

Sloop II

Electric Actuator



Via Circonvallazione, 10
13018 Valduggia (VC), Italy
Tel: +39 0163 47891
Fax: +39 0163 47895
www.vironline.com



Electric actuator with ISO 5211 connection
Double insulated cover according CEI/EN 60335-1
Max torque 15Nm, working torque 8Nm
Travel 90° in 60 seconds
Manual override, integral heater
F05 connection, stem connection $\square 9\text{mm}$ or $\square 11\text{mm}$
With 80cm electric wire
Enclosure protection IP65
CE compliant

Power supply 50Hz/60Hz, versions for 230VAC or 24VAC available
2 points (ON/OFF) or 3 points control
Available in the following versions:

- With auxiliary dry open limit switch (Max 230VC / 6A)
- With open and close limit switches connected to power supply

Working temperature: -10° to $+55^{\circ}\text{C}$



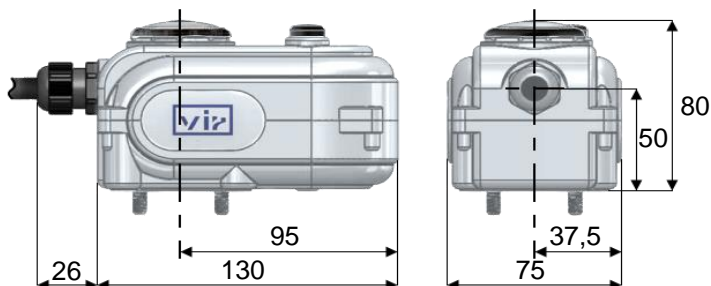
TECHNICAL DATA

VIR Code	P. Supply	Control	Torque	Travel Time [sec]	Power
KASLOOP24.800	230VAC	2 points	15Nm	60"	6W
KASLOOP28.800	230VAC	3 points	15Nm	60"	6W
KASLOOP32.800	230VAC	2 points	15Nm	60"	6W
KASLOOP34.800	230VAC	2 points*	14Nm	60"	6W
KASLOOP35.800	230VAC	2 points	6Nm	10"	8W
KASLOOP22.800	24VAC	2 points	15Nm	60"	6W
KASLOOP25.800	24VAC	3 points	15Nm	60"	6W
KASLOOP33.800	24VAC	2 points	15Nm	60"	6W
KASLOOP36.800	24VAC/DC	2/3 points	10Nm	60"	6W
KASLOOP37.800	24VAC	2/3 points	15Nm	60"	6W

*Available variants with thermal break (KASLOOP34.800)

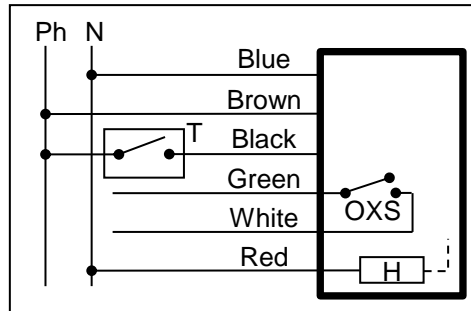
DIMENSIONS

Dimension in mm, weight 0,8kg

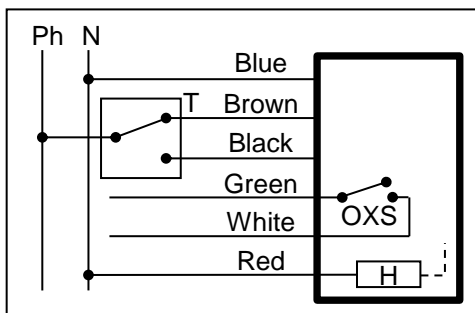


WIRING DIAGRAMS

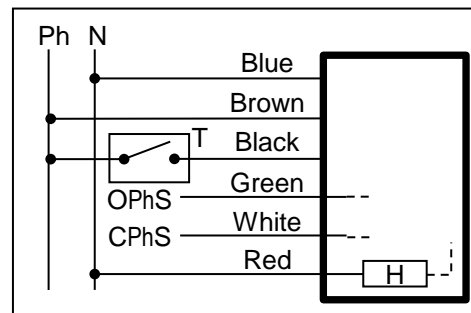
Ref.	Designation
OXS	Auxiliary open limit switch
OPhS	Phase on open actuator
CPhS	Phase on close actuator
T	Control switch (thermostat)
H	Integral heater
N	Wiring to neutral
Ph	Wiring to phase



KASLOOP22.800
 KASLOOP24.800
 KASLOOP34.800
 KASLOOP35.800



KASLOOP25.800
 KASLOOP28.800



KASLOOP32.800
 KASLOOP33.800



Via Circonvallazione, 10
 13018 Valduggia (VC), Italy
 Tel: +39 0163 47891
 Fax: +39 0163 47895
www.vironline.com