

# Sloop II

Electric Actuator



Via Circonvallazione, 10  
13018 Valduggia (VC), Italy  
Tel: +39 0163 47891  
Fax: +39 0163 47895  
www.vironline.com



Electric actuator with ISO 5211 connection  
Double insulated cover according CEI/EN 60335-1  
Max torque 15Nm, working torque 8Nm  
Travel 90° in 60 seconds  
Manual override, integral heater  
F05 connection, stem connection □9mm or □11mm  
With 80cm electric wire  
Enclosure protection IP65  
CE compliant

Power supply 50Hz/60Hz, versions for 230VAC or 24VAC available  
2 points (ON/OFF) or 3 points control  
Available in the following versions:  
• With auxiliary dry open limit switch (Max 230VC / 6A)  
• With open and close limit switches connected to power supply  
Working temperature: -10° to +55°C



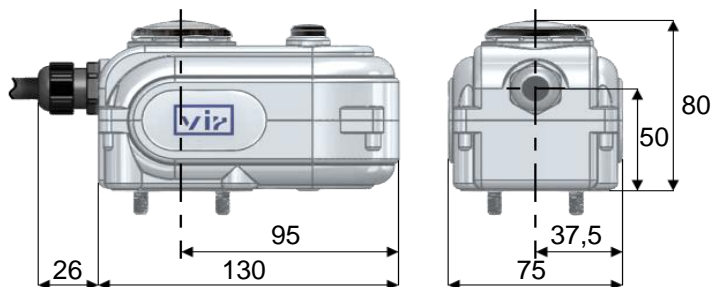
## TECHNICAL DATA

VIR Code	P. Supply	Control	Torque	Travel Time [sec]	Power
KASLOOP24.800	230VAC	2 points	15Nm	60"	6W
KASLOOP28.800	230VAC	3 points	15Nm	60"	6W
KASLOOP32.800	230VAC	2 points	15Nm	60"	6W
KASLOOP34.800	230VAC	2 points*	14Nm	60"	6W
KASLOOP35.800	230VAC	2 points	6Nm	10"	8W
KASLOOP22.800	24VAC	2 points	15Nm	60"	6W
KASLOOP25.800	24VAC	3 points	15Nm	60"	6W
KASLOOP33.800	24VAC	2 points	15Nm	60"	6W
KASLOOP36.800	24VAC/DC	2/3 points	10Nm	60"	6W
KASLOOP37.800	24VAC	2/3 points	15Nm	60"	6W

\*Available variants with thermal break (KASLOOP34.800)

## DIMENSIONS

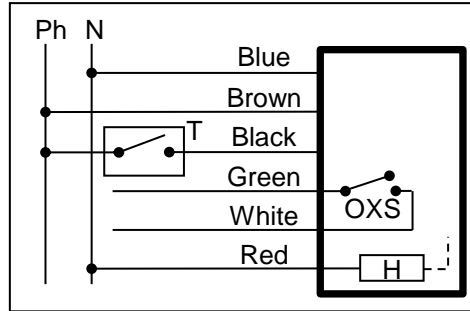
Dimension in mm, weight 0,8kg



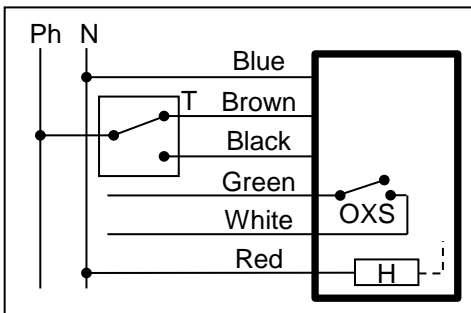
241128

# WIRING DIAGRAMS

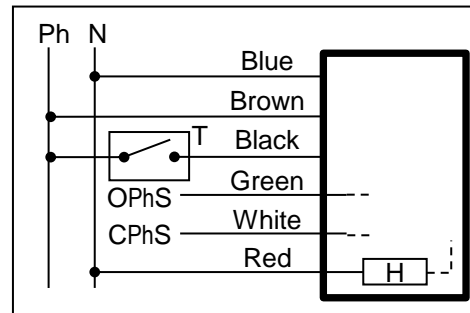
Ref.	Designation
OXS	Auxiliary open limit switch
OPhS	Phase on open actuator
CPhS	Phase on close actuator
T	Control switch (thermostat)
H	Integral heater
N	Wiring to neutral
Ph	Wiring to phase



KASLOOP22.800  
 KASLOOP24.800  
 KASLOOP34.800  
 KASLOOP35.800



KASLOOP25.800  
 KASLOOP28.800



KASLOOP32.800  
 KASLOOP33.800



Via Circonvallazione, 10  
 13018 Valduggia (VC), Italy  
 Tel: +39 0163 47891  
 Fax: +39 0163 47895  
 www.vironline.com