

# Accessory

Electro pneumatic positioner for pneumatic actuator



Via Circonvallazione, 10  
13018 Valduggia (VC), Italy  
Tel: +39 0163 47891  
Fax: +39 0163 47895  
www.vironline.com



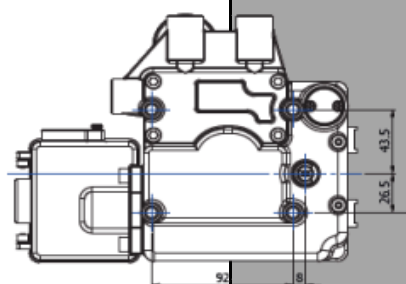
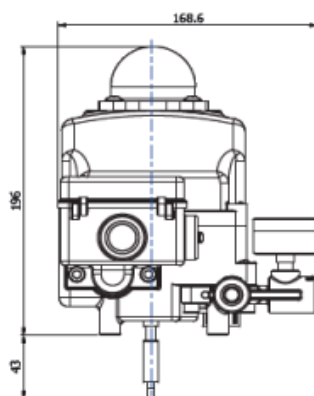
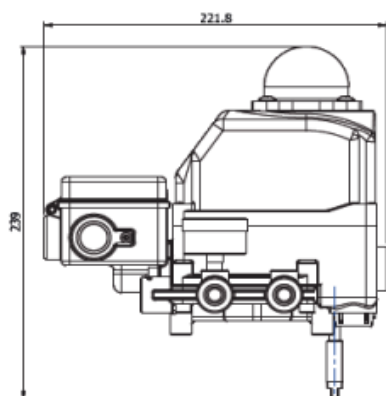
Electro pneumatic positioner for pneumatic actuator (travel 90°)  
Cast aluminum body  
Suitable for both double effect and spring return actuators  
n°2 limit switch SPDT  
(input signal 125 VAC, 3A - 30VDC, 2A)  
Easy and precise calibration with SPAN and ZERO adjustment  
Enclosure protection IP66

Supply voltage 10-30 VDC  
Input and output control signal: 4-20 mA  
Proportional control  
NAMUR VDI/VDE 3845 connection for actuator  
Air connection 1/4" NPT  
Gauge connection 1/8" NPT  
Allowable supply fluid pressures from 1,4bar to 7bar  
Working temperature: -20°C to +70°C.



## DIMENSIONS

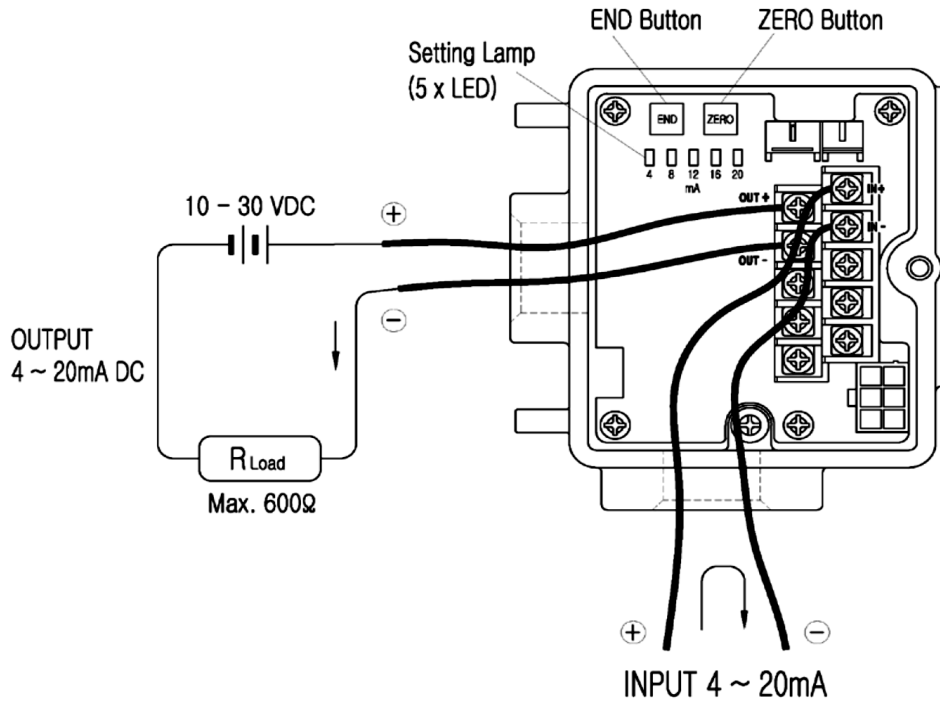
Dimension in mm  
Weight 2,8kg.



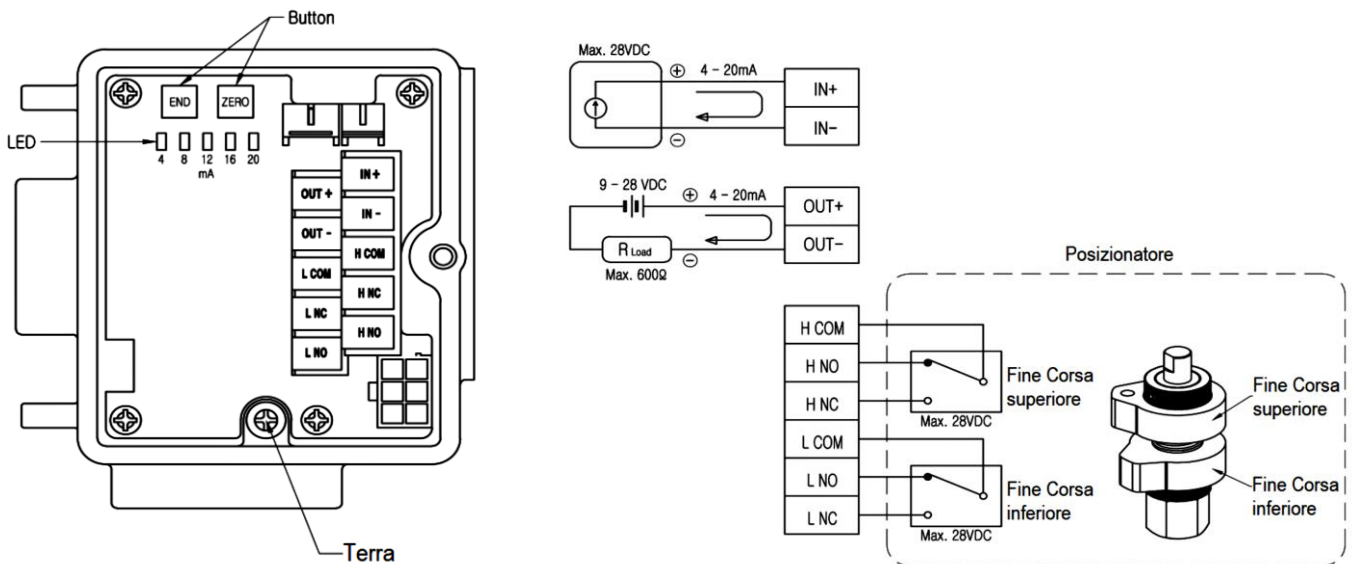
The positioner operates on the force-balance principle by comparing standard signal transmitted from a controller device with the angular rotation on the stem which conveys a positioning amplified pressure

# ELECTRICAL DIAGRAM

Actuator connection diagram with position transmitter.



Actuator connection diagram with limit switch.



®