

Cutter-ENO

Electric Actuator for Oenology



Via Circonvallazione, 10
13018 Valduggia (VC), Italy
Tel: +39 0163 47891
Fax: +39 0163 47895
www.vironline.com



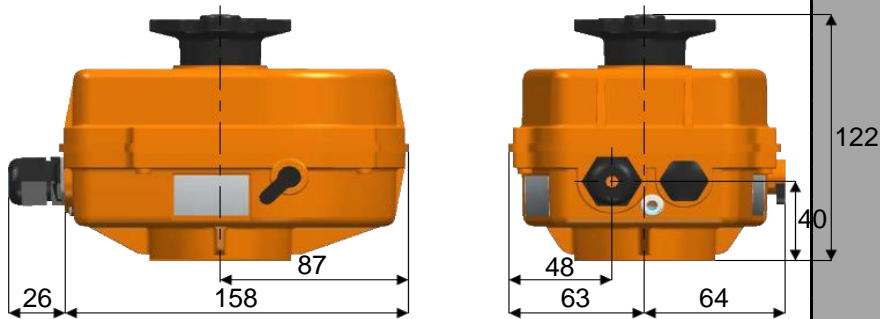
Electric actuator for oenology with ISO 5211 connection
Max torque 11Nm
Travel 90° in 50 seconds
Manual override, integral heater
F05 connection, stem connection □9mm
With ISO M20 electric connection
Enclosure protection IP67
Optional stainless steel ext. kit, stem in 2-pcs with plastic insert
CE compliant

Power supply 50Hz 24VAC, power 5W
2 points (ON/OFF) and 3 points control
With auxiliary open and close limit switches
Working temperature: -10° to +45°C



DIMENSIONS

Dimension in mm, weight 1,2kg



WIRING DIAGRAMS

Ref.	Designation
OXS	Auxiliary open limit switch
CXS	Auxiliary close limit switch
OPhS	Phase on open actuator
CPhS	Phase on close actuator
N	Wiring to neutral
Ph	Wiring to phase
T/E	Earth

Warning, before wiring the actuator please verify that the jumper for command selection is appropriately set.

