

Cutter-AQ

Electric Actuator



Via Circonvallazione, 10
13018 Valduggia (VC), Italy
Tel: +39 0163 47891
Fax: +39 0163 47895
www.vironline.com



Electric actuator with ISO 5211 connection
Torque range between 15Nm and 4300Nm
Manual override
Travel 90°, travel time between 13 and 152 seconds
Electric connections 2 x ISO M20
Enclosure protection IP68
CE compliant

Available in the following versions:

- Multivolt 85-260VAC and 24VDC
 - 220/230 VAC, 400VAC, 24VDC
- Suitable for 50Hz or 60Hz power supply

3 points control
2 adjustable limit switches (250VAC-5A or 48VDC-2,5A)
Torque limiter (for AQ25 and above)
Working temperature: -20° to +60°C



CE

TECHNICAL DATA

Mod. SWITCH ON/OFF

| VIR code | Model | P. Supply | Torque | Power | Tra. time |
|---------------|-------|-------------------|--------|-------|-----------|
| KACUTAQ00.800 | AQ1L | 85-260VAC o 24VDC | 15Nm | 20W | 13 sec. |
| KACUTAQ01.800 | AQ3L | 85-260VAC o 24VDC | 30Nm | 20W | 15 sec. |
| KACUTAQ02.800 | AQ7L | 85-260VAC o 24VDC | 70Nm | 20W | 15 sec. |
| KACUTAQ03.800 | AQ10 | 220/230VAC | 100Nm | 15W | 25 sec. |
| KACUTAQ04.800 | AQ15 | 220/230VAC | 150Nm | 30W | 30 sec. |
| KACUTAQ05.800 | AQ25 | 220/230VAC | 250Nm | 40W | 30 sec. |
| KACUTAQ06.800 | AQ30 | 220/230VAC | 300Nm | 40W | 35 sec. |
| KACUTAQ07.800 | AQ50 | 220/230VAC | 500Nm | 60W | 35 sec. |
| KACUTAQ11.800 | AQ80 | 220/230VAC | 840Nm | 150W | 18 sec. |
| KACUTAQ12.800 | AQ200 | 220/230VAC | 2200Nm | 150W | 55 sec. |
| KACUTAQ13.800 | AQ430 | 220/230VAC | 4300Nm | 150W | 152 sec. |
| KACUTAQ14.800 | AQ80 | 400VAC | 840Nm | 150W | 18 sec. |
| KACUTAQ15.800 | AQ200 | 400VAC | 2200Nm | 150W | 55 sec. |
| KACUTAQ16.800 | AQ430 | 400VAC | 4300Nm | 150W | 152 sec. |
| KACUTAQ08.800 | AQ10 | 24VDC | 100Nm | 30W | 25 sec. |
| KACUTAQ09.800 | AQ15 | 24VDC | 150Nm | 30W | 30 sec. |
| KACUTAQ10.800 | AQ25 | 24VDC | 250Nm | 50W | 30 sec. |
| KACUTAQ17.800 | AQ30 | 24VDC | 300Nm | 40W | 30 sec. |
| KACUTAQ18.800 | AQ50 | 24VDC | 500Nm | 60W | 35 sec. |
| KACUTAQ19.800 | AQ80 | 24VDC | 800Nm | 150W | 55 sec. |

Mod. KACUTAQ00.800 and KACUTAQ01.800 with included spacer CADCUTF7V.143

Mod. KACUTAQ02.800 and KACUTAQ03.800 with included spacer CADCUTF70.143



Mod.
AQ1L
AQ3L
AQ7L



Mod.
AQ10
AQ15
AQ25
AQ30
AQ50

Mod. LOGIC / Positioner

| | | | | | |
|---------------|--------|-------------------|--------|------|----------|
| KACUTAQ20.800 | AQ1M | 85-260VAC o 24VDC | 15Nm | 20W | 13 sec. |
| KACUTAQ21.800 | AQ3M | 85-260VAC o 24VDC | 30Nm | 20W | 15 sec. |
| KACUTAQ22.800 | AQ7M | 85-260VAC o 24VDC | 70Nm | 20W | 15 sec. |
| KACUTAQ23.800 | AQ10M | 220/230VAC | 100Nm | 15W | 25 sec. |
| KACUTAQ24.800 | AQ15M | 220/230VAC | 150Nm | 30W | 30 sec. |
| KACUTAQ25.800 | AQ25M | 220/230VAC | 250Nm | 40W | 30 sec. |
| KACUTAQ26.800 | AQ30M | 220/230VAC | 300Nm | 40W | 35 sec. |
| KACUTAQ27.800 | AQ50M | 220/230VAC | 500Nm | 60W | 35 sec. |
| KACUTAQ28.800 | AQ10M | 24VDC | 100Nm | 15W | 25 sec. |
| KACUTAQ29.800 | AQ15M | 24VDC | 150Nm | 30W | 30 sec. |
| KACUTAQ30.800 | AQ25M | 24VDC | 250Nm | 40W | 30 sec. |
| KACUTAQ31.800 | AQ80M | 220/230VAC | 800Nm | 150W | 55 sec. |
| KACUTAQ32.800 | AQ200M | 220/230VAC | 2200Nm | 150W | 55 sec. |
| KACUTAQ33.800 | AQ430M | 220/230VAC | 4300Nm | 150W | 152 sec. |



LOGIC
Mod.
AQ10
AQ15
AQ25
AQ30

PRODUCT COMPATIBILITY

| VIR code | Fig. | 4020-4025-4029-402W 4320-4325-4329-432W |
|----------|------|--|
|----------|------|--|

| |
|------|
| 4520 |
| 4560 |

| | |
|---------------|---------------------|
| KACUTAQ00.800 | DN32-DN40-DN50-DN65 |
| KACUTAQ01.800 | DN80 |
| KACUTAQ02.800 | DN100-DN125 |
| KACUTAQ20.800 | DN32-DN40-DN50-DN65 |
| KACUTAQ21.800 | DN80 |
| KACUTAQ22.800 | DN100-DN125 |

| | |
|-----------|--------------------|
| - | 85-260VAC 14VDC |
| DN50 | |
| DN65-DN80 | |
| - | |
| DN50 | |
| DN65-DN80 | |

| | |
|---------------|-------------------|
| KACUTAQ03.800 | DN150 |
| KACUTAQ04.800 | - |
| KACUTAQ05.800 | DN200 |
| KACUTAQ06.800 | DN250 |
| KACUTAQ07.800 | DN300 |
| KACUTAQ11.800 | DN350 |
| KACUTAQ12.800 | DN400-DN450-DN500 |
| KACUTAQ13.800 | DN600 |
| KACUTAQ23.800 | DN150 |
| KACUTAQ24.800 | - |
| KACUTAQ25.800 | DN200 |
| KACUTAQ26.800 | DN250 |
| KACUTAQ27.800 | DN250-DN300 |
| KACUTAQ28.800 | DN150 |
| KACUTAQ29.800 | - |
| KACUTAQ30.800 | DN200 |
| KACUTAQ31.800 | DN350 |
| KACUTAQ32.800 | DN400-DN450-DN500 |
| KACUTAQ33.800 | DN600 |

| | |
|-------|--------|
| DN100 | 230VAC |
| DN125 | |
| DN150 | |
| - | |
| DN200 | |
| DN250 | |
| DN300 | |
| - | |
| DN100 | |
| DN125 | |
| DN150 | |
| - | |
| DN200 | |
| DN100 | |
| DN125 | |
| DN150 | |
| - | |
| - | |

| | |
|---------------|-------------------|
| KACUTAQ14.800 | DN350 |
| KACUTAQ15.800 | DN400-DN450-DN500 |
| KACUTAQ16.800 | DN600 |

| | |
|-------|--------|
| DN250 | 400VAC |
| DN300 | |
| - | |

| | |
|---------------|-------|
| KACUTAQ08.800 | DN150 |
| KACUTAQ09.800 | - |
| KACUTAQ10.800 | DN200 |
| KACUTAQ17.800 | DN250 |
| KACUTAQ18.800 | - |
| KACUTAQ19.800 | DN350 |

| | |
|-------|-------|
| DN100 | 24VDC |
| DN125 | |
| DN150 | |
| - | |
| - | |
| DN250 | |

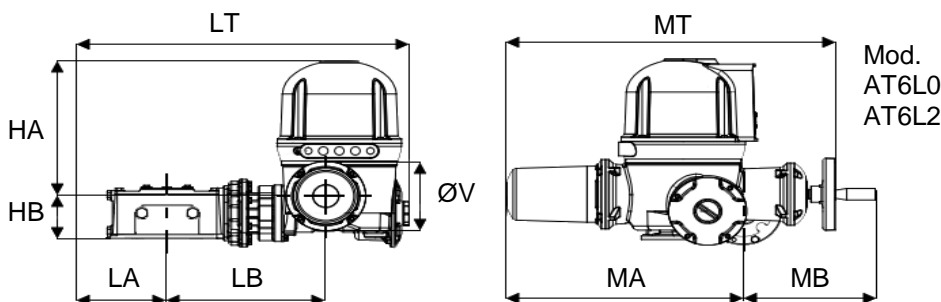
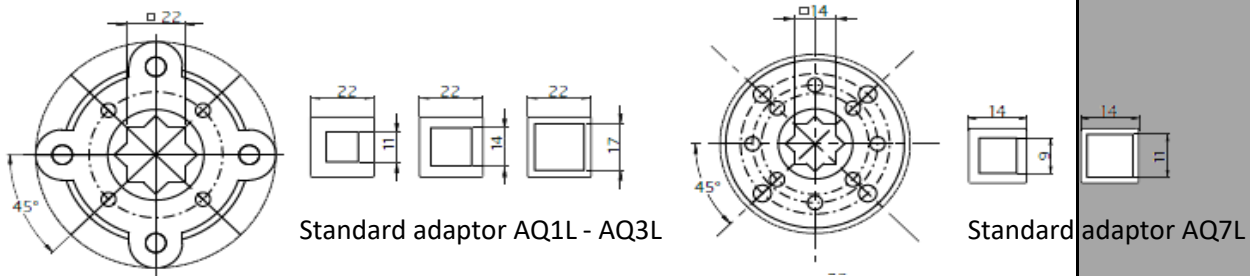
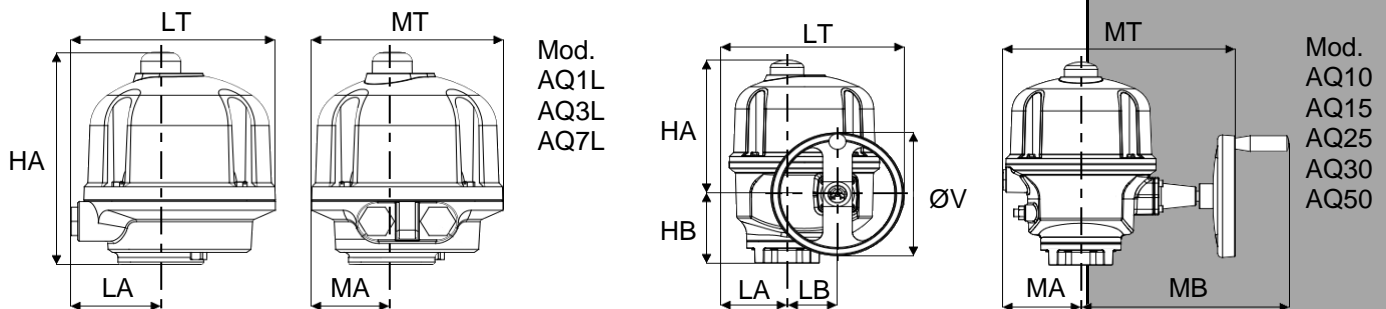
Mod. AQ30+adapter KA0022X17.2024

DIMENSIONS

| Model | Flange | Connection [mm] | Weight [kg] |
|-------|---------------------------------|--------------------|-------------|
| AQ1L | F03, F04, F05, F07 ¹ | □9, □11, ⌀14 | 2,5 |
| AQ3L | F03, F04, F05, F07 ¹ | □9, □11, ⌀14 | 2,5 |
| AQ7L | F05, F07 | □11, □14, □17, ⌀22 | 3,5 |
| AQ10 | F05, F07 | □14 | 10 |
| AQ15 | F05, F07 | □14 | 10 |
| AQ25 | F07, F10 | □17 | 13 |
| AQ30 | F07, F10 | □17 | 15 |
| AQ50 | F07, F10 | □22 | 15 |
| AQ80 | F10, F12 | □24 | 18 |
| AQ200 | F16 | □27 | 48 |
| AQ430 | F16 | □36 | 58 |

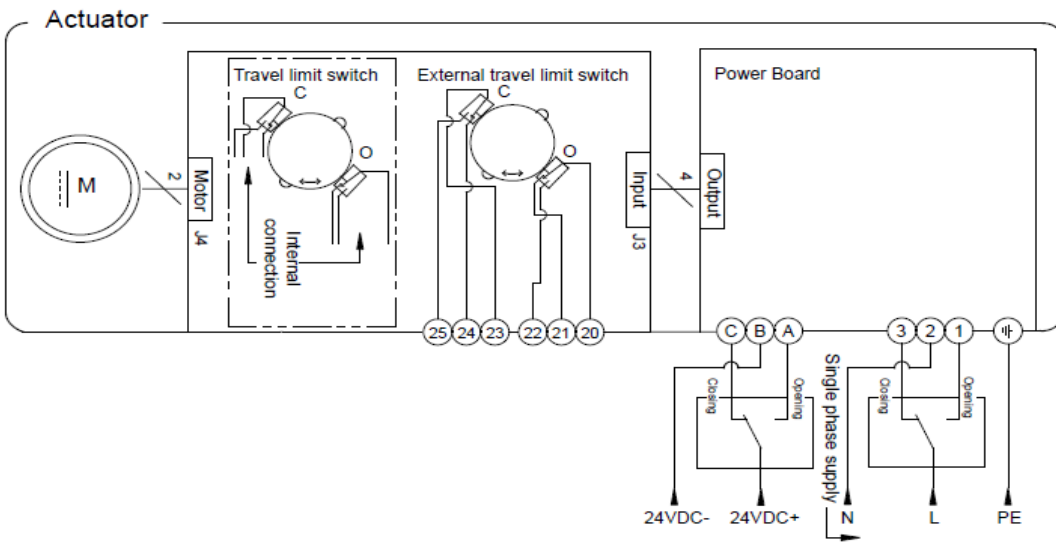
¹Included adapters

| Model | LA [mm] | LB [mm] | LT [mm] | MA [mm] | MB [mm] | MT [mm] | HA [mm] | HB [mm] | ØV [mm] |
|-------|---------|---------|---------|---------|---------|---------|---------|---------|---------|
| AQ1L | 67 | - | 150 | 60 | - | 145 | 175 | - | - |
| AQ3L | 67 | - | 150 | 60 | - | 145 | 175 | - | - |
| AQ7L | 67 | - | 150 | 60 | - | 145 | 195 | - | - |
| AQ10 | 74 | 60 | 184 | 96 | 184 | 230 | 290 | 82 | 100 |
| AQ15 | 74 | 60 | 184 | 96 | 184 | 230 | 290 | 82 | 100 |
| AQ25 | 86 | 74 | 225 | 117 | 248 | 315 | 320 | 102 | 100 |
| AQ30 | 86 | 74 | 260 | 117 | 310 | 350 | 320 | 111 | 160 |
| AQ50 | 86 | 94 | 260 | 117 | 310 | 347 | 320 | 111 | 200 |
| AQ80 | 86 | 75 | 286 | 117 | 310 | 347 | 216 | 149 | 250 |
| AQ200 | 115 | 307 | 582 | 360 | 354 | 634 | 339 | 75 | 160 |
| AQ430 | 127 | 350 | 637 | 256 | 458 | 634 | 339 | 75 | 160 |

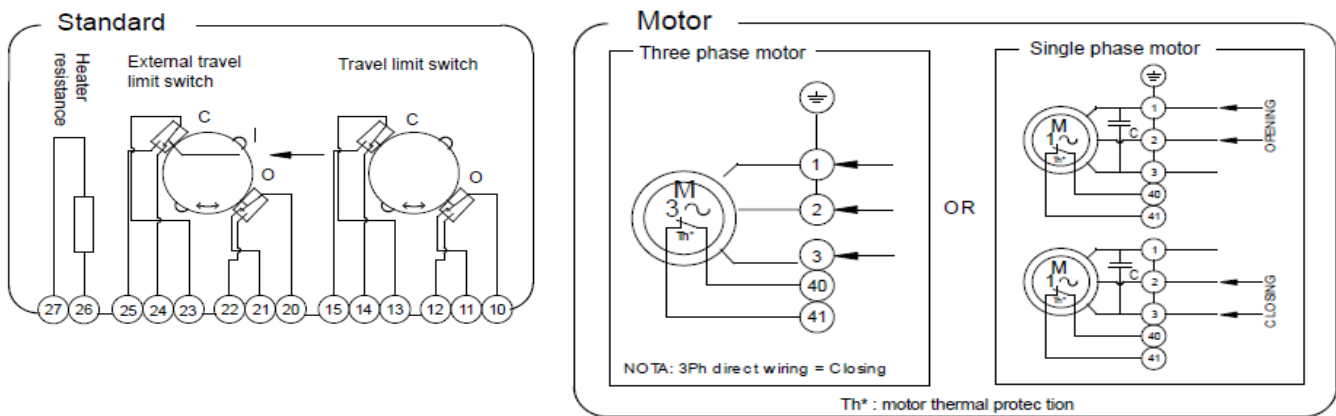


WIRING DIAGRAMS

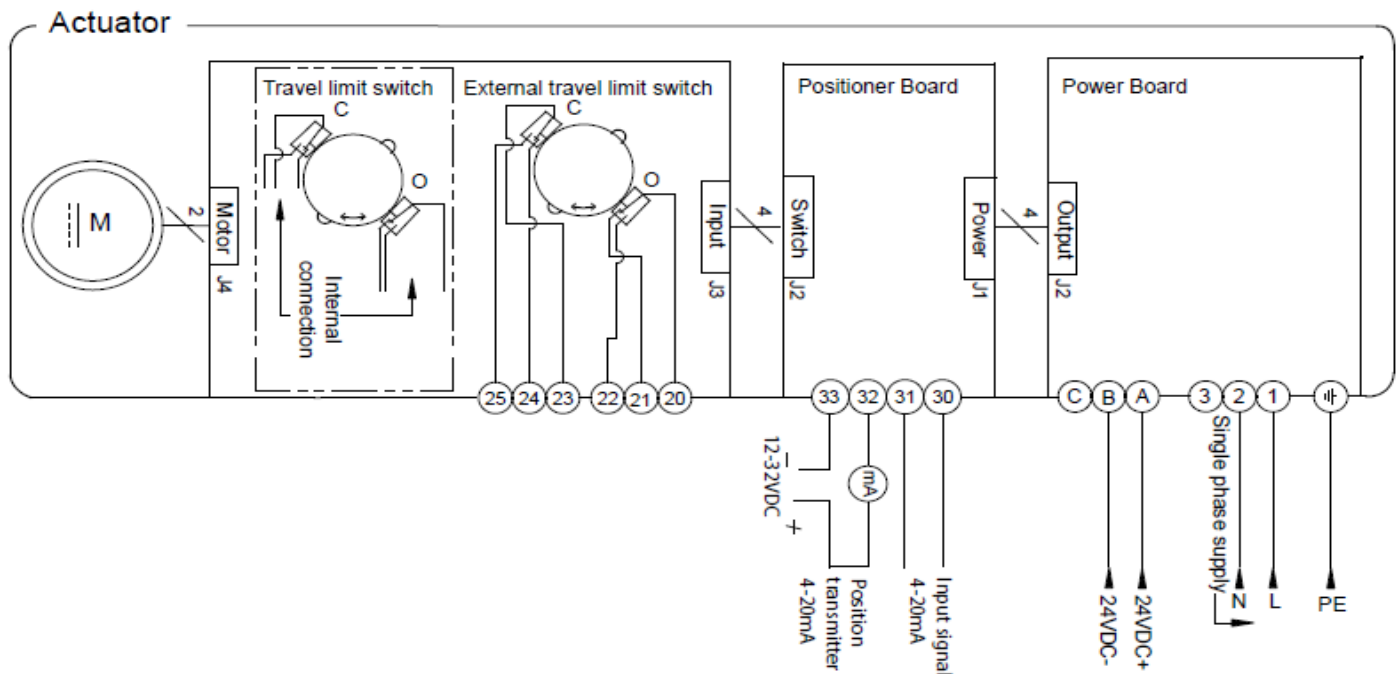
Wiring diagram for Mod. KACUTAQ00.800 - KACUTAQ01.800 - KACUTAQ02.800



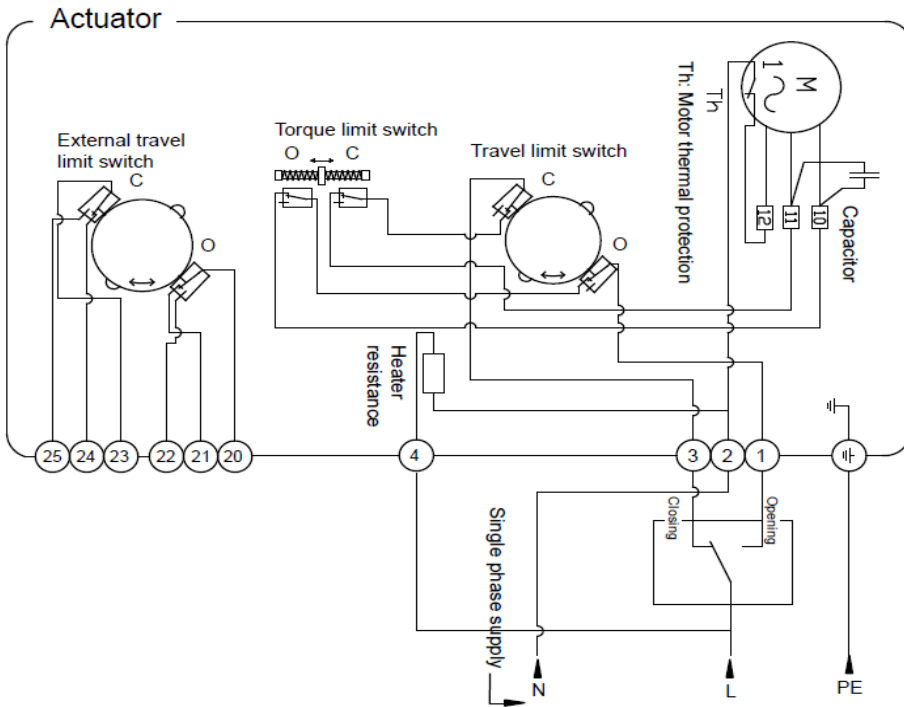
Wiring diagram for Mod. KACUTAQ03.800 - KACUTAQ04.800



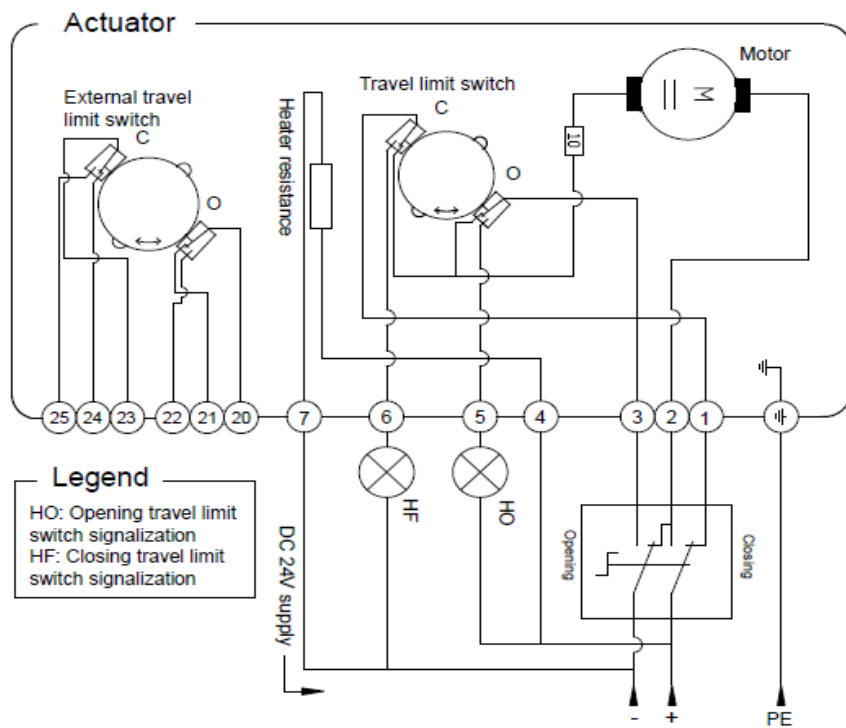
Wiring diagram for Mod. KACUTAQ20.800 - KACUTAQ21.800 - KACUTAQ22.800



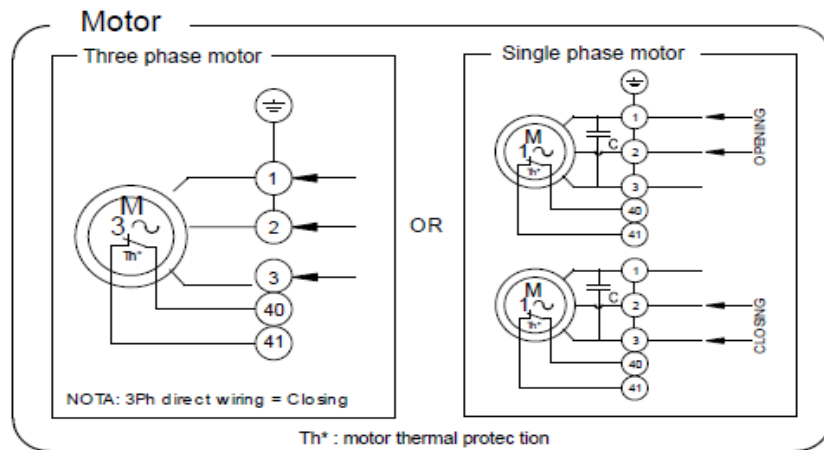
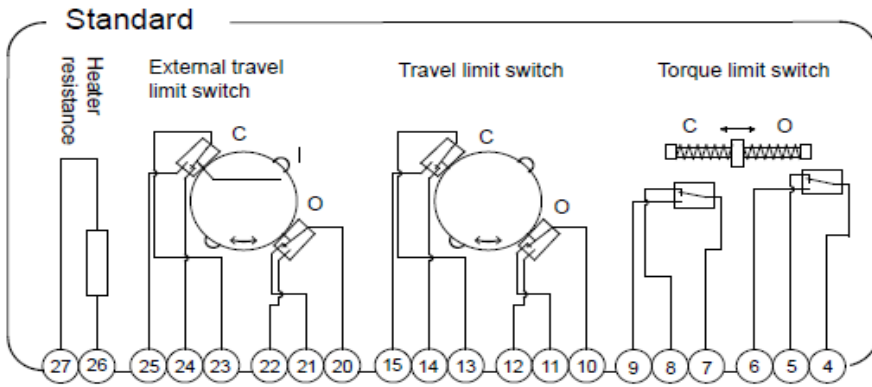
Wiring diagram for Mod. KACUTAQ05.800 - KACUTAQ06.800 - KACUTAQ07.800



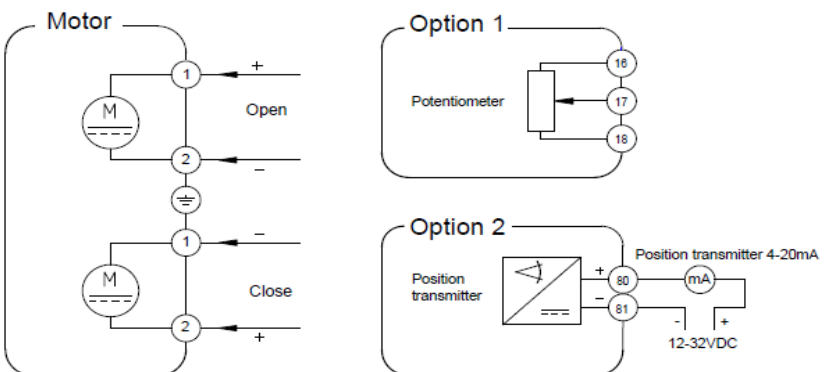
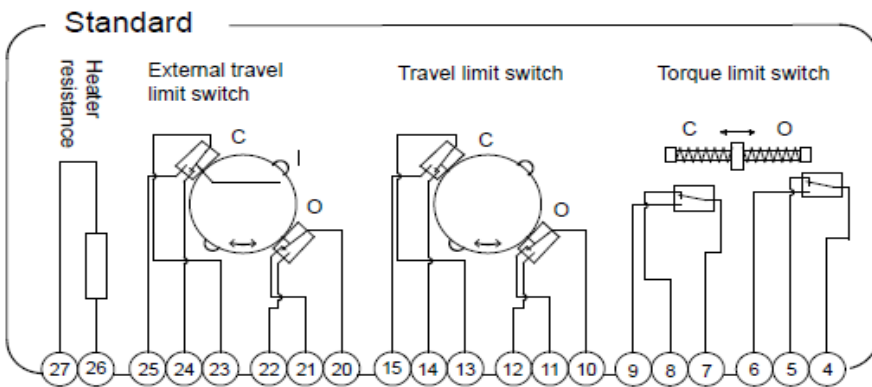
Wiring diagram for Mod. KACUTAQ08.800 - KACUTAQ09.800 - KACUTAQ10.800



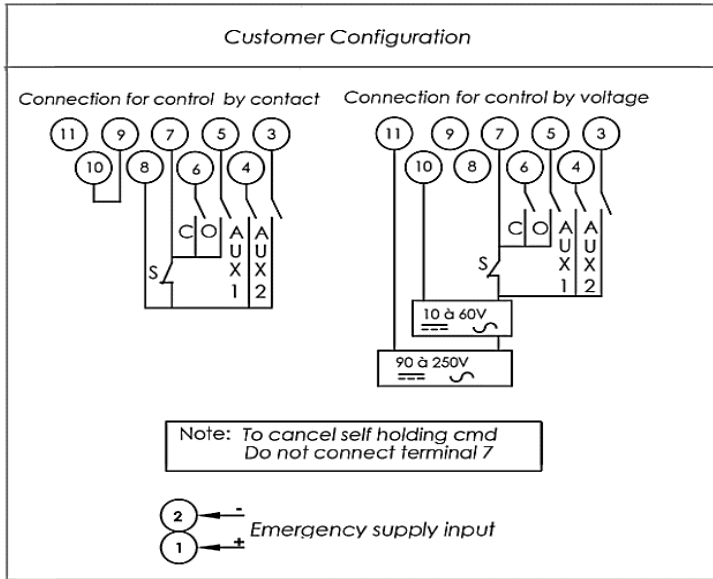
Wiring diagram for Mod. KACUTAQ11.800 - KACUTAQ12.800 - KACUTAQ13.800 - KACUTAQ14.800
KACUTAQ15.800 - KACUTAQ16.800



Wiring diagram for Mod. KACUTAQ17.800 - KACUTAQ18.800 - KACUTAQ19.800

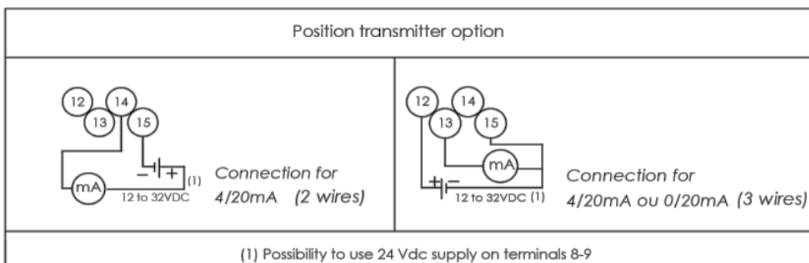
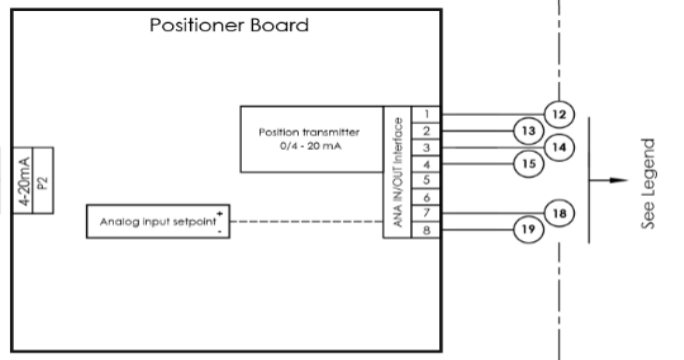
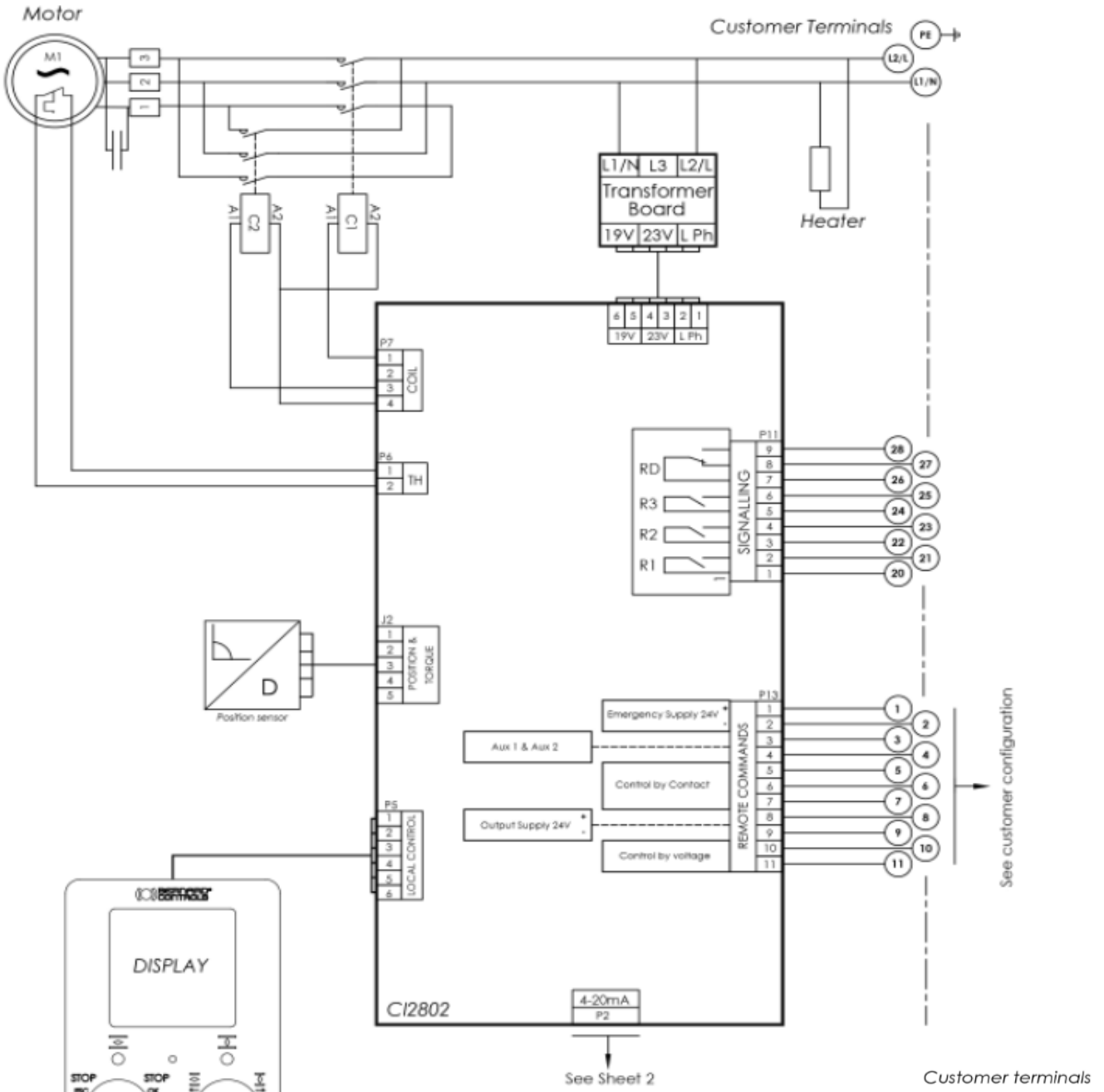


Common wiring legend only for Mod. KACUTAQ23.800 - KACUTAQ24.800 - KACUTAQ25.800 -
 KACUTAQ26.800 - KACUTAQ27.800 - KACUTAQ28.800 -
 KACUTAQ29.800 - KACUTAQ30.800

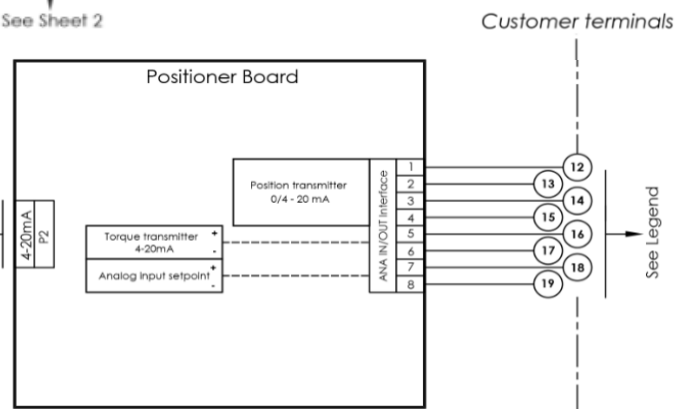
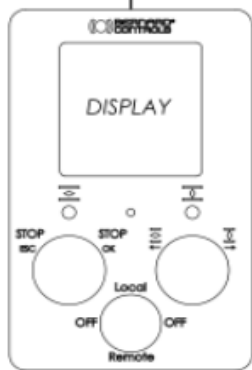
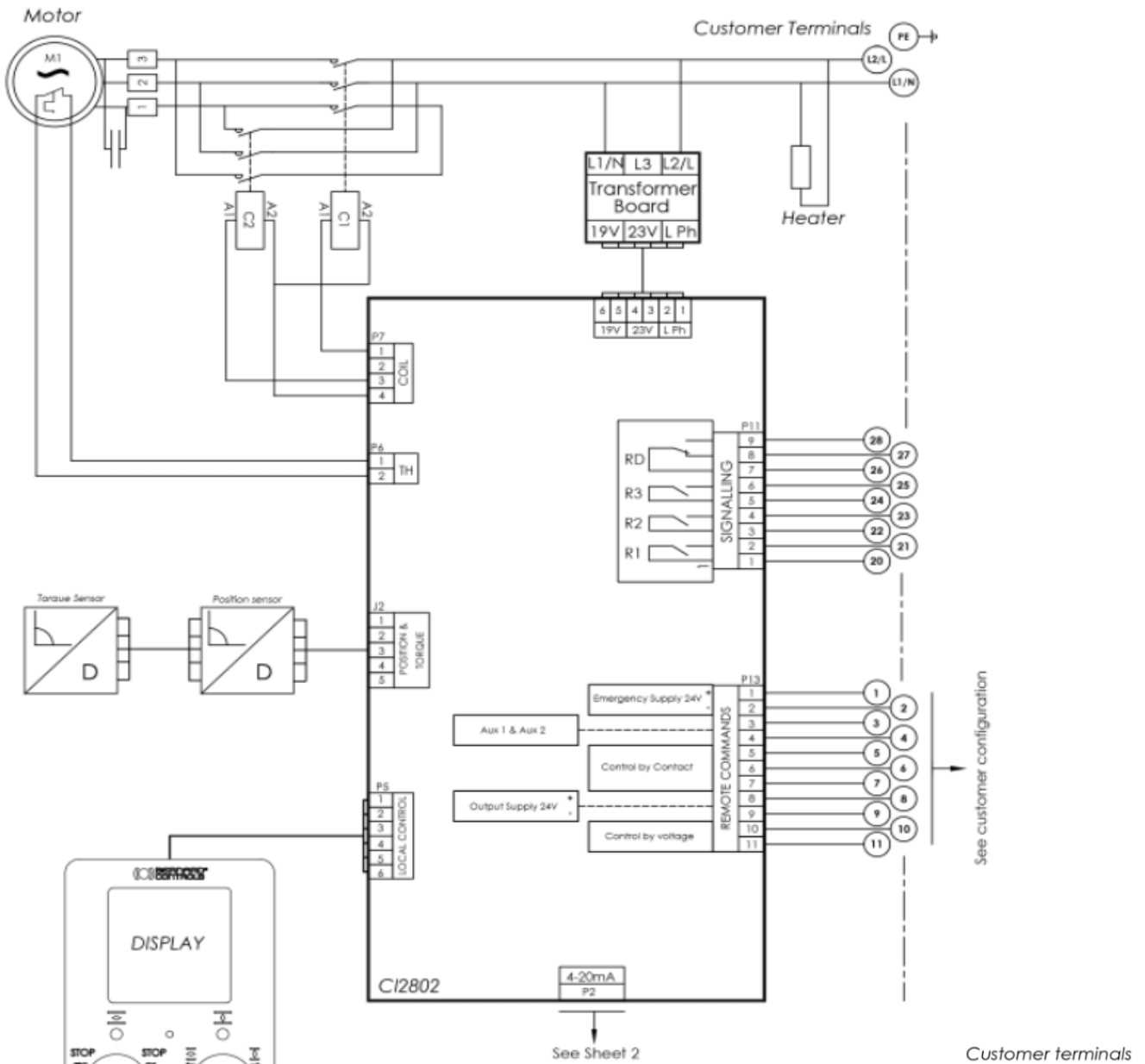


| | |
|------|--|
| Aux1 | Configurable command |
| Aux2 | Configurable command |
| C | Closing command |
| O | Opening command |
| S | Stop |
| TH | Thermal protection |
| R1 | Valve open |
| R2 | Valve closed |
| R3 | Configurable relay |
| RD | Fault relay terminal 26-28 closed actuator available |

Wiring diagram for Mod. KACUTAQ23.800 - KACUTAQ24.800



Wiring diagram for Mod. KACUTAQ25.800 - KACUTAQ26.800 - KACUTAQ27.800
KACUTAQ31.800 - KACUTAQ32.800



| Torque transmitter option | Position transmitter option / Option recopie de position | |
|---|---|---|
| <p>12 to 32VDC (1)</p> | <p>12 to 32VDC (1)</p> <p>Connection for 4/20mA (2 wires)</p> | <p>12 to 32VDC (1)</p> <p>Connection for 4/20mA ou 0/20mA (3 wires)</p> |
| (1) Possibility to use 24 Vdc supply on terminals 8-9 | | |

Wiring diagram for Mod. KACUTAQ28.800 - KACUTAQ29.800 - KACUTAQ30.800

