

9594

Variable Orifice Stainless Steel Balancing Ball Valve



Via Circonvallazione, 10
13018 Valduggia (VC), Italy
Tel: +39 0163 47891
Fax: +39 0163 47895
www.vironline.com



®

Welding ends variable orifice stainless steel balancing ball valve
With knob for DN15 up to DN50 and flanged from DN65 to DN250
TR CU 010 compliant

PN25 for DN≤50 (Max 25bar up to 131°C, max 0bar at 200°C)
PN16 for DN≥65 (Max 16bar up to 156°C, max 0bar at 200°C)
Free of CE marking for DN≤32 (cat. according to Art. 4.3 Dir. 2014/68/EU)

Working conditions:

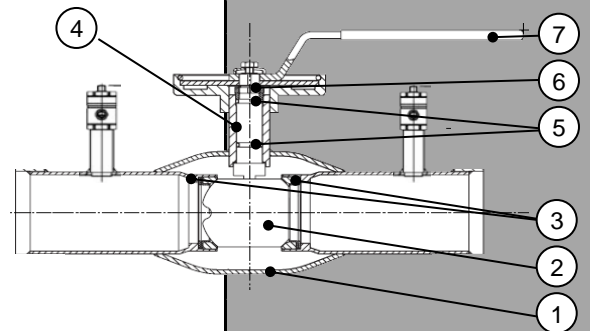
- Suitable for: water, -10°C to +200°C
below 0°C only for water with added antifreeze fluids
over 100°C only for water with added anti-boiling fluids
- Not suitable for: gases group 1 & 2, liquids group 1 (Dir. 2014/68/UE)



PARTLIST

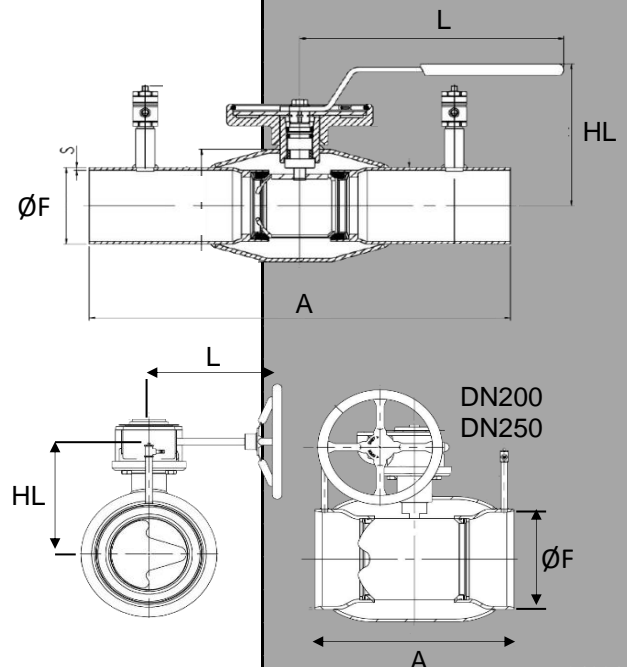
N.	Part	Material	Norm
1	Body	Stainless steel AISI316L	X2CrNiMo17-12-2
2	Ball	Stainless steel AISI316L	X2CrNiMo17-12-2
3	Seat	PTFE+graphite	-
4	Stem	Stainless steel AISI316L	X2CrNiMo17-12-2
5	O-ring	FPM/NBR	-
6	Gasket	PTFE+GF	-
7	Handle ¹	Stainless steel AISI316L ¹	X2CrNiMo17-12-2

¹with precision control knob DN 15-50 and with manual gear for DN200-250



DIMENSIONS

DN	ØF [mm]	S [mm]	A [mm]	L [mm]	HL [mm]	Peso [kg]
015	21,3	2,0	230	140	101	0,7
020	26,9	2,0	230	140	105	0,8
025	33,7	2,0	230	150	107	1,0
032	42,4	2,0	260	150	111	1,4
040	48,3	2,6	260	190	116	1,9
050	60,3	2,6	300	190	123	2,6
065	76,1	3,0	300	280	154	4,4
080	88,9	3,0	300	280	166	5,4
100	114,3	3,0	325	280	173	7,7
125	139,7	4,0	325	400	221	15,5
150	168,3	4,0	350	600	240	16,1
200	219,1	4,0	400	270	244	38
250	273,0	4,0	530	300	294	74



240918

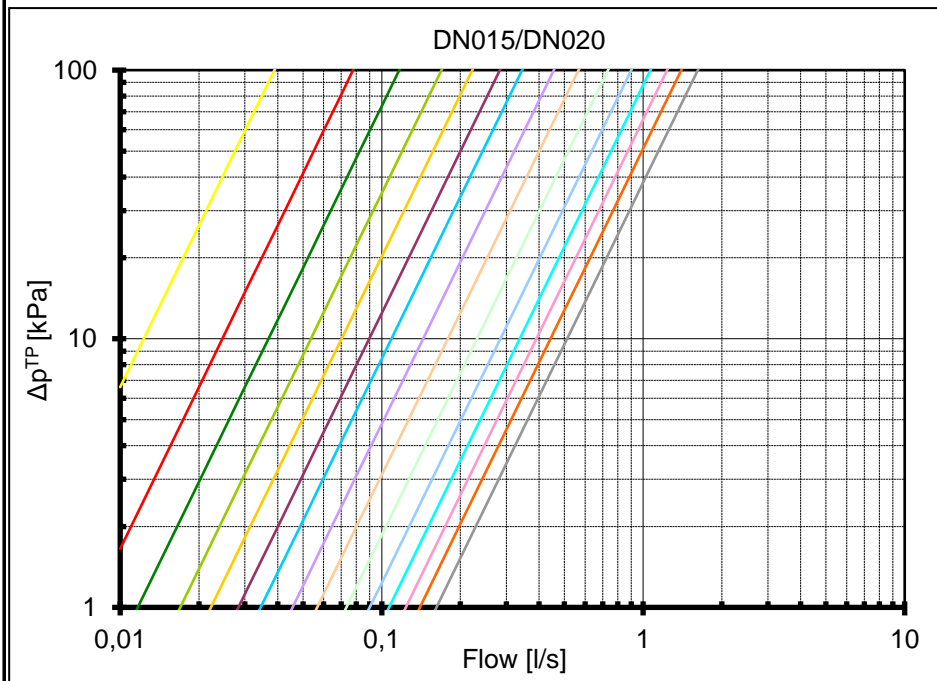
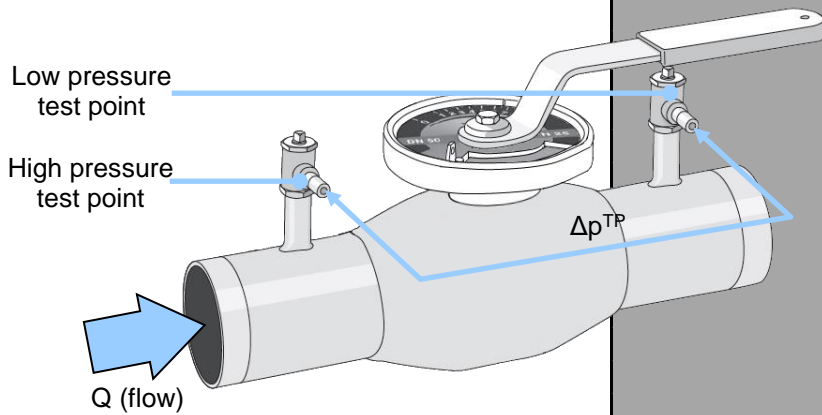
FLOW MEASUREMENT

Valve regulation	K _v [m ³ /h @ 1bar]											
	015/020	025	032	040	050	065	080	100	125	150	200	250
1,0	-	-	0,39	0,60	1,26	2,52	3,42	6,48	8,60	13,68	19,70	35,00
1,5	-	0,35	0,57	1,01	1,80	3,64	5,37	9,47	13,32	20,16	29,00	51,20
2,0	0,14	0,49	0,83	1,48	2,70	4,75	7,31	12,46	18,00	26,64	38,40	66,50
2,5	0,28	0,99	1,08	2,02	3,55	6,34	10,23	16,28	24,30	35,46	51,10	90,00
3,0	0,42	1,36	1,44	2,70	4,39	7,92	13,14	20,09	30,60	44,28	63,80	110,0
3,5	0,61	1,66	1,80	3,24	5,61	9,78	16,11	24,45	37,80	55,08	79,30	140,0
4,0	0,80	2,00	2,30	3,96	6,84	11,63	19,08	28,84	45,00	65,88	95,00	165,0
4,5	1,02	2,40	2,74	4,86	8,34	14,15	23,31	35,82	55,26	84,06	121,0	215,0
5,0	1,24	3,00	3,42	5,98	9,83	16,67	27,54	42,84	65,52	102,2	147,0	260,0
5,5	1,64	3,50	4,21	7,18	11,94	20,94	33,21	51,84	81,72	127,1	183,0	325,0
6,0	2,04	4,50	5,11	8,57	14,04	25,20	38,88	60,84	97,92	151,9	219,0	380,0
6,5	2,64	5,10	5,97	10,15	16,92	29,52	46,26	75,42	121,9	196,6	282,0	500,0
7,0	3,24	6,70	7,27	12,31	19,80	33,84	53,64	90,00	145,8	241,2	325,0	576,0
7,5	3,84	7,30	8,64	14,40	23,40	39,78	64,62	113,4	177,3	289,8	417,0	740,0
8,0	4,45	9,30	10,08	17,64	27,00	45,72	75,60	136,8	208,8	338,4	486,0	866,0
8,5	5,04	10,00	11,52	20,88	30,60	53,46	91,80	169,2	251,3	399,8	576,0	1020
9,0	5,83	12,65	13,14	22,57	34,20	61,20	108,0	216,0	293,8	460,8	660,0	1170

$$Q = \frac{K_v \cdot \sqrt{\Delta p^{TP}}}{36}$$

Formula linking flow Q (in l/s) and Δp measured at test points (in kPa). K_v depends on handle / gear regulation as indicated on table.

Minimum flow that can be measured for each diameter may be calculated by using in the formula minimum Δp that can be measured by used manometer.

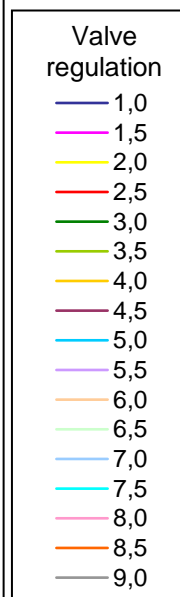
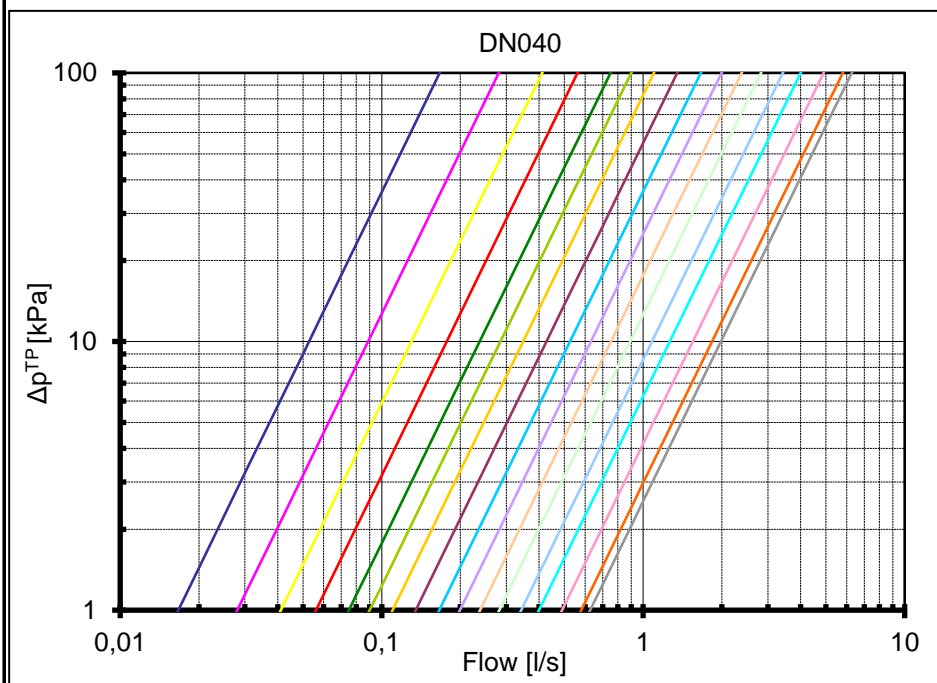
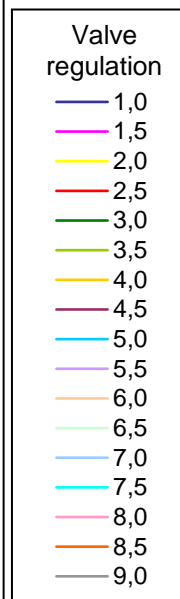
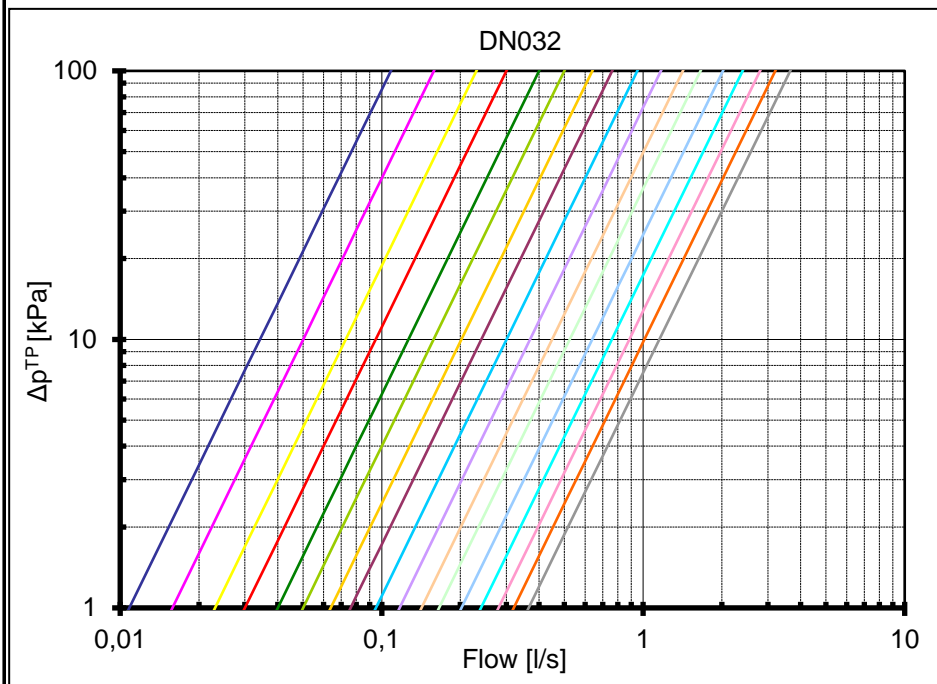
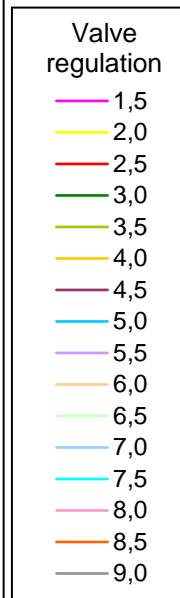
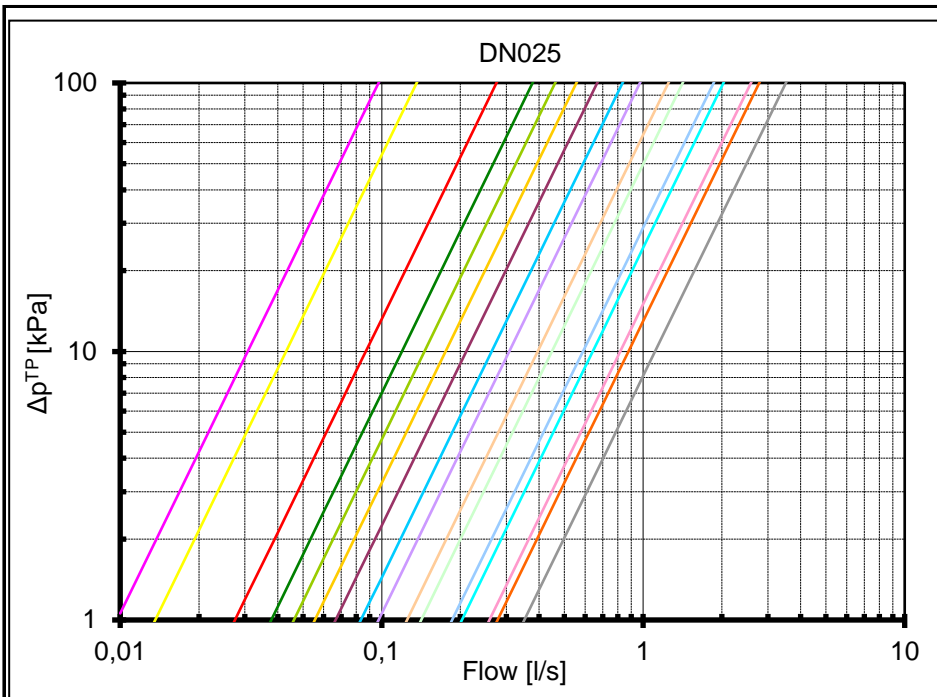


Valve regulation

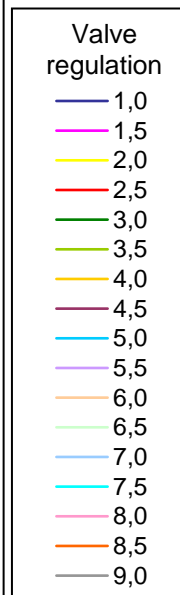
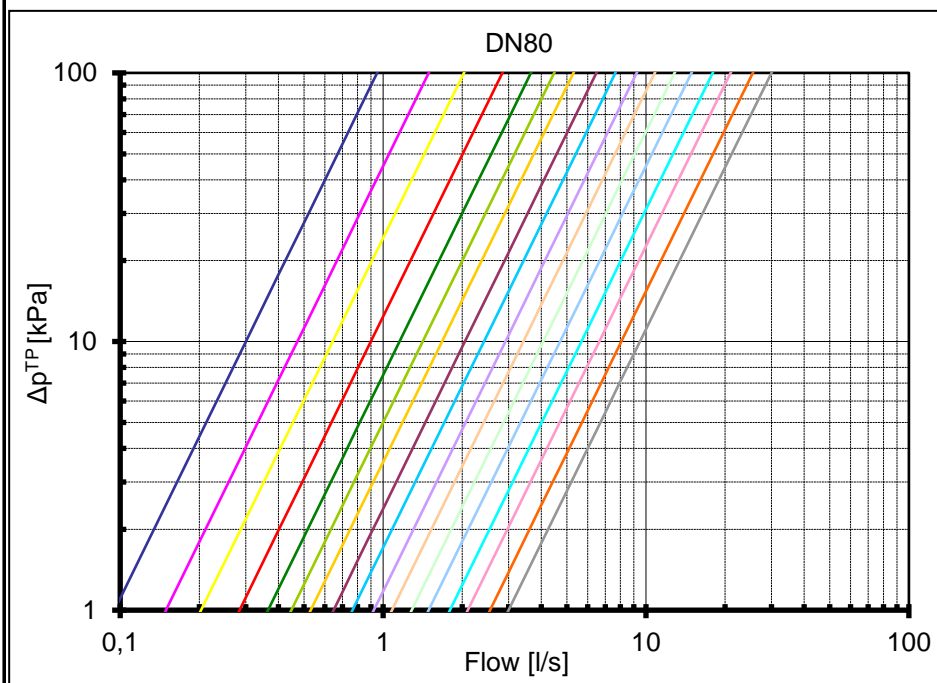
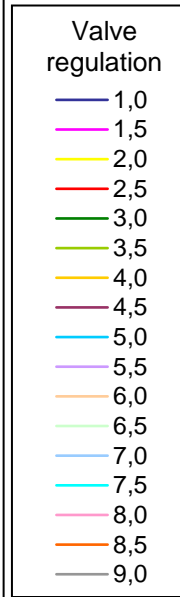
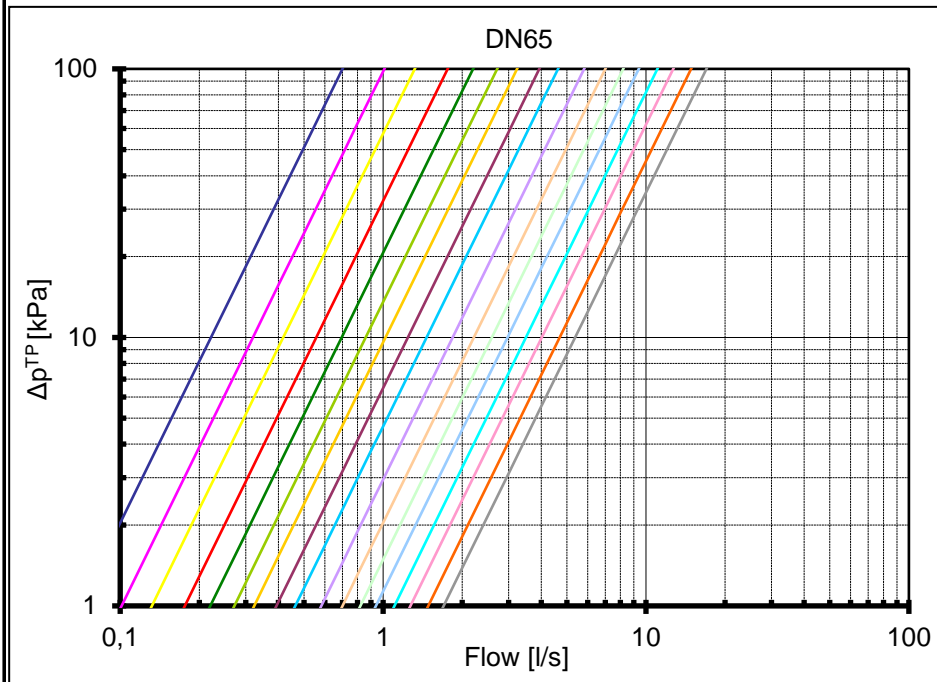
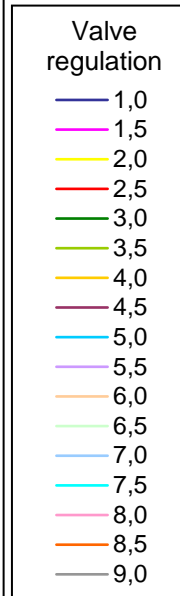
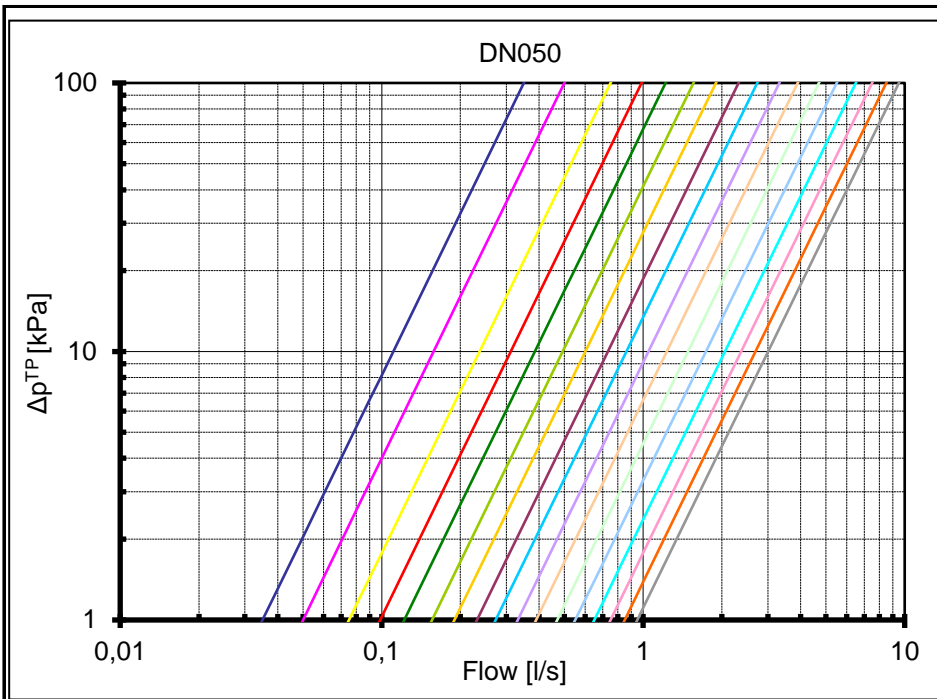
- 2,0
- 2,5
- 3,0
- 3,5
- 4,0
- 4,5
- 5,0
- 5,5
- 6,0
- 6,5
- 7,0
- 7,5
- 8,0
- 8,5
- 9,0



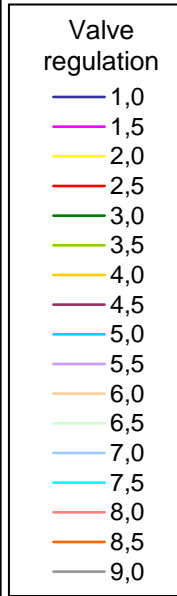
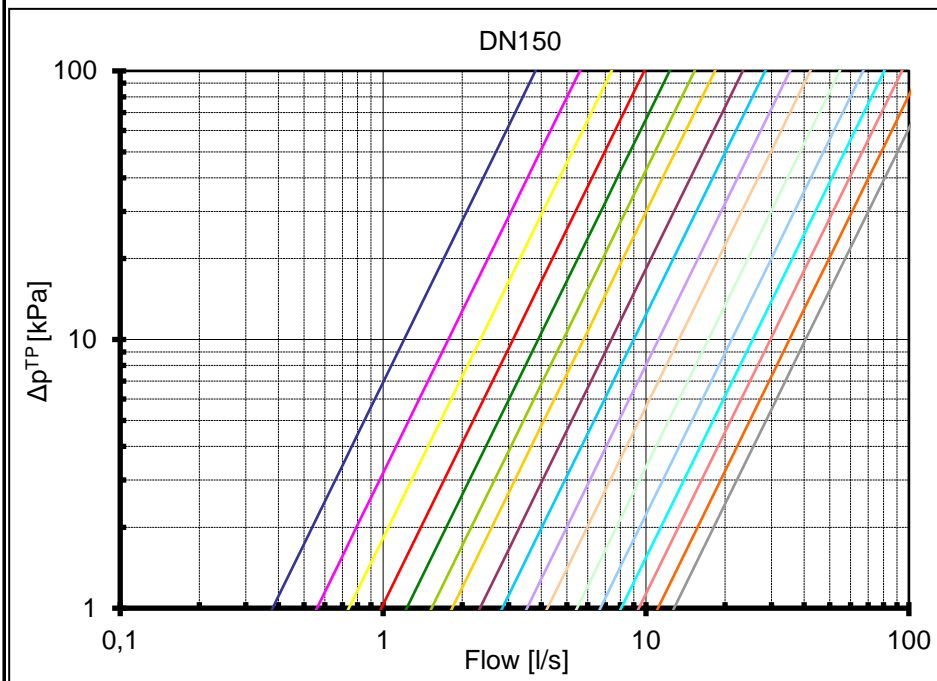
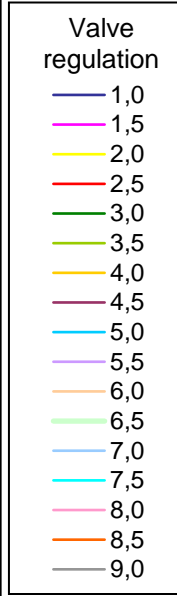
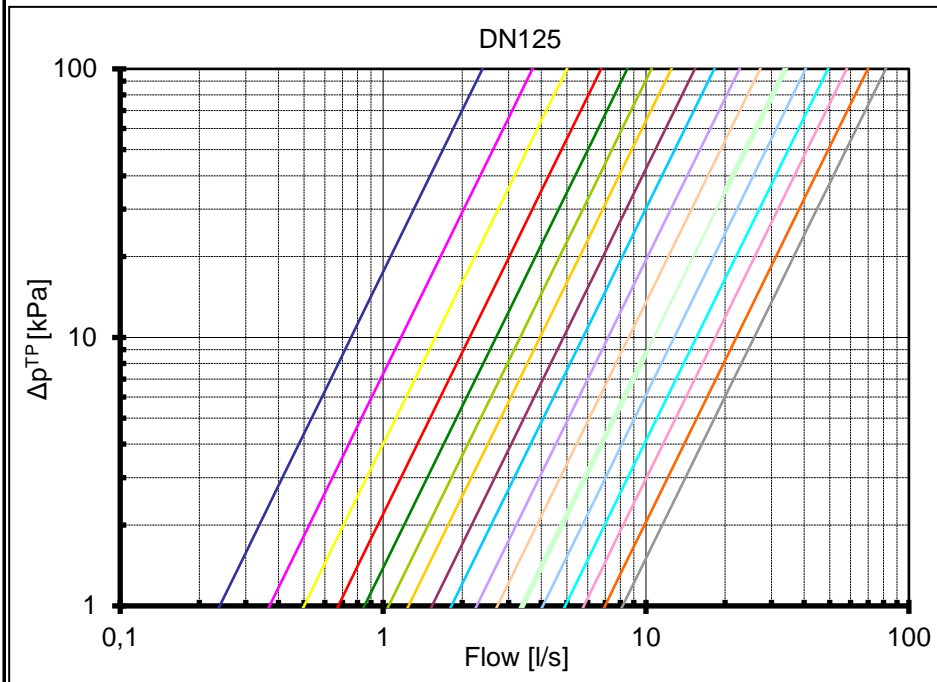
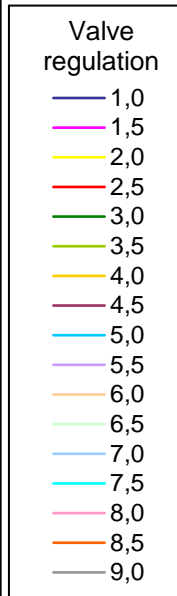
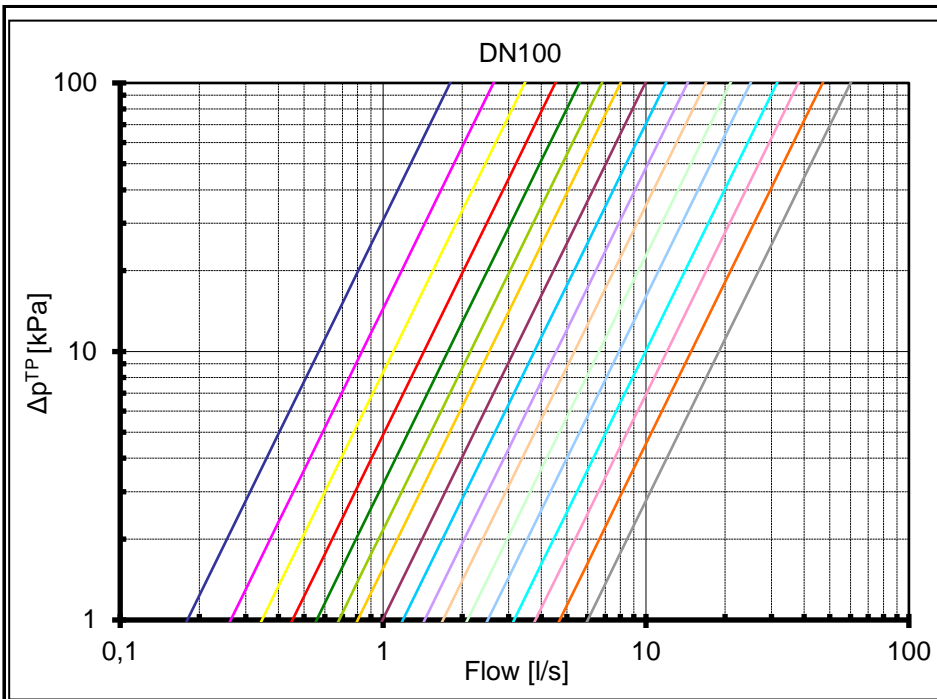
Via Circonvallazione, 10
13018 Valduggia (VC), Italy
Tel: +39 0163 47891
Fax: +39 0163 47895
www.vironline.com



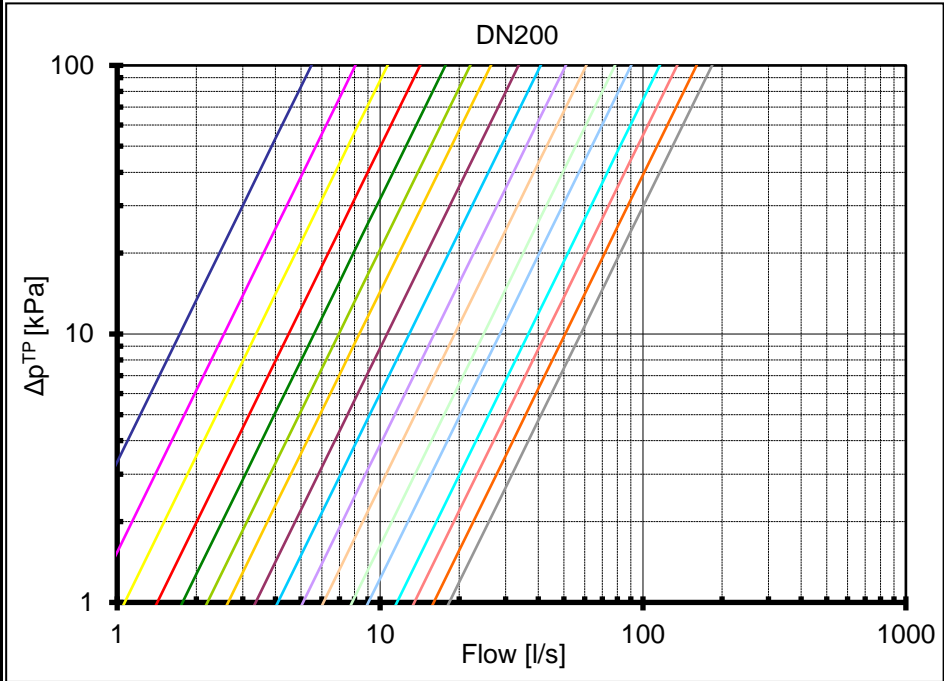
Via Circonvallazione, 10
 13018 Valduggia (VC), Italy
 Tel: +39 0163 47891
 Fax: +39 0163 47895
www.vironline.com



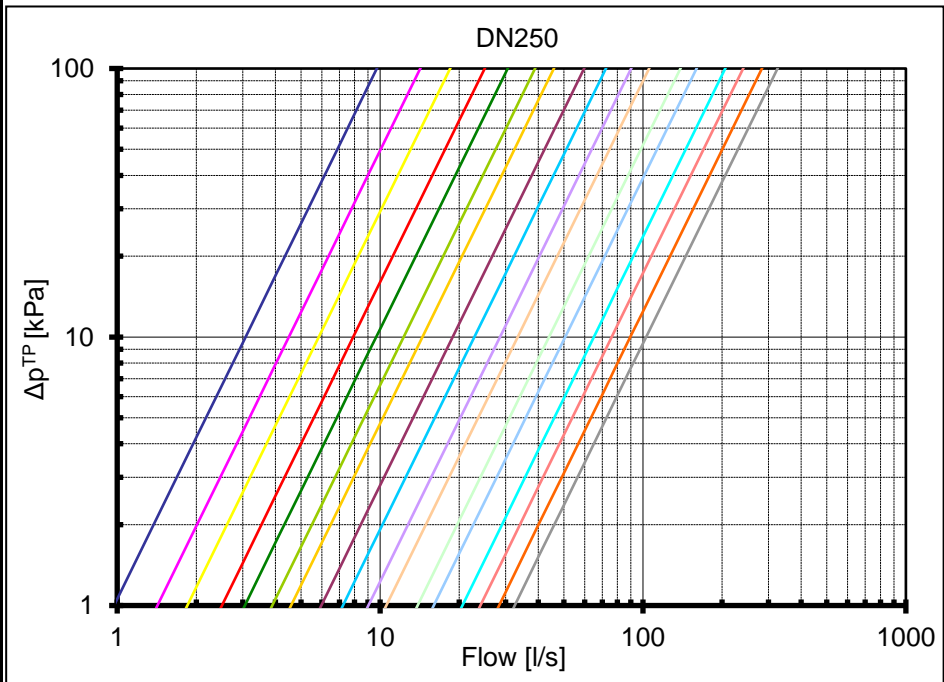
Via Circonvallazione, 10
 13018 Valduggia (VC), Italy
 Tel: +39 0163 47891
 Fax: +39 0163 47895
www.vironline.com



Via Circonvallazione, 10
 13018 Valduggia (VC), Italy
 Tel: +39 0163 47891
 Fax: +39 0163 47895
www.vironline.com



- Valve regulation
- 1,0
 - 1,5
 - 2,0
 - 2,5
 - 3,0
 - 3,5
 - 4,0
 - 4,5
 - 5,0
 - 5,5
 - 6,0
 - 6,5
 - 7,0
 - 7,5
 - 8,0
 - 8,5
 - 9,0



- Valve regulation
- 1,0
 - 1,5
 - 2,0
 - 2,5
 - 3,0
 - 3,5
 - 4,0
 - 4,5
 - 5,0
 - 5,5
 - 6,0
 - 6,5
 - 7,0
 - 7,5
 - 8,0
 - 8,5
 - 9,0



Via Circonvallazione, 10
 13018 Valduggia (VC), Italy
 Tel: +39 0163 47891
 Fax: +39 0163 47895
 www.vironline.com

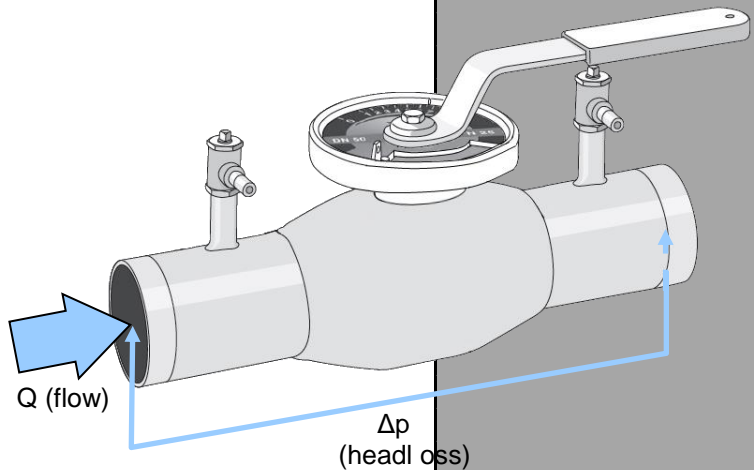
HEADLOSS CALCULATION

Valve regulation	K _v [m ³ /h @ 1bar]											
	015/020	025	032	040	050	065	080	100	125	150	200	250
1,0	-	-	0,39	0,60	1,26	2,52	3,42	6,48	8,60	13,68	19,70	35,00
1,5	-	0,35	0,57	1,01	1,80	3,64	5,37	9,47	13,32	20,16	29,00	51,20
2,0	0,14	0,49	0,83	1,48	2,70	4,75	7,31	12,46	18,00	26,64	38,40	66,50
2,5	0,28	0,99	1,08	2,02	3,55	6,34	10,23	16,28	24,30	35,46	51,10	90,00
3,0	0,42	1,36	1,44	2,70	4,39	7,92	13,14	20,09	30,60	44,28	63,80	110,0
3,5	0,61	1,66	1,80	3,24	5,61	9,78	16,11	24,45	37,80	55,08	79,30	140,0
4,0	0,80	2,00	2,30	3,96	6,84	11,63	19,08	28,84	45,00	65,88	95,00	165,0
4,5	1,02	2,40	2,74	4,86	8,34	14,15	23,31	35,82	55,26	84,06	121,0	215,0
5,0	1,24	3,00	3,42	5,98	9,83	16,67	27,54	42,84	65,52	102,2	147,0	260,0
5,5	1,64	3,50	4,21	7,18	11,94	20,94	33,21	51,84	81,72	127,1	183,0	325,0
6,0	2,04	4,50	5,11	8,57	14,04	25,20	38,88	60,84	97,92	151,9	219,0	380,0
6,5	2,64	5,10	5,97	10,15	16,92	29,52	46,26	75,42	121,9	196,6	282,0	500,0
7,0	3,24	6,70	7,27	12,31	19,80	33,84	53,64	90,00	145,8	241,2	325,0	576,0
7,5	3,84	7,30	8,64	14,40	23,40	39,78	64,62	113,4	177,3	289,8	417,0	740,0
8,0	4,45	9,30	10,08	17,64	27,00	45,72	75,60	136,8	208,8	338,4	486,0	866,0
8,5	5,04	10,00	11,52	20,88	30,60	53,46	91,80	169,2	251,3	399,8	576,0	1020
9,0	5,83	12,65	13,14	22,57	34,20	61,20	108,0	216,0	293,8	460,8	660,0	1170

Copy of the table presented in flow measurement paragraph
 Δp (headloss) approximately equal to Δp^{TP}

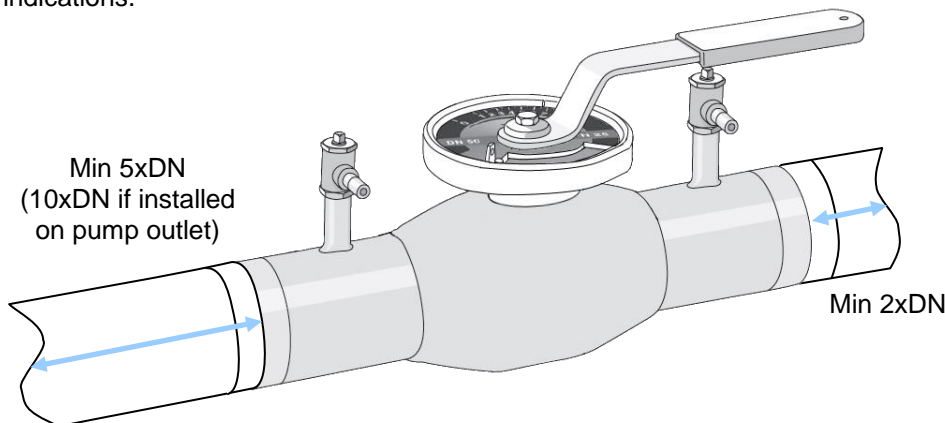
$$\Delta p = \left(\frac{36 \cdot Q}{K_v} \right)^2$$

Formula linking flow Q (in l/s) and theoretical valve headloss Δp (in kPa).
 K_v depends on handle / gear regulation as indicated on table.



INSTALLATION

To obtain the best performances valve must be installed on a pipe with its same nominal size preceded and followed by straight pipe lengths as per figure indications.



Via Circonvallazione, 10
 13018 Valduggia (VC), Italy
 Tel: +39 0163 47891
 Fax: +39 0163 47895
 www.vironline.com