

# 900

Bronze Strainer



Via Circonvallazione, 10  
13018 Valduggia (VC), Italy  
Tel: +39 0163 47891  
Fax: +39 0163 47895  
www.vironline.com



Bronze strainer  
Threaded F/F (ISO 228/1)  
Stainless steel strainer  
(mesh Ø0,5mm up to DN≤20, Ø0,8mm above)  
Optional WRAS compliant version available (DN15-DN50)

PN20 (PN16 for DN≥65: max 16bar up to 110°C, max 10bar above)  
Free of CE marking (cat. according to Art. 4.3 Dir. 2014/68/EU)

Working conditions

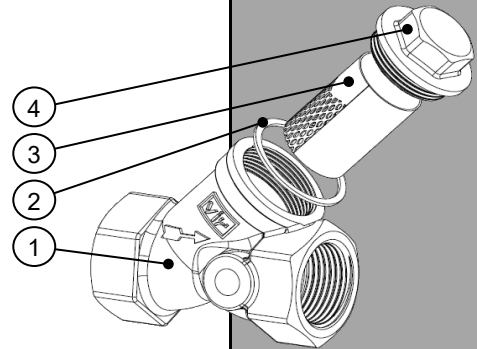
- Suitable for: water, -10°C to +150°C  
below 0°C only for water with added antifreeze fluids
- Not suitable for: gases group 1 & 2, liquids group 1 (Dir. 2014/68/EU)



## PARTLIST

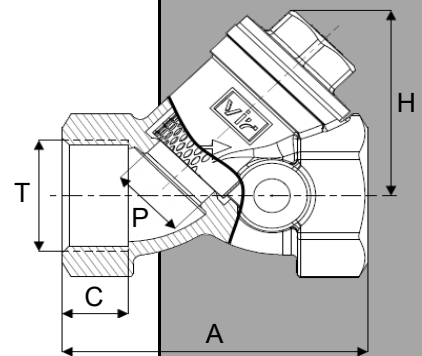
N.	Part	Material	Norm
1	Body	Bronze	EN1982 CC491K
3	Strainer	Stainless steel	AISI 304
4	Gasket	Fiber <sup>1</sup>	-
2	Bonnet	Brass	EN12165 CW617N

<sup>1</sup>PTFE for WRAS version



## DIMENSIONS

DN	T	A	C	P	H	K <sub>v</sub>	Weight
		[mm]	[mm]	[mm]	[mm]	[m <sup>3</sup> /h]	[g]
010	3/8"	56	10	13	37	-	178
015	1/2"	54	12	12	38	3,5	175
020	3/4"	67	15	17	43	5,8	290
025	1"	79	16	24	53	9,1	410
032	1 1/4"	98	17	30	64	19	700
040	1 1/2"	106	18	35	70	24	915
050	2"	122	20	43	85	36	1390
065	2 1/2"	147	22	60	122	65	2800
080	3"	165	23	68	140	86	3725
100	4"	221	23	93	175	95	6860



240903