

899I

Brass Strainer



Via Circonvallazione, 10
13018 Valduggia (VC), Italy
Tel: +39 0163 47891
Fax: +39 0163 47895
www.vironline.com



Brass strainer
Threaded F/F (ISO 228/1)
Stainless steel strainer
(Mesh 400µm for DN08 e DN10, 500µm up DN15 to DN50,
600µm for DN80, 1000µm for DN65 and DN100)

PN20 (PN16 for DN≤65)
Free of CE marking (cat. according to Art. 4.3 Dir. 2014/68/EU)

Working conditions

- Suitable for: water, 0°C to +100°C
- Not suitable for: gases group 1 & 2, liquids group 1 (Dir. 2014/68/UE)

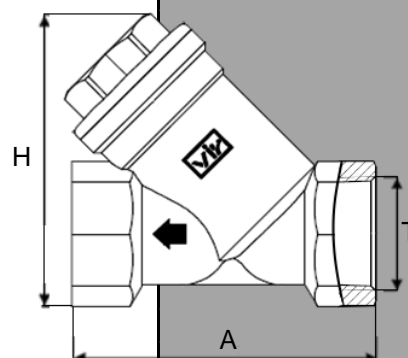
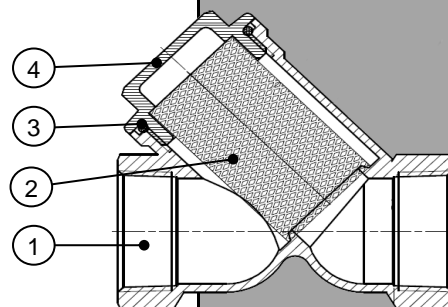
PARTLIST

N.	Part	Material	Norm
1	Body	Brass CW617N	EN12165
2	Strainer	Stainless steel ¹ AISI 304	
3	Gasket	EPDM ¹	-
4	Bonnet	Brass CW617N	EN12165

¹gasket in NBR for DN≤65

DIMENSIONS

DN	T	H	A	K _v	Weight
		[mm]	[mm]	[m ³ /h]	[g]
008	1/4"	40	55	-	110
010	3/8"	51	55	-	115
015	1/2"	53	58	4	140
020	3/4"	65,5	68	6	210
025	1"	72,5	78	9,1	330
032	1 1/4"	88	96	11	580
040	1 1/2"	103	106	18	850
050	2"	122	126	24	1400
065	2 1/2"	155	146	-	2800
080	3"	167	166	-	3100
100	4"	223	218	-	4900



241112