

# 895H

Ductile Iron Strainer



Via Circonvallazione, 10  
13018 Valduggia (VC), Italy  
Tel: +39 0163 47891  
Fax: +39 0163 47895  
www.vironline.com



Ductile iron strainer

Flanged PN25 according to EN1092-2 (ex DIN2533)

Lengths according to EN558-1 series 1 (ex DIN3202 F1)

Epoxy coating (min. 200µm)

Steel strainer in SS304 with round holes mesh

Hole diameter 1,5mm up to DN≤200, 2,0mm above

With threaded drain (from 1" to 2" depending on the sizes)

PN25

Free of CE marking for DN≤200 (cat. according to Art. 4.3 Dir. 2014/68/EU)

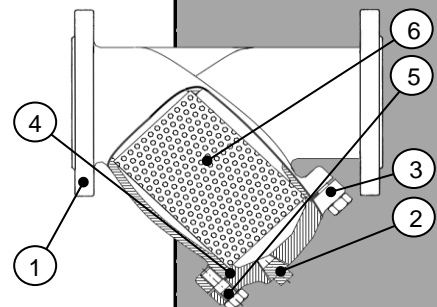
Working conditions

- Suitable for: water, -10°C to +110°C  
below 0°C only for water with added antifreeze fluids
- Not suitable for: gases group 1 & 2, liquids group 1 (Dir. 2014/68/EU)



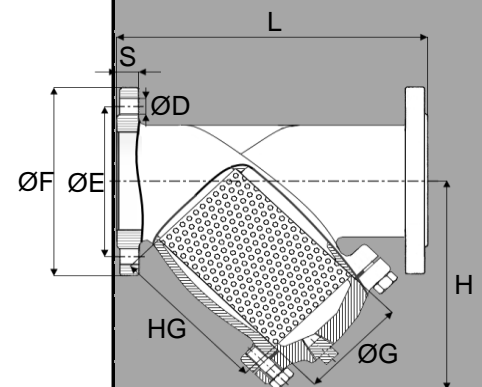
## PARTLIST

N.	Part	Material	Norm
1	Body	Ductile Iron	EN-GJS-450-10
2	Drain cap	Cast iron	-
3	Bonnet	Ductile Iron	EN-GJS-450-10
4	Gasket	Graphite + steel	-
5	Nuts	Carbon steel	-
6	Strainer	Stainless steel	SS304



## DIMENSIONS

DN	ØF [mm]	ØE [mm]	S [mm]	NxØD [mm]	L [mm]	H [mm]	HG [mm]	ØG [mm]	K <sub>v</sub> [m <sup>3</sup> /h]	Wgt [kg]
050	165	125	22	4x19	230	178	90	52	58	10
065	185	145	24	8x19	290	177	110	71	96	14
080	200	160	26	8x19	310	195	130	85	142	19
100	235	190	28	8x23	350	243	180	106	231	27
125	270	220	30	8x28	400	294	215	129	335	43
150	300	250	34	8x28	480	320	247	155	484	58
200	360	310	34	12x28	600	397	300	206	807	97
250	425	370	36	12x31	730	480	370	266	1442	175
300	485	430	40	16x31	850	557	450	316	1878	225
350	555	490	44	16x34	980	689	500	366	3340	421
400	620	550	48	16x37	1100	789	560	416	4427	602



190603