

# 890, 890E

Cast Iron Swing Check Valve



Via Circonvallazione, 10  
13018 Valduggia (VC), Italy  
Tel: +39 0163 47891  
Fax: +39 0163 47895  
www.vironline.com



Cast iron GG25 swing check valve  
Flanged PN16 according to EN1092-2 (ex DIN2533)  
Lengths according to EN558-1 series 48 (ex DIN3202 F6)  
Design according to EN12334  
Testing according to API598  
Epoxy coating (min. 200µm)  
Available in the following versions:

- Fig. 890, with brass seal
- Fig. 890E, with EPDM seal

TR CU 010 compliant

PN16

Free of CE marking for DN≤300 (cat. according to Art. 4.3 Dir. 2014/68/EU)

Working conditions

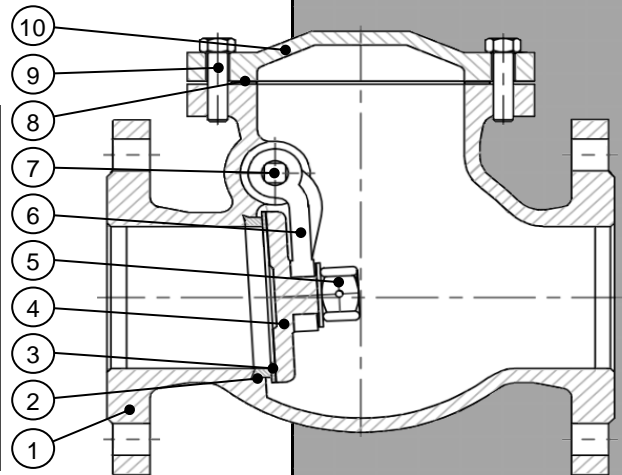
- Suitable for: water, -10°C to +100°C  
below 0°C only for water with added antifreeze fluids
- Not suitable for: gases group 1 & 2, liquids group 1 (Dir. 2014/68/EU)



## PARTLIST

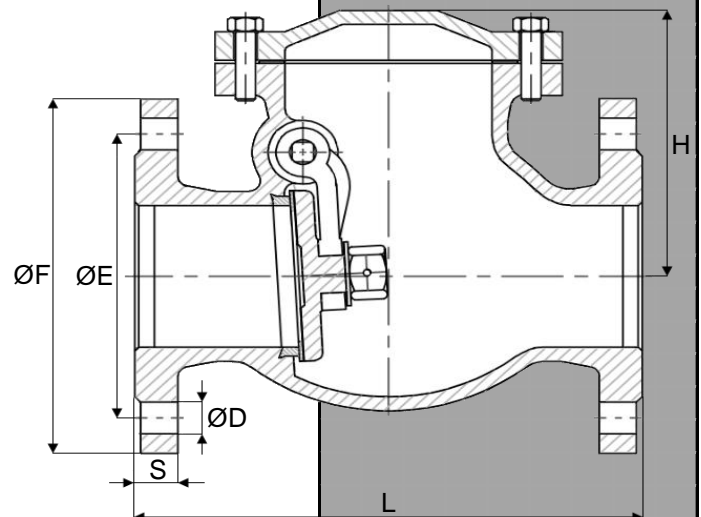
N.	Part	Material	Norm
1	Body	Cast iron	GG25
2	Seat	Brass	-
3	Trim	Brass/EPDM <sup>1</sup>	-
4	Disc	Cast iron	GG25
5	Nut	Carbon steel	-
6	Hanger	Cast iron	GG25
7	Hanger pin	Ductile iron	GGG40
8	Gasket	EPDM	-
9	Bolt + nut	Carbon steel	-
10	Bonnet	Cast iron	GG25

<sup>1</sup>Fig. 890 / Fig. 890E



## DIMENSIONS

DN	ØF [mm]	ØE [mm]	S [mm]	NxØD [mm]	H [mm]	L [mm]	Weight [kg]
040	150	110	18	4x18	114	180	8,8
050	165	125	20	4x18	127	200	12,4
065	185	145	20	4x18	137	240	15,2
080	200	160	22	8x18	150	260	19,5
100	220	180	24	8x18	164	300	26,8
125	250	210	26	8x18	185	350	42,0
150	285	240	26	8x23	205	400	57,7
200	340	295	30	12x23	249	500	93,0
250	405	355	32	12x27	305	600	145,0
300	460	410	32	12x27	333	700	221,0
350	520	470	36	16x27	378	800	265,0
400	580	525	38	16x30	405	900	357,0



210528