

# 830

## Brass Swing Check Valve



Via Circonvallazione, 10  
 13018 Valduggia (VC), Italy  
 Tel: +39 0163 47891  
 Fax: +39 0163 47895  
 www.vironline.com

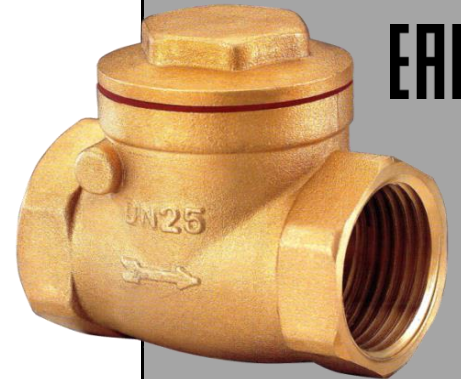


Brass swing check valve  
 Threaded F/F (ISO 228/1)  
 NBR seal  
 Minimum opening pressure 0,03bar  
 TR CU 010 compliant

PN16  
 Free of CE marking (cat. according to Art. 4.3 Dir. 2014/68/EU)

Working conditions

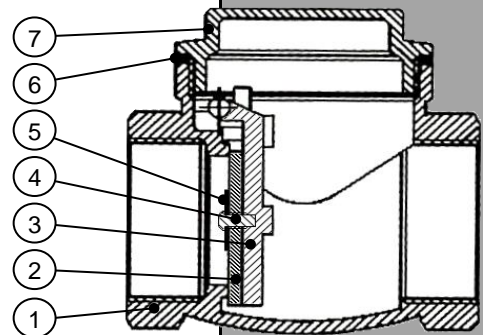
- Suitable for: water, 0°C to +90°C
- Not suitable for: gases group 1 & 2, liquids group 1 (Dir. 2014/68/UE)



### EAC

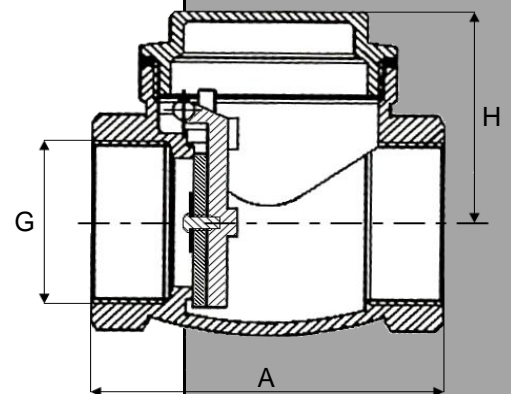
## PARTLIST

N.	Part	Material	Norm
1	Body	Brass	EN12165 CW617N
2	Disc gasket	NBR	-
3	Disc	Brass	EN12165 CW617N
4	Screw	Brass	EN12165 CW614N
5	Ring nut	Stainless steel	AISI 304
6	Gasket	Fiber	-
7	Bonnet	Brass	EN12165 CW617N



## DIMENSIONS

DN	G	H	A	K <sub>v</sub>	Weight
		[mm]	[mm]	[m <sup>3</sup> /h]	[g]
015	½"	36	47	7,5	180
020	¾"	38	53	13,4	240
025	1"	44	63	20,6	350
032	1¼"	52	74	26,5	550
040	1½"	61	87	39	880
050	2"	64	97	69	1200
065	2½"	69	118	-	1780
080	3"	86	135	-	2900
100	4"	103	164	-	5000



241205