

776H

Ductile Iron Dual Plate Check Valve



Via Circonvallazione, 10
13018 Valduggia (VC), Italy
Tel: +39 0163 47891
Fax: +39 0163 47895
www.vironline.com



Ductile iron dual plate check valve
Wafer type suitable for EN1092 PN25 flanges
Design according to EN12334
Testing according to EN12266-1
Lengths according to EN558-1 series 16
To be installed horizontally or vertically (with upward flow)
Provided with eyebolt for DN≥125
Minimum opening pressure 0,04bar
TR CU 010 compliant

PN25

Free of CE marking for DN≤200 (cat. according to Art. 4.3 Dir. 2014/68/EU)

Working conditions

- Suitable for: water, 0°C to +110°C
- Not suitable for: gases group 1 & 2, liquids group 1 (Dir. 2014/68/EU)

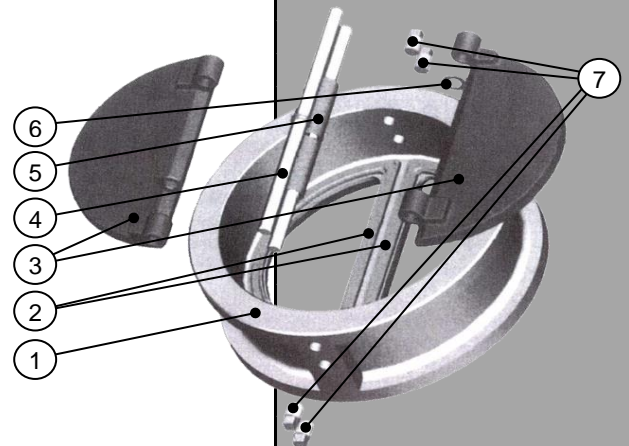


CE EAC

PARTLIST

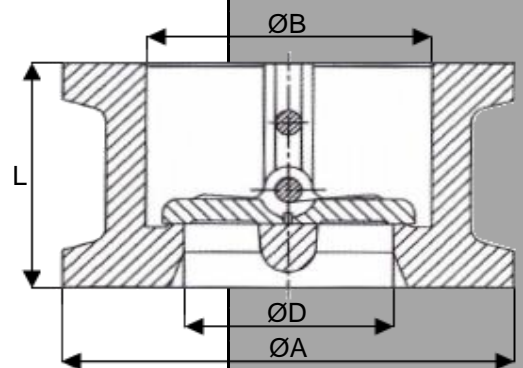
| N. | Part | Material | Norm |
|----|--------|------------------------------|-------|
| 1 | Body | Ductile iron | GGG40 |
| 2 | Seat | EPDM | - |
| 3 | Disc | Stainless Steel | SS316 |
| 4 | Stem | Stainless Steel | SS316 |
| 5 | Spring | Stainless Steel | SS316 |
| 6 | Washer | PTFE | - |
| 7 | Plug | Stainless Steel ¹ | SS316 |

¹With EPDM gasket



DIMENSIONS

| DN | ØA [mm] | ØB [mm] | ØD [mm] | L [mm] | K _v [m ³ /h] | Weight [kg] |
|-----|---------|---------|---------|--------|------------------------------------|-------------|
| 050 | 109 | 71 | 43 | 43 | 40 | 1,5 |
| 065 | 129 | 80 | 60 | 46 | 59 | 2,0 |
| 080 | 144 | 98 | 70 | 64 | 104 | 2,8 |
| 100 | 164 | 117 | 85 | 64 | 208 | 4,1 |
| 125 | 196 | 145 | 115 | 70 | 376 | 6,4 |
| 150 | 226 | 172 | 134 | 76 | 635 | 8,5 |
| 200 | 286 | 221 | 176 | 89 | 1050 | 13,5 |
| 250 | 343 | 276 | 218 | 114 | 1697 | 22,0 |
| 300 | 403 | 326 | 255 | 114 | 3265 | 30,0 |
| 350 | 460 | 361 | 293 | 127 | 4108 | 48,0 |



200513