



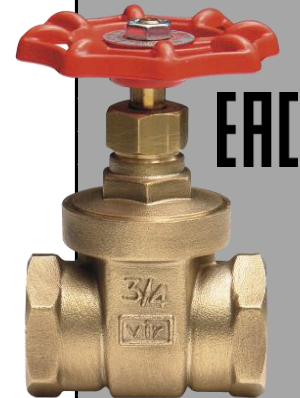
Brass gate valve
Threaded F/F (ISO 228/1)
Compliant to EN12288 (ex BS5154) up to DN50 included
Non rising blow-out proof stem
Adjustable packing
Metal seal
TR CU 010 compliant

PN20

Per DN≤50: max 20bar up to 100°C, max 13bar at 150°C
Per DN≥65: max 20bar up to 100°C, max 18bar at 110°C
Free of CE marking (cat. according to Art. 4.3 Dir. 2014/68/EU)

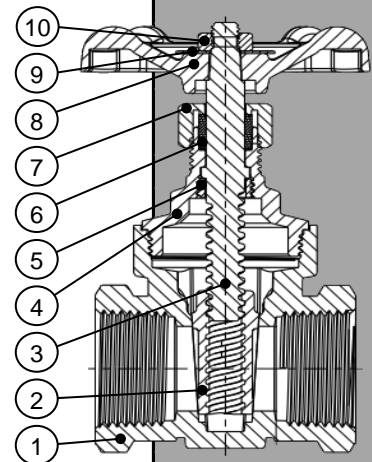
Working conditions

- Suitable for: water, 0°C to +150°C (110°C for DN≥65)
- Not suitable for: gases group 1 & 2, liquids group 1 (Dir. 2014/68/EU)



PARTLIST

N.	Part	Material	Norm
1	Body	Brass	EN12165 CW617N
2	Wedge	Brass	EN12164 CW617N
3	Stem	Brass	EN12164 CW617N
4	Bonnet	Brass	EN12165 CW617N
5	Ring	Brass	EN12164 CW617N
6	Packing ring	Fiber	-
7	Packing nut	Brass	EN12164 CW617N
8	Handwheel	Aluminum	-
9	Disk	Aluminum	-
10	Nut	Zinc plated steel	EN10025 Fe42



DIMENSIONS

DN	T	L	C	P	H	ØV	K _v	Weight
		[mm]	[mm]	[mm]	[mm]	[mm]	[m ³ /h]	[g]
015	½"	50	16,5	13	71	60	9	248
020	¾"	54	16,5	19	80	60	20	364
025	1"	62	20,0	25	100	70	36	542
032	1¼"	70	22,0	32	111	80	62	770
040	1½"	72	22,0	38	126	80	104	1071
050	2"	82	24,5	51	160	95	182	1796
065	2½"	97	28,0	60	183	130	267	2865
080	3"	111	33,0	71	205	130	357	3839
100	4"	131	38,0	97	260	150	666	6960

