

# 5020DR

Full Port DZR Brass Ball Valve



Via Circonvallazione, 10  
13018 Valduggia (VC), Italy  
Tel: +39 0163 47891  
Fax: +39 0163 47895  
www.vironline.com



Full port DZR brass ball valve  
Press-fit/Press-fit (V profile, European copper or steel tubing)  
Design according to MSS-SP110  
Air testing according to EN12266-1  
Blow-out proof stem, adjustable packing

PN16 (max 16bar up to 85°C, max 10bar at 120°C)  
Free of CE marking (cat. according to Art. 4.3 Dir. 2014/68/EU)

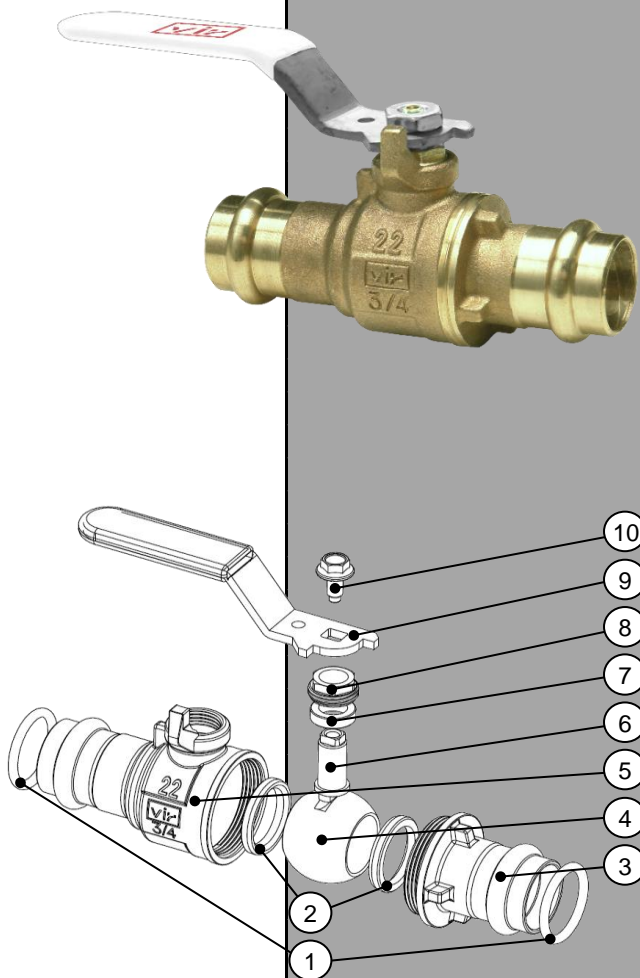
Working conditions

- Suitable for: water, 0°C to +120°C
- Suitable for: air, -10°C to +120°C
- Not suitable for: gases and liquids group 1 (Dir. 2014/68/EU)

## PARTLIST

N.	Part	Material	Norm
1	O-ring	EPDM Perox	-
2	Seat	PTFE	-
3	Fixed end	DZR brass	EN12165 CW602N
4	Ball	Chr. pl. DZR brass	EN12164 CW602N
5	Body	DZR brass	EN12165 CW602N
6	Stem	DZR brass	EN12164 CW602N
7	Packing ring	PTFE	-
8	Packing nut	Brass	EN12164 CW617N
9	Screw	Geomet steel	EN10025 Fe42
10	Handle	Geomet steel <sup>1</sup>	EN10111 Fe P11

<sup>1</sup>With white PVC cover



## DIMENSIONS

DN	T	C	A	P	HL	L	K <sub>v</sub>	Weight
	[mm]	[mm]	[mm]	[mm]	[mm]	[mm]	[m <sup>3</sup> /h]	[g]
018	15	25	89	14,5	54,0	91,5	15,7	240
022	22	25	106	20,0	57,5	91,5	30,8	347
028	28	27	118	25,0	65,0	126,5	49,3	590
035	35	31	128	32,0	71,0	126,5	79	886
042	42	36	152	40,0	83,0	141,5	125,3	1270
054	54	44	177	50,0	91,0	141,5	224,2	2500

