

500

Polypropylene Random Ball Valve



Via Circonvallazione, 10
13018 Valduggia (VC), Italy
Tel: +39 0163 47891
Fax: +39 0163 47895
www.vironline.com

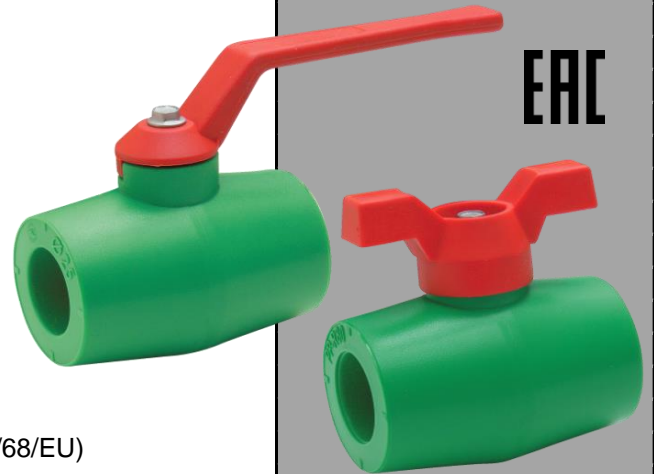


Polypropylene random ball valve
Soldering ends
One piece body
Blow-out proof stem
With handle or butterfly (up to DN≤32)
TR CU 010 compliant

PN20
Free of CE marking (cat. according to Art. 4.3 Dir. 2014/68/EU)

Working conditions

- Suitable for: water, 0°C to +75°C
- Not suitable for: gases group 1 & 2, liquids group 1 (Dir. 2014/68/EU)



PARTLIST

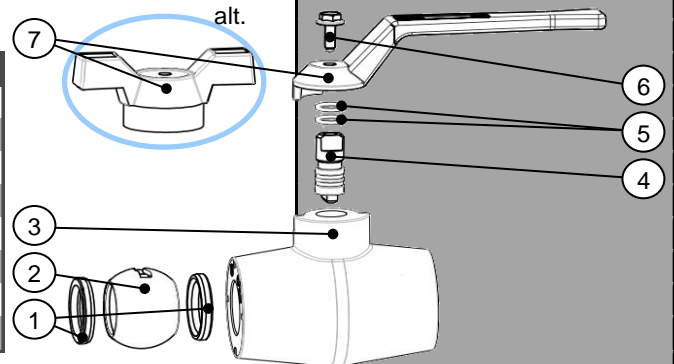
N.	Part	Material	Norm
1	Seat	PTFE	-
2	Ball	Chromium pl. brass ¹	EN12164 CW617N ²
3	Body	Polyprop. random	-
4	Stem	Brass ¹	EN12164 CW617N
5	O-ring	NBR	-
6	Screw	Geomet steel	EN10025 Fe42
7	Handle	PA6 Polyamide ³	-
7 alt.	Butterfly	PA6 Polyamide ⁴	-

¹In AISI304 stainless steel for DN90

²EN12165 CW617N for DN≥40

³50% glass fiber reinforced

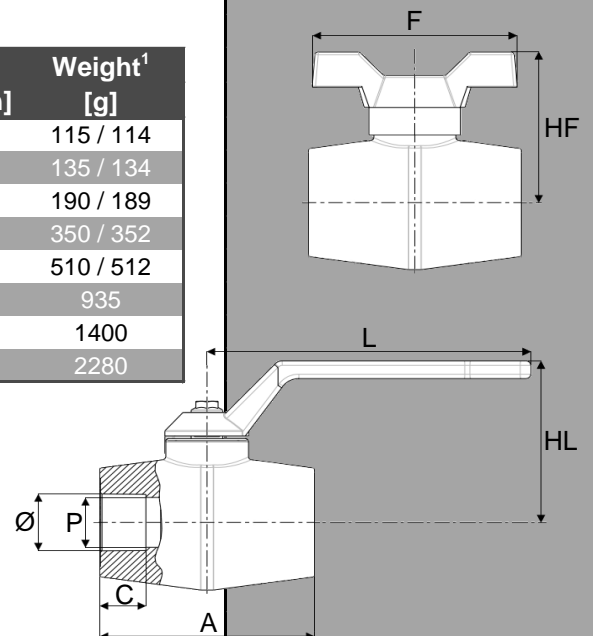
⁴30% glass fiber reinforced



DIMENSIONS

DN	Ø	A	C	P	HL	L	HF	F	K _v	Weight ¹
	[mm]	[mm]	[mm]	[mm]	[mm]	[mm]	[mm]	[mm]	[m ³ /h]	[g]
020	20	67,5	14,5	15	60	102	55	65	2,6	115 / 114
025	25	70,5	16,0	15	60	102	55	65	2,6	135 / 134
032	32	79,5	18,1	20	64	102	59	65	5,3	190 / 189
040	40	94,0	20,5	25	78	120	75	82	10,7	350 / 352
050	50	109,0	23,5	32	83	120	80	82	16,7	510 / 512
063	63	130,0	27,4	40	103	146	-	-	34,7	935
075	75	151,0	31,0	50	110	146	-	-	-	1400
090	90	173,0	35,5	65	133	205	-	-	-	2280

¹Weight for lever handle version / weight for butterfly handle version



201014