

4820L

Ductile Iron Grooved Butterfly Valve



Via Circonvallazione, 10
13018 Valduggia (VC), Italy
Tel: +39 0163 47891
Fax: +39 0163 47895
www.vironline.com



Ductile iron grooved butterfly valve
Grooved (ANSI/AWWA C606 / Metric)
Lengths according to MSS SP-67 (per DN≥80)
Testing according to EN12266-1
Epoxy coating (min. 150µm)
TR CU 010 compliant

PN25
Free of CE marking for DN≤200 (cat. according to Art. 4.3 Dir. 2014/68/EU)

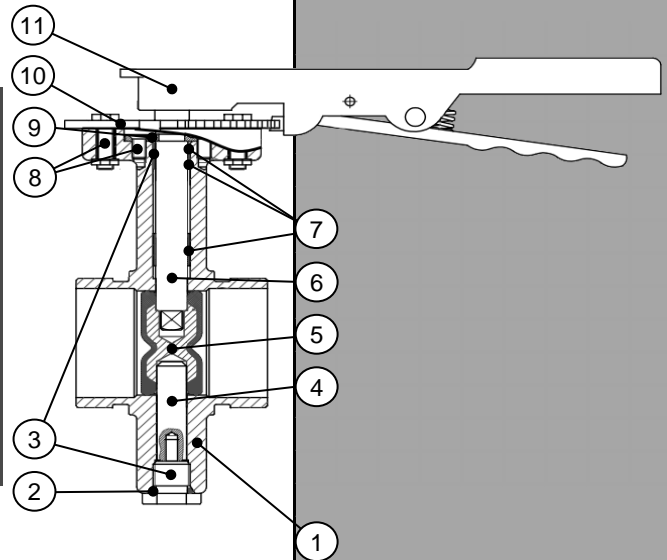
Working conditions

- Suitable for: water, -20°C to +110°C
below 0°C only for water with added antifreeze fluids
- Not suitable for: gases group 1 & 2, liquids group 1 (Dir. 2014/68/EU)



PARTLIST

N.	Part	Material	Norm
1	Body	Ductile iron	EN-GJS-450-10
2	O-ring	EPDM	-
3	Cap	Carbon steel	-
4	Lower stem	Stainless steel	SS420
5	Disc	Ductile iron + EPDM	EN-GJS-450-10
6	Upper stem	Stainless steel	SS420
7	Bushing	PTFE	-
8	Stem plate	Steel	-
9	Bolt/nut	Steel	-
10	Lever plate	Steel	-
11	Lever	Steel	-



DIMENSIONI

DN	ØIA [mm]	ØIB [mm]	C [mm]	G [mm]	A [mm]	HA [mm]	HB [mm]	HC [mm]	L [mm]	Weight [kg]
050	60,3	57,2	15,9	7,9	84	70	100	30	270	3,4
065	76,1 ¹	69,1	15,9	7,9	84	75	106	30	270	4,3
080	88,9	84,9	15,9	7,9	97	82	113	30	270	4,8
100	114,3	110,1	15,9	9,5	116	100	135	30	300	7,0
125	139,7 ¹	137,0	15,9	9,5	148	119	149	30	300	8,5
150	168,3	164,0	15,9	9,5	148	130	176	30	300	11,5
200	219,1	214,4	19,1	11,1	133	162	204	40	390	15,6
250	273,1	268,3	19,1	12,7	159	200	228	40	390	29,0
300	323,9	318,3	19,1	12,7	165	224	266	40	390	36,0

¹Metric groove standard

