

4520

Ductile Iron Wafer Butterfly Valve



Via Circonvallazione, 10
13018 Valduggia (VC), Italy
Tel: +39 0163 47891
Fax: +39 0163 47895
www.vironline.com



Ductile iron Wafer butterfly valve

For EN1092 PN25 flanges

Lengths according to EN558-1 series 20 (ex DIN3202 K1)

Design according to EN593, testing according to EN12266-1

Epoxy coating (min. 150µm)

With lever (lockable in both open and close position) or manual gear

CE

PN25

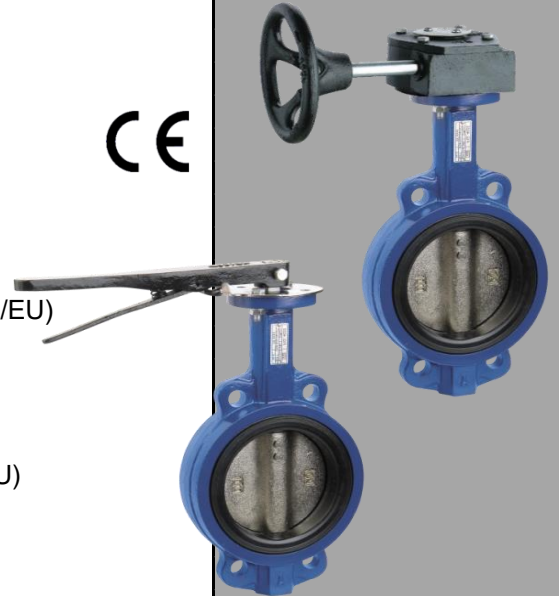
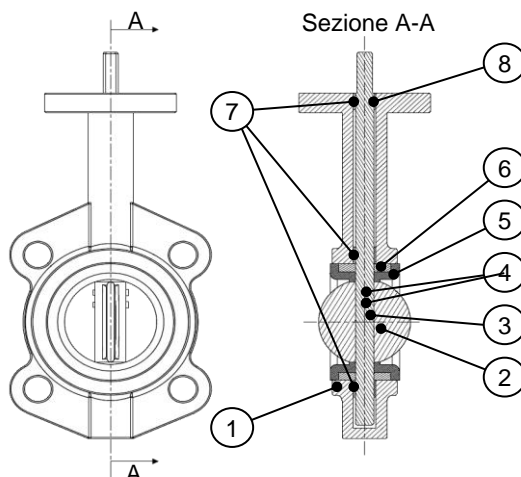
Free of CE marking for DN≤200 (cat. according to Art. 4.3 Dir. 2014/68/EU)

Working conditions

- Suitable for: water, -10°C to +110°C
below 0°C only for water with added antifreeze fluids
- Not suitable for: gases group 1 & 2, liquids group 1 (Dir. 2014/68/EU)

PARTLIST

| N. | Part | Material | Norm |
|----|--------------|----------------------|-------|
| 1 | Body | Ductile iron + epoxy | GGG40 |
| 2 | Disc | D.I. Nickel plated | GGG40 |
| 3 | Stem | Stainless steel | SS431 |
| 4 | Taper pin | Stainless steel | - |
| 5 | Seat | EPDM | - |
| 6 | Seat support | Plastic | - |
| 7 | Bushing | PTFE | - |
| 8 | O-ring | EPDM | - |
| 9a | Lever | Cast iron | - |
| 9b | Manual gear | Cast iron | - |

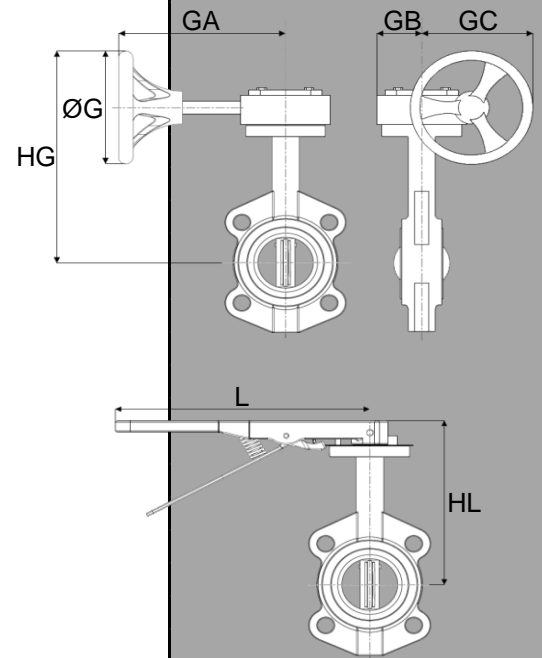


210517

DIMENSIONS WITH LEVER OR GEAR

| DN | L [mm] | HL [mm] | GA [mm] | GB [mm] | GC [mm] | HG [mm] | ØG [mm] | Weight ¹ [kg] |
|-----|-----------|------------|------------|------------|------------|------------|------------|-----------------------------|
| 050 | 267 | 194 | 153 | 53 | 125 | 271 | 146 | 4,3 / 8,4 |
| 065 | 267 | 207 | 153 | 53 | 125 | 284 | 146 | 4,7 / 8,8 |
| 080 | 267 | 213 | 153 | 53 | 125 | 290 | 146 | 5,1 / 9,2 |
| 100 | 267 | 232 | 153 | 53 | 125 | 309 | 146 | 6,1 / 10,2 |
| 125 | 267 | 245 | 153 | 53 | 125 | 322 | 146 | 7,9 / 12,0 |
| 150 | 267 | 257 | 153 | 53 | 125 | 334 | 146 | 9,6 / 13,7 |
| 200 | - | - | 250 | 73 | 208 | 442 | 289 | - / 33,3 |
| 250 | - | - | 250 | 73 | 208 | 474 | 289 | - / 48,0 |
| 300 | - | - | 227 | 86 | 226 | 521 | 289 | - / 60,0 |
| 350 | - | - | 227 | 86 | 226 | 552 | 289 | - / 72,0 |
| 400 | - | - | 176 | 131 | 326 | 655 | 290 | - / 156,0 |
| 450 | - | - | 176 | 131 | 326 | 677 | 290 | - / 182,0 |
| 500 | - | - | 176 | 131 | 326 | 734 | 290 | - / 242,0 |
| 600 | - | - | 176 | 131 | 392 | 883 | 385 | - / 365,0 |

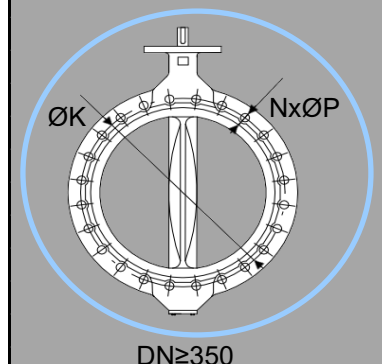
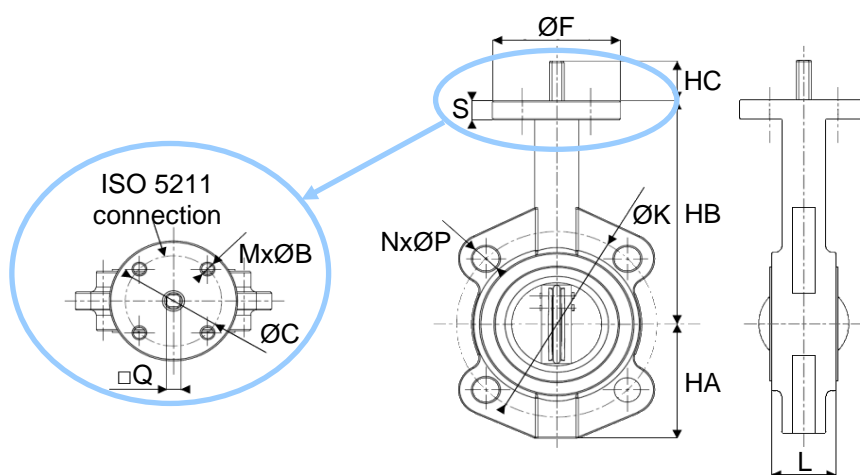
¹Weight for version with lever / weight for version with gear



OTHER DIMENSIONS

| DN | HA [mm] | HB [mm] | HC [mm] | NxØP [mm] | ØK [mm] | L [mm] | ØF [mm] | S [mm] | MxØB [mm] | ØC [mm] | ISO-□Q ¹ [mm] | Torque [Nm] | K _v [m ³ /h] | Wgt [kg] |
|-----|------------|------------|------------|--------------|------------|-----------|------------|-----------|--------------|------------|-----------------------------|----------------|---------------------------------------|-------------|
| 050 | 80 | 162 | 32 | 4x19 | 125 | 43 | 90 | 13 | 4x9 | 70 | F07 - □9 | 28 | 99 | 3,4 |
| 065 | 89 | 175 | 32 | 4x19 | 145 | 46 | 90 | 13 | 4x9 | 70 | F07 - □9 | 35 | 170 | 3,8 |
| 080 | 95 | 181 | 32 | 4x19 | 160 | 46 | 90 | 13 | 4x9 | 70 | F07 - □9 | 45 | 261 | 4,2 |
| 100 | 114 | 200 | 32 | 4x23 | 190 | 52 | 90 | 13 | 4x9 | 70 | F07 - □11 | 82 | 519 | 5,2 |
| 125 | 127 | 213 | 32 | 4x28 | 220 | 56 | 90 | 13 | 4x9 | 70 | F07 - □14 | 111 | 884 | 7,0 |
| 150 | 140 | 225 | 32 | 4x28 | 250 | 56 | 90 | 13 | 4x9 | 70 | F07 - □14 | 219 | 1366 | 8,7 |
| 200 | 173 | 260 | 36 | 4x28 | 310 | 60 | 125 | 14 | 4x11 | 102 | F10 - □17 | 349 | 2713 | 20,3 |
| 250 | 203 | 292 | 36 | 4x31 | 370 | 68 | 125 | 14 | 4x11 | 102 | F10 - □22 | 617 | 4697 | 35,0 |
| 300 | 242 | 337 | 40 | 4x31 | 430 | 78 | 150 | 20 | 4x14 | 125 | F12 - □22 | 912 | 7136 | 47,0 |
| 350 | 267 | 368 | 42 | 4x34 | 490 | 78 | 150 | 20 | 4x14 | 125 | F12 - □24 | - | 10308 | 57,0 |
| 400 | 309 | 400 | 50 | 16x36 | 550 | 102 | 210 | 20 | 4x22 | 165 | F16-Ø38,0 | - | 14175 | 116,0 |
| 450 | 328 | 422 | 50 | 20x36 | 600 | 114 | 210 | 20 | 4x22 | 165 | F16-Ø42,9 | - | 18774 | 142,0 |
| 500 | 361 | 479 | 60 | 20x36 | 660 | 127 | 210 | 22 | 4x22 | 165 | F16-Ø45,7 | - | 24140 | 187,0 |
| 600 | 459 | 562 | 60 | 20x39 | 770 | 154 | 210 | 22 | 4x22 | 165 | F16-Ø54,0 | - | 37294 | 303,0 |

¹Round stem with key (10mm for DN350-DN500, 16mm for DN600)



Via Circonvallazione, 10
13018 Valduggia (VC), Italy
Tel: +39 0163 47891
Fax: +39 0163 47895
www.vironline.com

FITTING VIR ACTUATORS

| DN | Cutter-AQ electric actuators | | Hovercraft pneumatic act. ¹ | |
|-----|------------------------------|---------------|--|----------------------------|
| | 230VAC | 24VDC | Double acting | Spring return |
| 050 | KACUTAQ02.800 | KACUTAQ02.800 | KAHOVER15.801 | KAHOVER31.801 |
| 065 | KACUTAQ02.800 | KACUTAQ02.800 | KAHOVER16.801 | KAHOVER32.801 |
| 080 | KACUTAQ02.800 | KACUTAQ02.800 | KAHOVER17.801 | KAHOVER32.801 |
| 100 | KACUTAQ03.800 | KACUTAQ08.800 | KAHOVER18.801 | KAHOVER34.801 |
| 125 | KACUTAQ04.800 | KACUTAQ09.800 | KAHOVER19.801 | KAHOVER35.801 |
| 150 | KACUTAQ06.800 | KACUTAQ10.800 | KAHOVER21.801 | KAHOVER37.801 ² |
| 200 | KACUTAQ07.800 | on request | KAHOVER22.801 | KAHOVER38.801 |
| 250 | KACUTAQ11.800 | on request | KAHOVER24.801 | on request |
| 300 | on request | on request | KAHOVER25.801 | on request |
| 350 | on request | on request | on request | on request |
| 400 | on request | on request | on request | on request |
| 450 | on request | on request | on request | on request |
| 500 | on request | on request | on request | on request |
| 600 | on request | on request | on request | on request |

¹Pneumatic actuators sized on 6bar air supply

²Flange adaptors required

Mounting of proposed actuators requires specific square connection adaptors

Technical description and dimensions of actuators as reported in their specific technical sheets



Via Circonvallazione, 10
 13018 Valduggia (VC), Italy
 Tel: +39 0163 47891
 Fax: +39 0163 47895
 www.vironline.com