

3WL

Reduced Port "L" Type 3-way Brass Ball Valve



Via Circonvallazione, 10
13018 Valduggia (VC), Italy
Tel: +39 0163 47891
Fax: +39 0163 47895
www.vironline.com



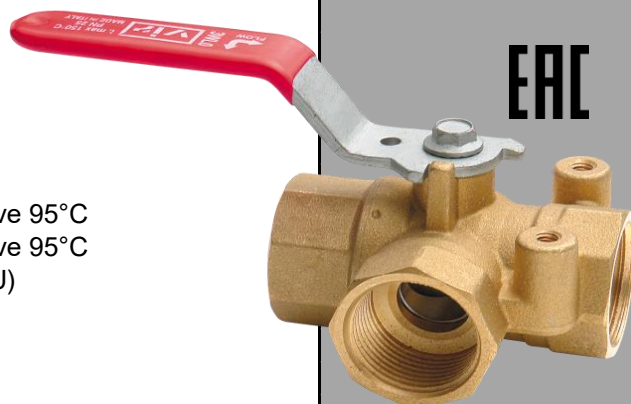
Reduced port "L" type 3-way brass ball valve
Threaded F/F/F (ISO 228/1)
2 seats sealing
Blow-out proof stem
TR CU 010 compliant

PN25

For DN≤50: max 25bar up to 95°C, max 16bar with air or above 95°C
For DN≥65: max 25bar up to 95°C, max 10bar with air or above 95°C
Free of CE marking (cat. according to Art. 4.3 Dir. 2014/68/EU)

Working conditions

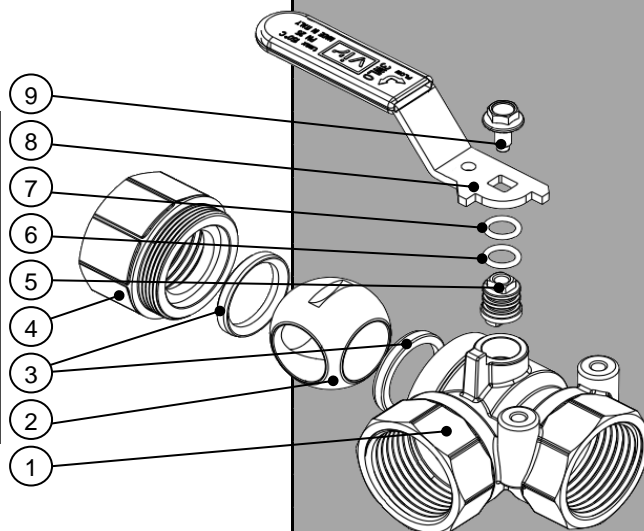
- Suitable for: water, 0°C to +150°C
- Suitable for: air, -10°C to +150°C
- Not suitable for: gases and liquids group 1 (Dir. 2014/68/EU)



ERC

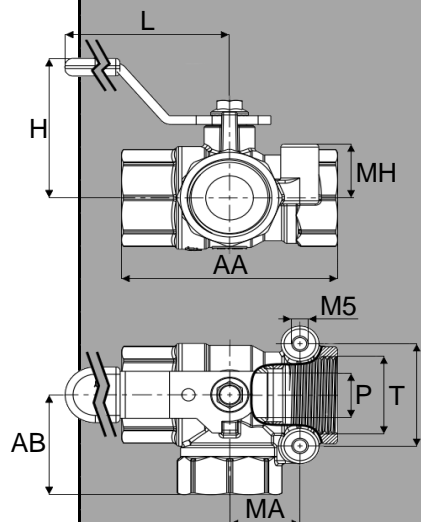
PARTLIST

N.	Part	Material	Norm
1	Body	Ottone	EN12165 CW617N
2	Ball	Ottone	EN12164 CW617N
3	Seat	PTFE	-
4	Fixed end	Ottone	EN12165 CW617N
5	Stem	Ottone	EN12164 CW617N
6	O-ring	FKM	-
7	O-ring	NBR	-
8	Handle	Acciaio	EN10111 Fe P11
9	Screw	Acciaio	EN10025 Fe42



DIMENSIONS

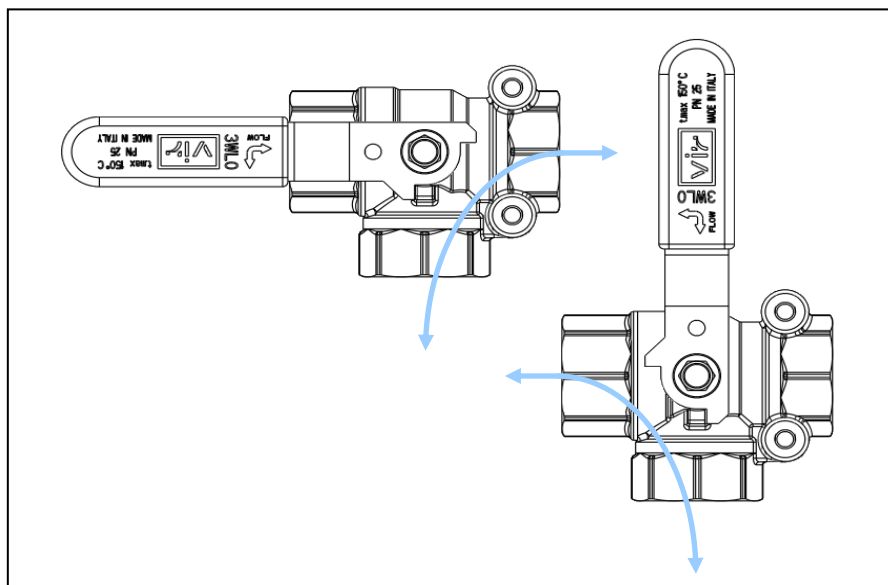
DN	T	AA	AB	P	H	L	MA	MH	I	Weight
		[mm]	[mm]	[mm]	[mm]	[mm]	[mm]	[mm]	[mm]	[g]
010	3/8"	49	25	10	35	81	13	15	28,5	167
015	1/2"	56	28	10	35	81	13	15	28,5	214
020	3/4"	68	34	15	38	91,5	22	18	34,8	391
025	1"	80	40	20	50	91,5	22	22	34,8	599
032	1 1/4"	91	46	25	54	126,5	24	27	38,1	909
040	1 1/2"	102	51	32	60	126,5	24	31	38,1	1325
050	2"	120	60	40	73	141,5	24	45	38,1	2219
065	2 1/2"	143	78	50	82	141,5	24	53	38,1	3776
080	3"	170	93	65	130	281,3	29	62	50,0	5896



200513

WORKING DIAGRAM

The arrows printed on the handle allow one to easily identify which ends are connected.



Via Circonvallazione, 10
13018 Valduggia (VC), Italy
Tel: +39 0163 47891
Fax: +39 0163 47895
www.vironline.com