

39BVF

Stainless Steel Ball Valve With Connection for Actuator



Via Circonvallazione, 10
13018 Valduggia (VC), Italy
Tel: +39 0163 47891
Fax: +39 0163 47895
www.vironline.com



Stainless steel ball valve with connection for actuator
Threaded F/F (ISO 7/1 Rp)
Actuator connection according to ISO 5211
Testing according to API598
TR CU 010 compliant

PN64 for DN≤50 (max 64bar up to 85°C, max 20bar above)
PN50 for DN≥65 (max 50bar up to 85°C, max 10bar above)
Free of CE marking (cat. according to Art. 4.3 Dir. 2014/68/EU)

Working conditions

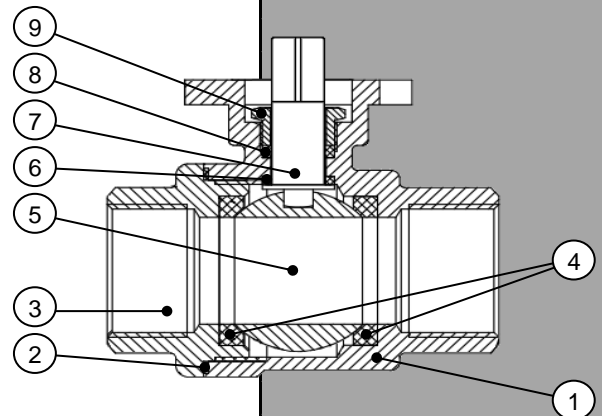
- Suitable for: water, -20°C to +180°C
below 0°C only for water with added antifreeze fluids
- Not suitable for: gases group 1 & 2, liquids group 1 (Dir. 2014/68/EU)



ERC

PARTLIST

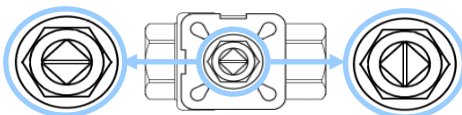
N.	Part	Material	Norm
1	Body	Stainless steel	AISI 316
2	Gasket	PTFE	-
3	Fixed End	Stainless steel	AISI 316
4	Seat	PTFE	-
5	Ball	Stainless steel	AISI 316
6	Antifriction ring	PTFE	-
7	Stem	Stainless steel	AISI 316
8	Packing ring	PTFE	-
9	Packing nut	Stainless steel	AISI 201



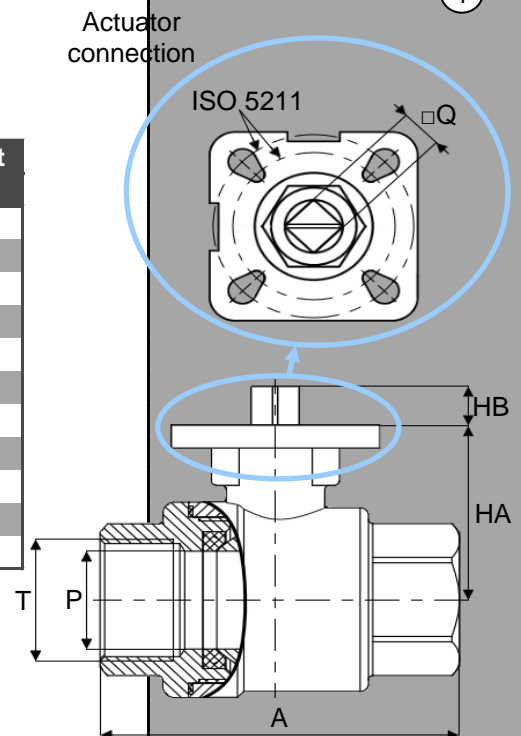
DIMENSIONS

DN	T	A [mm]	P [mm]	HA [mm]	HB [mm]	ISO-□Q [mm]	Torque [Nm]	Weight [g]
008	1/8"	52	12,5	30	7,5	F03/F04 - □9	3,0	350
010	1/4"	52	12,5	30	7,5	F03/F04 - □9	3,0	340
015	1/2"	54	15,0	37	8,0	F03/F04 - □9	3,5	310
020	3/4"	65	20,0	40	8,0	F04/F05 - □9	6,0	430
025	1"	72	25,0	49	10,0	F04/F05 - □11	6,0	705
032	1 1/4"	82	32,0	53	10,0	F04/F05 - □11	7,5	1000
040	1 1/2"	95	40,0	62	14,0	F05/F07 - □14	18	1400
050	2"	109	50,0	70	14,0	F05/F07 - □14	28	1950
065	2 1/2"	143	65,0	93	18,5	F07/F10 - □17	32	4110
080	3"	162	80,0	106	18,5	F07/F10 - □17	38	5560
100	4"	213	100,0	126	18,5	F07/F10 - □17	80	8600

Opened valve:
notch
parallel
to flow



Closed valve:
notch
perpendicular
to flow



201008

FITTING VIR ACTUATORS

DN	Cutter-AQ electric act.	Hovercraft pneumatic act. ²	
	230VAC / 24VDC	Double effect	Spring return
008	KACUTAQ00.800 ¹	KAHOVER15.801 ³	KAHOVER29.801 ³
010	KACUTAQ00.800 ¹	KAHOVER15.801 ³	KAHOVER29.801 ³
015	KACUTAQ00.800 ¹	KAHOVER15.801 ³	KAHOVER29.801 ³
020	KACUTAQ00.800 ¹	KAHOVER15.801	KAHOVER29.801
025	KACUTAQ00.800 ¹	KAHOVER15.801	KAHOVER29.801
032	KACUTAQ00.800	KAHOVER15.801	KAHOVER29.801
040	KACUTAQ01.800	KAHOVER15.801	KAHOVER31.801
050	KACUTAQ02.800	KAHOVER17.801	KAHOVER32.802
065	KACUTAQ02.800	KAHOVER17.801	KAHOVER32.802
080	KACUTAQ02.800	KAHOVER17.801	KAHOVER34.802
100	su richiesta	KAHOVER19.801	KAHOVER35.802

¹SLOOP-II actuators may also be used

²Pneumatic actuators sized on 6bar air supply

³Flange adaptors required

Mounting of proposed actuators may require specific square connection adaptors

Technical description and dimensions of actuators as reported in their specific technical sheets



Via Circonvallazione, 10
 13018 Valduggia (VC), Italy
 Tel: +39 0163 47891
 Fax: +39 0163 47895
 www.vironline.com