

390G

Ductile Iron Ball Valve for Gas



Via Circonvallazione, 10
13018 Valduggia (VC), Italy
Tel: +39 0163 47891
Fax: +39 0163 47895
www.vironline.com



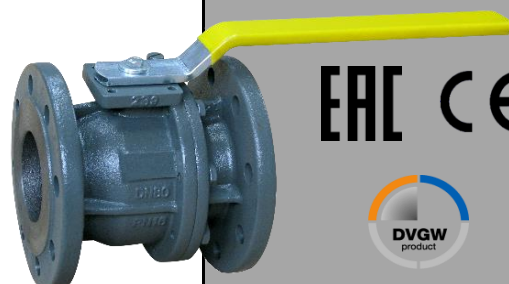
Ductile iron GGG40 ball valve
Flanged PN16 according to EN1092-2 (ex DIN2533)
Testing according to EN12266-1
Lengths according to EN558-1 series 14 (ex DIN3202 F4)
(EN558-1 series 15, ex DIN3202 F5, for DN200)
Version with locking device or actuator also available
DVGW 3574-1 certified
TR CU 010 compliant

PN16

CE marked (DN25 excluded, categorization according Dir. 2014/68/EU)

Working conditions

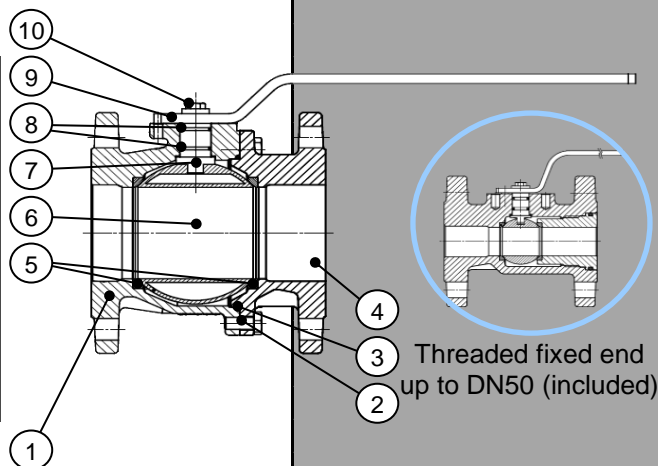
- Suitable for: gas, -20°C to +60°C
(suitable for EN 13774 PN16 app., not suitable for EN331 app.)



PARTLIST

| N. | Part | Material | Norm |
|----|-------------------|--------------------|---------|
| 1 | Body | Ductile iron | GGG40 |
| 2 | Bolt ¹ | Zinc plated steel | - |
| 3 | Body O-ring | PTFE | - |
| 4 | Fixed end | Ductile iron | GGG40 |
| 5 | Seat | PTFE | - |
| 6 | Ball | Chromium pl. brass | MS58 |
| 7 | Stem | Stainless steel | X20Cr13 |
| 8 | Stem O-ring | FKM | - |
| 9 | Handle | Iron | St37-2 |
| 10 | Bolt | Zinc plated steel | - |

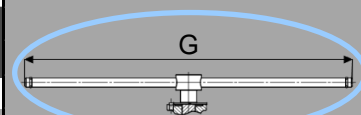
¹For DN≥65 only (threaded configuration used for smaller diameters)



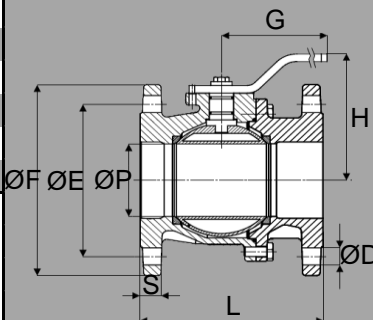
Threaded fixed end up to DN50 (included)

DIMENSIONS

| DN | ØF [mm] | ØE [mm] | S [mm] | NxØD [mm] | L [mm] | H [mm] | G [mm] | D [mm] | K _v [m ³ /h] | Weight [kg] | ISO-□Q [mm] |
|-----|---------|---------|--------|-----------|--------|--------|--------|--------|------------------------------------|-------------|-------------|
| 025 | 115 | 85 | 18 | 4x14 | 125 | 76 | 150 | 25 | 15 | 3,5 | F03 - □11 |
| 032 | 140 | 100 | 18 | 4x18 | 130 | 92 | 235 | 31 | 35 | 5,3 | F04 - □14 |
| 040 | 150 | 110 | 18 | 4x18 | 140 | 97 | 235 | 39 | 65 | 6,6 | F05 - □14 |
| 050 | 165 | 125 | 20 | 4x18 | 150 | 105 | 271 | 49 | 95 | 8,8 | F05 - □14 |
| 065 | 185 | 145 | 18 | 4x18 | 170 | 124 | 288 | 63 | 130 | 11,4 | F07 - □17 |
| 080 | 200 | 160 | 20 | 8x18 | 180 | 133 | 288 | 76 | 315 | 14,0 | F07 - □17 |
| 100 | 220 | 180 | 20 | 8x18 | 190 | 153 | 288 | 100 | 685 | 17,0 | F07 - □17 |
| 125 | 250 | 210 | 22 | 8x18 | 200 | 183 | 541 | 125 | 895 | 30,0 | F10 - □22 |
| 150 | 285 | 240 | 22 | 8x22 | 210 | 203 | 541 | 150 | 1423 | 37,0 | F10 - □22 |
| 200 | 340 | 295 | 24 | 12x22 | 400 | 316 | 1000 | 200 | 2480 | 84,0 | F12 - □27 |



For DN200 only



210517