

390

Ductile Iron Ball Valve



Via Circonvallazione, 10
13018 Valduggia (VC), Italy
Tel: +39 0163 47891
Fax: +39 0163 47895
www.vironline.com

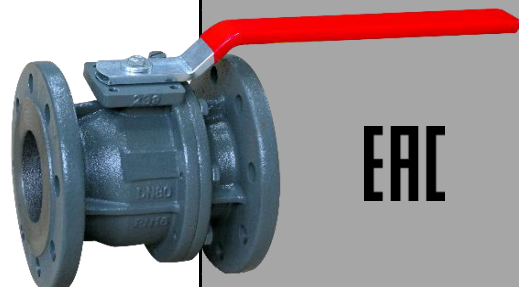


Ductile iron GGG40 ball valve
Flanged PN16 according to EN1092-2 (ex DIN2533)
Testing according to EN12266-1
Lengths according to EN558-1 series 14 (ex DIN3202 F4)
(EN558-1 series 15, ex DIN3202 F5, for DN200)
Version with locking device or actuator also available
TR CU 010 compliant

PN16
Free of CE marking (cat. according to Art. 4.3 Dir. 2014/68/EU)

Working conditions

- Suitable for: water, 0°C to +90°C
- Not suitable for: gases group 1 & 2, liquids group 1 (Dir. 2014/68/UE)

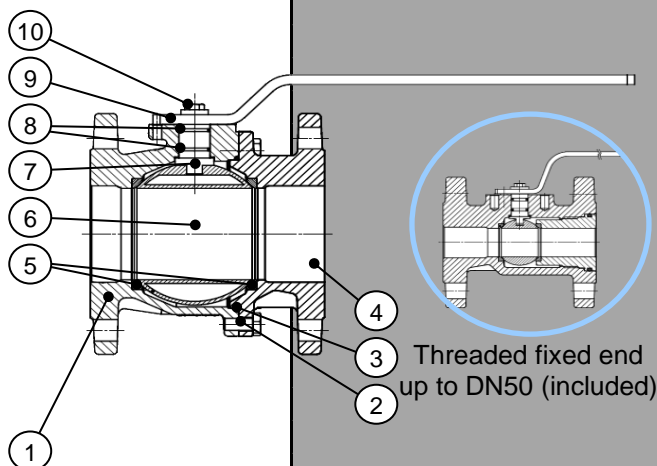


EAC

PARTLIST

N.	Part	Material	Norm
1	Body	Ductile iron	GGG40
2	Bolt ¹	Zinc plated steel	-
3	Body O-ring	NBR	-
4	Fixed end	Ductile iron	GGG40
5	Seat	PTFE	-
6	Ball	Chromium pl. brass	MS58
7	Stem	Brass	MS58
8	Stem O-ring	NBR	-
9	Handle	Iron	St37-3
10	Bolt	Zinc plated steel	-

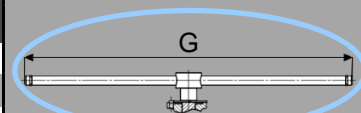
¹For DN≥65 only (threaded configuration used for smaller diameters)



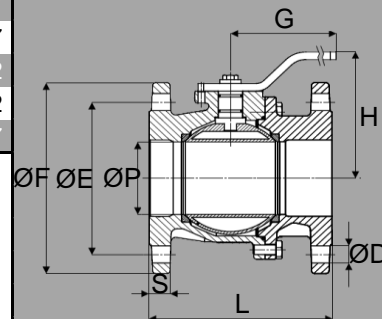
Threaded fixed end up to DN50 (included)

DIMENSIONS

DN	ØF [mm]	ØE [mm]	S [mm]	NxØD [mm]	L [mm]	H [mm]	G [mm]	D [mm]	K _v [m ³ /h]	Weight [kg]	ISO-□Q [mm]
025	115	85	18	4x14	125	76	150	25	15	3,5	F03 - □11
032	140	100	18	4x18	130	92	235	31	35	5,3	F04 - □14
040	150	110	18	4x18	140	97	235	39	65	6,6	F05 - □14
050	165	125	20	4x18	150	105	271	49	95	8,8	F05 - □14
065	185	145	18	4x18	170	124	288	63	130	11,4	F07 - □17
080	200	160	20	8x18	180	133	288	76	315	14,0	F07 - □17
100	220	180	20	8x18	190	153	288	100	685	17,0	F07 - □17
125	250	210	22	8x18	200	183	541	125	895	30,0	F10 - □22
150	285	240	22	8x22	210	203	541	150	1423	37,0	F10 - □22
200	340	295	24	12x22	400	316	1000	200	2480	84,0	F12 - □27



For DN200 only



210517