

380

Full Port Bronze Ball Valve



Via Circonvallazione, 10
13018 Valduggia (VC), Italy
Tel: +39 0163 47891
Fax: +39 0163 47895
www.vironline.com

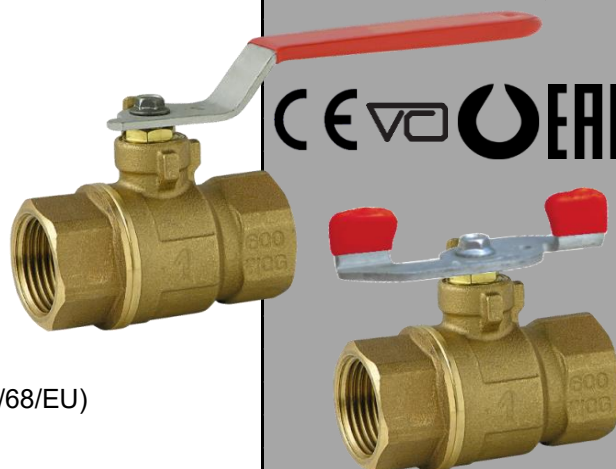


Full port bronze ball valve
Threaded F/F (ISO 228/1)
(available on request with ASME B1.20.1 NPT threads)
Design according to MSS-SP110
Air testing according to EN12266-1
Blow-out proof stem, adjustable packing
With handle or butterfly (up to DN≤50)
VA and TR CU 010 compliant
Optional GDV compliant version available

PN40 for DN≤50 (max 40bar up to 95°C, max 10bar at 185°C)
PN25 for DN≥65 (max 25bar up to 95°C, max 10bar at 185°C)
Free of CE marking for DN≤32 (cat. according to Art. 4.3 Dir. 2014/68/EU)

Working conditions

- Suitable for: water, -10°C to +185°C;
below 0°C only for water with added antifreeze fluids
- Suitable for: air, -10°C to +185°C
- Not suitable for: gases and liquids group 1 (Dir. 2014/68/EU)

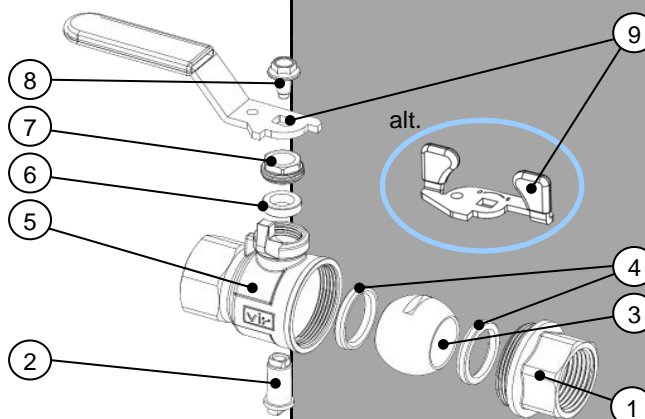


PARTLIST

N.	Part	Material	Norm
1	Fixed End	Bronze	EN1982 CB491K
2	Stem	Brass	EN12164 CW617N
3	Ball	Chromium pl. brass ¹	EN12165 CW617N
4	Seat	PTFE	-
5	Body	Bronze	EN1982 CB491K
6	Packing ring	PTFE	-
7	Packing nut	Brass	EN12164 CW617N
8	Screw	Geomet steel	EN10025 Fe42
9	Handle	Geomet steel ²	EN10025 Fe P11
9 _{alt.}	Butterfly	Geomet steel ²	EN10025 Fe P11

¹PTFE coated ball for GDV version

²With red PVC cover



DIMENSIONS

DN	T	A	C	P	HL	L	HF	F	K _v	Weight
		[mm]	[mm]	[mm]	[mm]	[mm]	[mm]	[mm]	[m ³ /h]	[g]
010	3/8"	46	12,5	10	39	81,0	45	52	5,8	139 / 132 ¹
015	1/2"	57	15,5	15	54	91,5	54	62	15,7	259 / 246 ¹
020	3/4"	67	16,5	20	58	91,5	58	62	30,8	364 / 351 ¹
025	1"	77	19,5	25	65	126,5	69	83	49,3	597 / 573 ¹
032	1 1/4"	91	21,5	32	71	126,5	75	83	79,0	926 / 902 ¹
040	1 1/2"	103	21,5	40	83	141,5	93	110	125,3	1414 / 1386 ¹
050	2"	122	25,0	50	91	141,5	101	110	224,2	2102 / 2074 ¹
065	2 1/2"	153	30,0	65	119	281,3	-	-	330,2	4366
080	3"	179	34,0	80	131	281,3	-	-	419,4	6200

¹Weight for lever handle version / weight for butterfly handle version

