

365

Full Port DZR Brass Ball Valve



Via Circonvallazione, 10
13018 Valduggia (VC), Italy
Tel: +39 0163 47891
Fax: +39 0163 47895
www.vironline.com



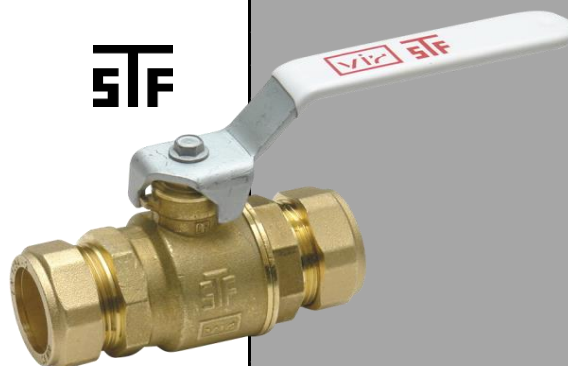
®

Full port DZR brass ball valve
Olive and nut (O/N) for European copper tubing (EN1057)
Air testing according to EN12266-1
Blow-out proof stem, adjustable packing
STF compliant

PN25 (max 25bar up to 95°C, max 16bar at 150°C)
PN16 when used with air
Free of CE marking (cat. according to Art. 4.3 Dir. 2014/68/EU)

Working conditions

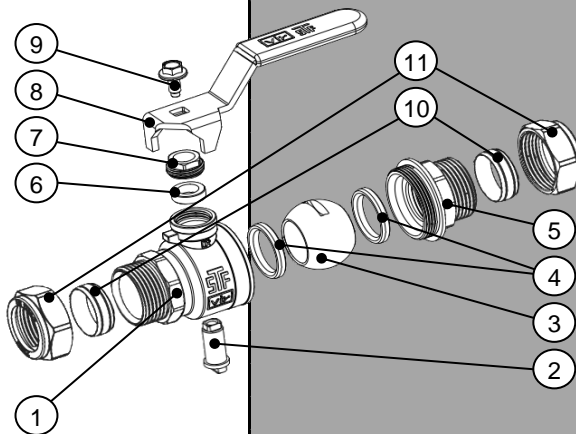
- Suitable for: water, 0°C to +150°C
- Suitable for: air, -10°C to +150°C
- Not suitable for: gases and liquids group 1 (Dir. 2014/68/EU)



PARTLIST

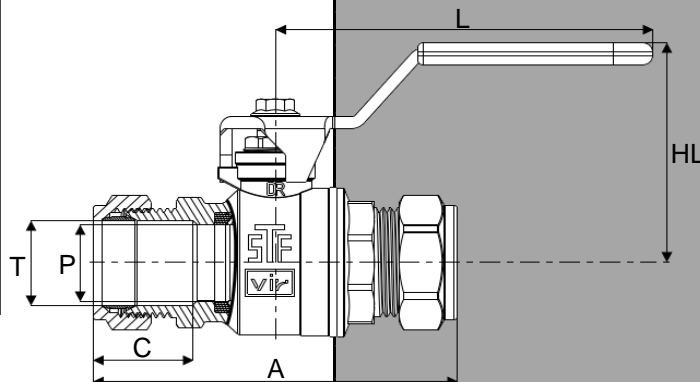
N.	Part	Material	Norm
1	Body	DZR brass	EN12165 CW602N
2	Stem	DZR brass	EN12164 CW602N
3	Ball	Chr. pl. DZR brass	EN12164 CW602N
4	Seat	PTFE	-
5	Fixed end	DZR brass	EN12165 CW602N
6	Packing ring	PTFE	-
7	Packing nut	Brass	EN12164 CW617N
8	Handle	Geomet steel ¹	EN10111 Fe P11
9	Screw	Geomet steel	EN10025 Fe42
10	Olive	Low lead brass	EN12449 CW508L
11	Nut	Brass	EN12164 CW617N

¹With white PVC cover



DIMENSIONS

DN	T	A	C	P	HL	L	Weight
		[mm]	[mm]	[mm]	[mm]	[mm]	[g]
012	12,2	70,0	21,0	10	39	81,0	185
015	15,2	76,5	20,5	14	54	91,5	307
018	18,2	76,5	22,0	15	54	91,5	322
022	22,2	88,0	24,0	20	58	126,5	445
028	28,2	102,5	25,0	25	67	126,5	745
035	35,2	119,0	25,5	32	72	126,5	1184
042	42,2	130,0	26,0	40	82	141,5	1839
054	57,2	160,0	31,0	50	90	141,5	3134



201215