

340LN

Full Port "Long Neck" Brass Ball Valve



Via Circonvallazione, 10
13018 Valduggia (VC), Italy
Tel: +39 0163 47891
Fax: +39 0163 47895
www.vironline.com



Full port "long neck" brass ball valve
Threaded F/F (ISO 228/1)
Air testing according EN12266-1
Adjustable packing
ACS and VA compliant

PN25 (Max 25bar up to 110°C, max 16bar above)
When used with air max 20bar up to 110°C, max 16bar above
Free of CE marking (cat. according to Art. 4.3 Dir. 2014/68/EU)

Working conditions:

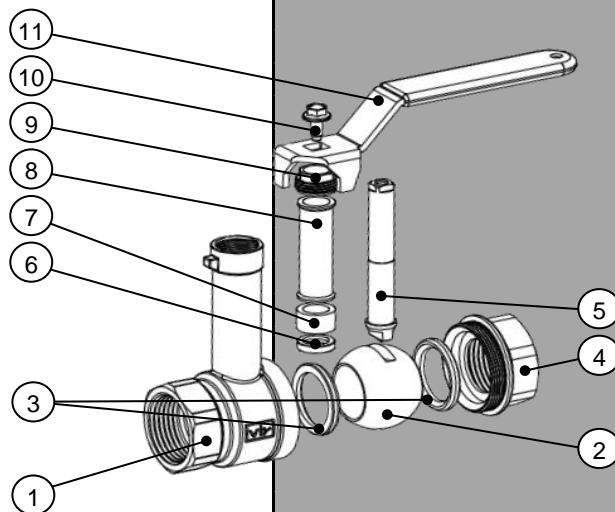
- Suitable for: water, 0°C to +150°C
- Suitable for: air, -10°C to +150°C
- Not suitable for: gases and liquids group 1 (Dir. 2014/68/EU)



PARTLIST

N.	Part	Material	Norm
1	Body	Chromium pl. Brass	EN12165 CW617N
2	Ball	Chromium pl. brass	EN12165 CW617N
3	Seat	PTFE	-
4	Fixed End	Chromium pl. Brass	EN12165 CW617N
5	Stem	Brass	EN12164 CW617N
6	Antifriction ring	DZR Brass	EN12164 CW602N
7	Packing ring	Graphite	-
8	Packing nut ext.	Brass	EN12164 CW617N
9	Packing nut	Brass	EN12164 CW617N
10	Screw	Geomet steel	EN10025 Fe42
11	Handle	Geomet steel ¹	EN10025 Fe P11

¹With blue PVC cover



DIMENSIONS

DN	T	A	C	P	HL	L	K _v	Weight
		[mm]	[mm]	[mm]	[mm]	[mm]	[m ³ /h]	[g]
010	3/8"	40	9,0	10	96	91,5	5,8	225
015	1/2"	49	11,5	15	98	91,5	15,7	300
020	3/4"	58	12,0	20	101	91,5	30,8	395
025	1"	67	14,5	25	110	126,5	49,3	630
032	1 1/4"	81	16,0	32	120	126,5	79,0	900
040	1 1/2"	94	17,0	40	132	141,5	125,3	1370
050	2"	110	19,0	50	140	141,5	224,2	1945

