

340J

Full Port Grooved Brass Ball Valve



Via Circonvallazione, 10
13018 Valduggia (VC), Italy
Tel: +39 0163 47891
Fax: +39 0163 47895
www.vironline.com

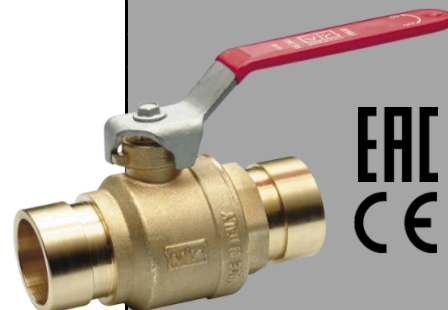


Full port brass ball valve
Grooved (ANSI/AWWA C606 / Metric)
Design according to MSS-SP110
Air testing according to EN12266-1
Blow-out proof stem, adjustable packing
TR CU 010 compliant

PN40 for DN≤50 (Max 40bar up to 95°C, max 25bar at 150°C)
PN25 for DN≥65 (Max 25bar up to 95°C, max 16bar at 150°C)
Free of CE marking for DN≤32 (cat. according to Art. 4.3 Dir. 2014/68/EU)

Working conditions

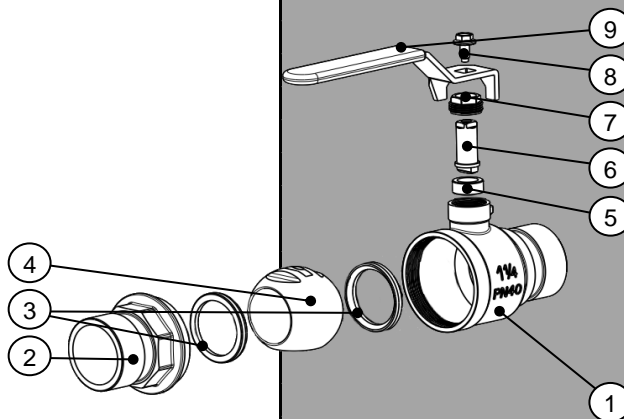
- Suitable for: water, 0°C to +150°C
- Suitable for: air, -10°C to +150°C
- Not suitable for: gases and liquids group 1 (Dir. 2014/68/UE)



PARTLIST

N.	Part	Material	Norm
1	Body	Brass	EN12165 CW617N
2	Fixed end	Brass	EN12165 CW617N
3	Ball	Chromium pl. brass	EN12165 CW617N
4	Seat	PTFE	-
5	Packing ring	PTFE	-
6	Stem	Brass	EN12164 CW617N
7	Packing nut	Brass	EN12164 CW617N
8	Screw	Geomet steel	EN10025 Fe42
9	Handle	Geomet steel ¹	EN10111 Fe P11

¹With red PVC cover



DIMENSIONS

DN	ØG [mm]	ØC [mm]	A [mm]	P [mm]	HL [mm]	L [mm]	K _v [m ³ /h]	Weight [g]
032	42,2	38,9	109,0	32,0	71,9	126,5	79,0	931
040	48,3	45,0	123,6	40,0	82,3	141,5	125,3	1329
050	60,4	57,1	134,8	50,0	90,0	141,5	224,2	2009
065	76,1 ¹	72,1	156,3	65,0	116,9	201,5	330,2	3440
080	89,5	84,9	174,4	77,7	131,8	281,0	419,4	5512

¹Metric groove standard

