

340G

Full Port Brass Ball Valve for Gas



Via Circonvallazione, 10
13018 Valduggia (VC), Italy
Tel: +39 0163 47891
Fax: +39 0163 47895
www.vironline.com



Full port brass ball valve
Threaded F/F (ISO 7/1 Rc)
Design according to EN331
Air testing according to EN12266-1
Blow-out proof stem
With handle or butterfly
Also available with lockable lever
EN331 and TR CU 010 compliant

PN25

CE marked according to PED (cat. according Dir. 2014/68/EU) and EN331

Working conditions

- Suitable for: gas, -20°C to +60°C, pressure class MOP5 (for 1°, 2° and 3° gases according to EN437)



euroGAS

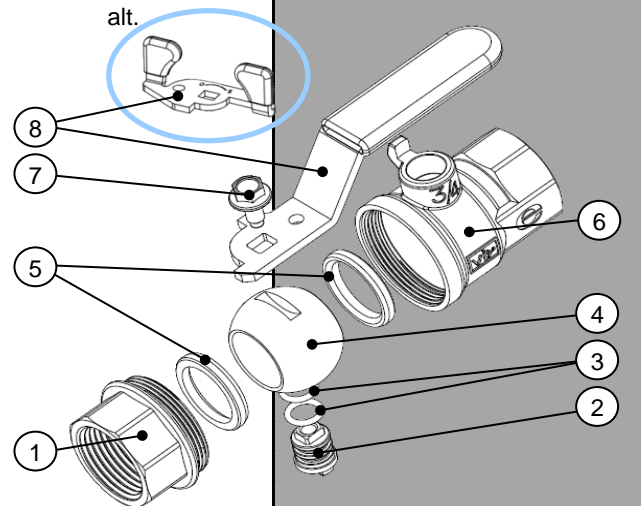
UNI EN 331



PARTLIST

N.	Part	Material	Norm
1	Fixed end	Nickel pl. brass	EN12165 CW617N
2	Stem	Brass	EN12164 CW617N
3	O-ring	FKM	-
4	Ball	Chromium pl. Brass	EN12165 CW617N
5	Seat	PTFE	-
6	Body	Nickel pl. Brass	EN12165 CW617N
7	Screw	Zinc plated steel	EN10025 Fe42
8	Handle	Zinc plated steel ¹	EN10111 Fe P11
8 _{alt.}	Butterfly	Zinc plated steel ¹	EN10111 Fe P11

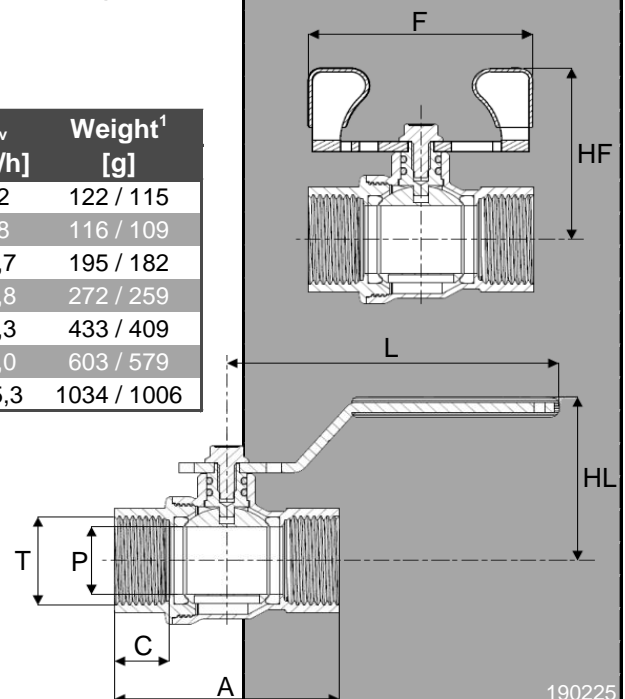
¹With yellow PVC cover



DIMENSIONS

DN	T	A	C	P	HL	L	HF	F	K _v	Weight ¹
		[mm]	[mm]	[mm]	[mm]	[mm]	[mm]	[mm]	[m ³ /h]	[g]
008	¼"	44	11,5	10	35	81,0	40	52	3,2	122 / 115
010	⅜"	44	11,5	10	35	81,0	40	52	5,8	116 / 109
015	½"	54	14,0	15	46	91,5	46	62	15,7	195 / 182
020	¾"	62	15,0	20	49	91,5	49	62	30,8	272 / 259
025	1"	73	18,0	25	53	126,5	57	83	49,3	433 / 409
032	1¼"	83	18,5	32	58	126,5	62	83	79,0	603 / 579
040	1½"	97	19,5	40	73	141,5	83	110	125,3	1034 / 1006

¹Peso versione con maniglia a leva / peso versione con maniglia a farfalla



190225