

323/324

Mini Brass Ball Valve



Via Circonvallazione, 10
13018 Valduggia (VC), Italy
Tel: +39 0163 47891
Fax: +39 0163 47895
www.vironline.com



Nickel plated mini brass ball valve

Available in the following versions:

- Fig. 323, threaded M/F (ISO 228/1)
- Fig. 324, threaded F/F (ISO 228/1)

Blow-out proof stem

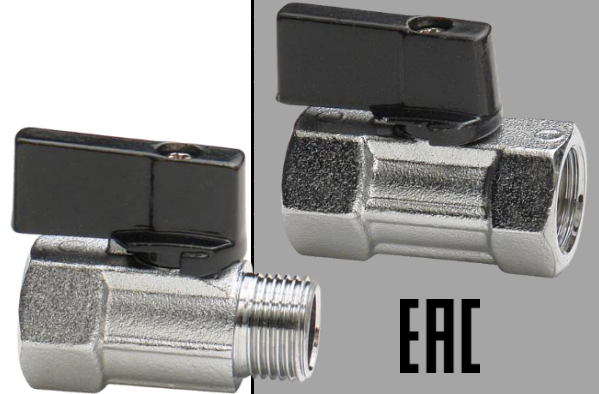
TR CU 010 compliant

PN10

Free of CE marking (cat. according to Art. 4.3 Dir. 2014/68/EU)

Working conditions

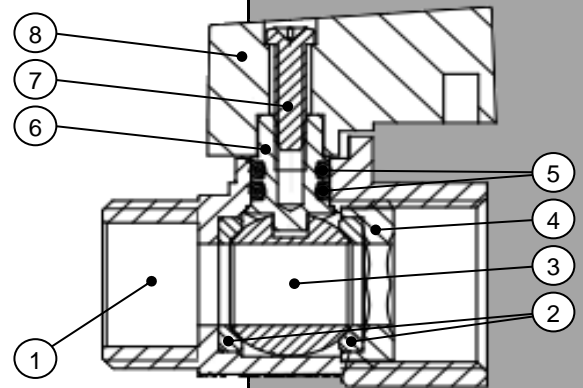
- Suitable for: water, 5°C to +90°C
- Not suitable for: gases group 1 & 2, liquids group 1 (Dir. 2014/68/EU)



EAC

PARTLIST

N.	Part	Material	Norm
1	Body	Nickel plated brass	EN12165 CW617N
2	Seat	PTFE	-
3	Ball	Chromium pl. brass	EN12165 CW614N
4	Ring	Brass	EN12164 CW614N
5	O-ring	NBR	-
6	Stem	Brass	EN12164 CW614N
7	Screw	Brass	EN12164 CW614N
8	Handle	Aluminum	-



DIMENSIONS

DN	T	AA	AB	HL	L	K _v	Weight ¹
		[mm]	[mm]	[mm]	[mm]	[m ³ /h]	[g]
008	¼"	20,9	19,6	32	32	2,7	80 / 95
010	⅜"	20,9	19,6	32	32	2,7	72 / 80
015	½"	22,5	21,5	34	32	3,9	100 / 115
020	¾"	27,0	24,0	36	32	5,8	200 / 210

¹Weight for Fig. 323 / weight for Fig. 324

