

310N

Brass Ball Bib Cock



Via Circonvallazione, 10
13018 Valduggia (VC), Italy
Tel: +39 0163 47891
Fax: +39 0163 47895
www.vironline.com

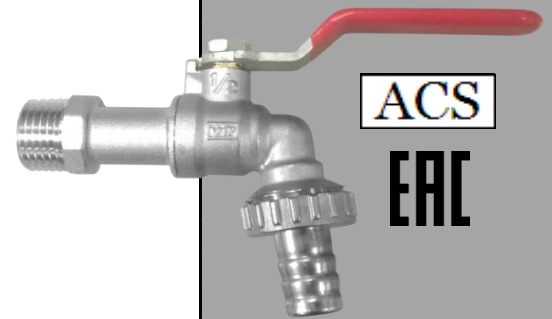


Brass ball bib cock
Threaded M (ISO 228/1) with hose union
Air testing according to EN12266-1
Blow-out proof stem, with handle or butterfly
DN15 and DN20 also available with check cartridge (Fig. 310NR)
TR CU 010 compliant, optional ACS compliant version available

PN16
Free of CE marking (cat. according to Art. 4.3 Dir. 2014/68/EU)

Working conditions

- Suitable for: water, 0°C to +95°C
- Not suitable for: gases group 1 & 2, liquids group 1 (Dir. 2014/68/UE)



PARTLIST

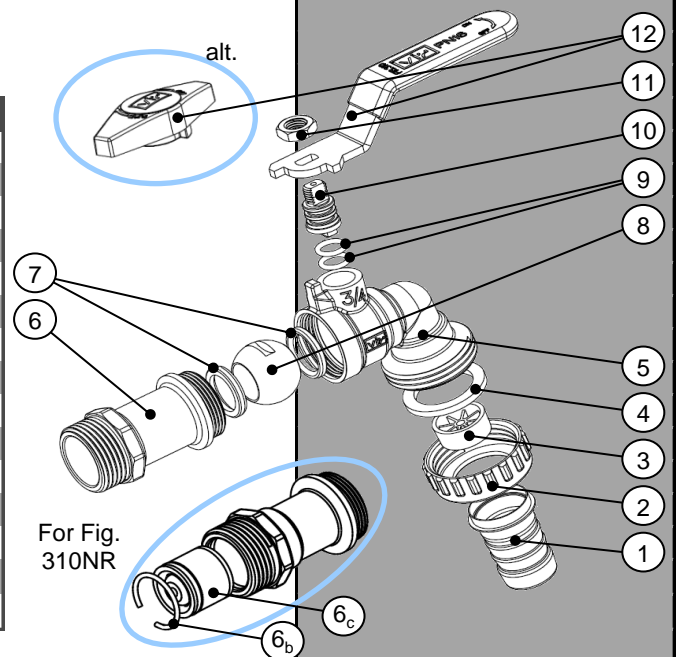
N.	Part	Material	Norm
1	Hose union	Nickel pl. Brass	-
2	Ring	Nickel pl. Brass	-
3	Filter	Plastic	-
4	Gasket	NBR 70SH	-
5	Body	Nickel pl. brass ¹	-
6	Fixed end	Nickel pl. brass ¹	-
6 _b	Spring ring	Stainless steel	-
6 _c	Check cartridge	POM ²	-
7	Seat	PTFE	-
8	Ball	Chromium pl. brass	-
9	O-ring	NBR 70SH	-
10	Stem	Brass	-
11	Screw	Zinc plated steel	-
12	Handle	Dacromet steel ³	-
12 _{alt}	Butterfly	Aluminum ⁴	-

¹Threads and internal parts not plated for ACS version

²EPDM/Silicone gaskets, stainless steel spring

³With red PVC cover

⁴With blue nylon nut cover



DIMENSIONS

DN	G	E	A	D	P	HA	HB	L	HF	F	Weight ¹
		[mm]	[mm]	[mm]	[mm]	[mm]	[mm]	[mm]	[mm]	[mm]	[g]
015	½"	14,7	86,0	12,0	10,0	50	35	81	34	46	180 / 104
020	¾"	20,0	104,0	11,5	14,7	62	45	91	38	55	295 / 260
025	1"	26,0	115,0	13,0	18,5	69	47	91	40	55	450 / 415

¹Weight for lever handle version / weight for butterfly handle version

