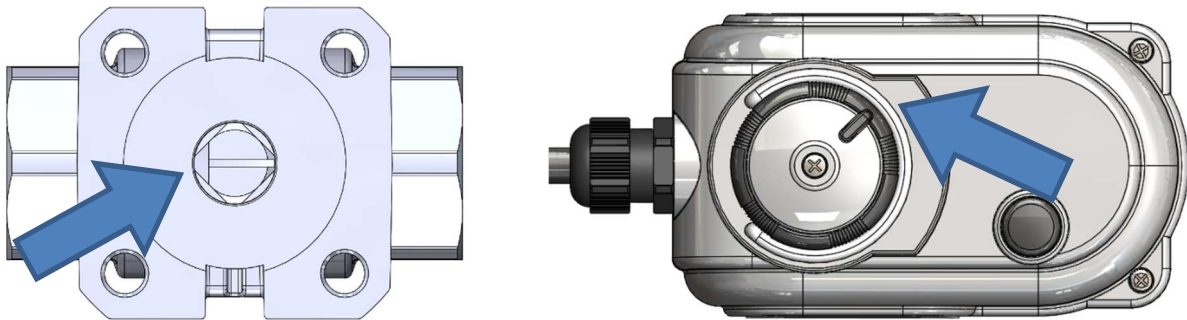


# SLOOP II - Electric actuator INSTRUCTION MANUAL

## INSTALLATION

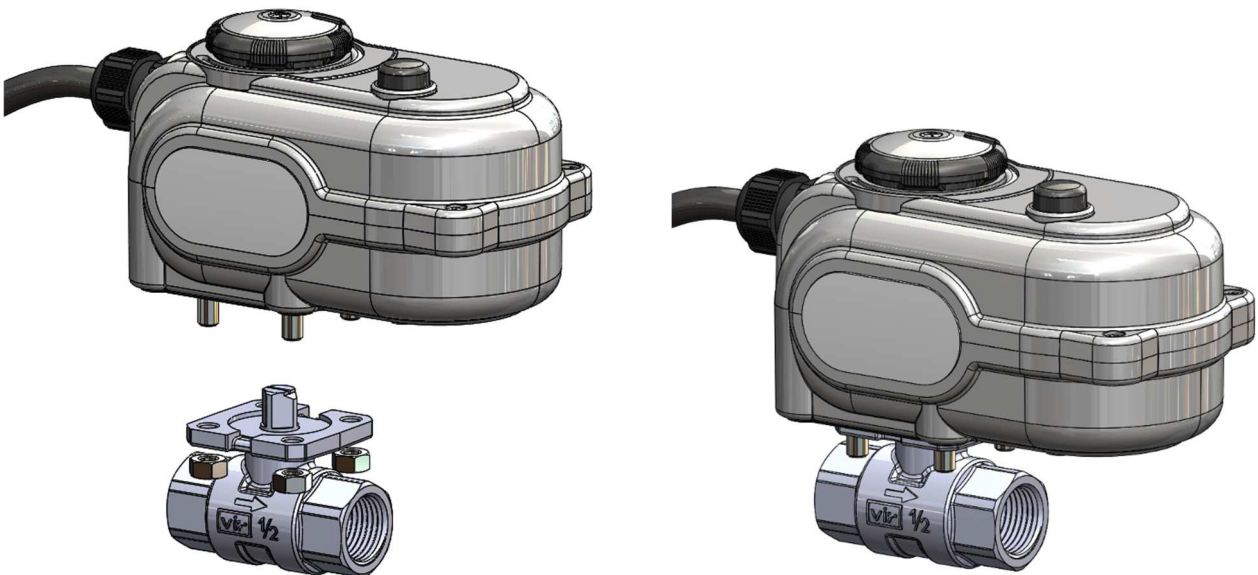
### STEP 1

Check the position of the valve rod and the actuator index



### STEP 2

Fix the actuator on the valve using the appropriate nuts.

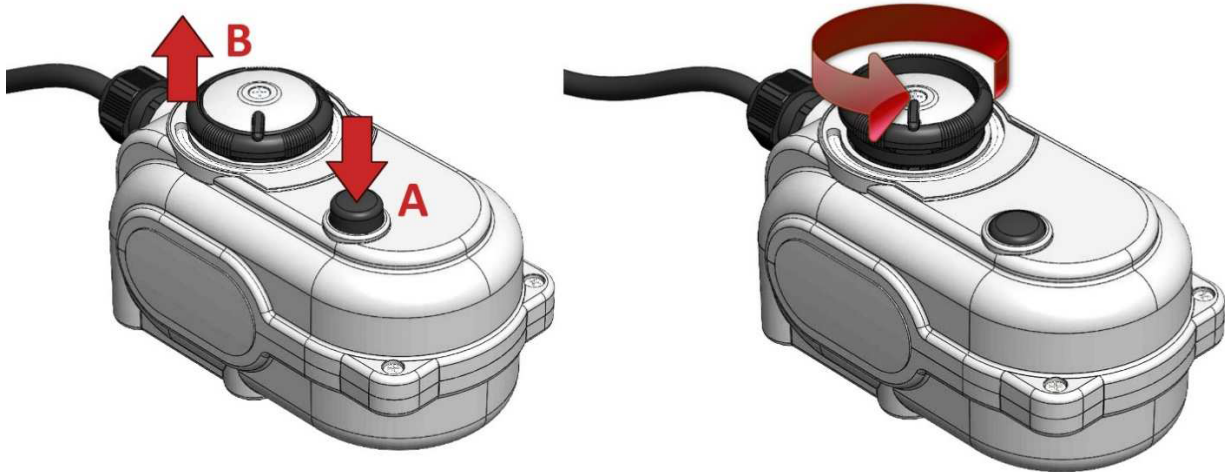


### STEP 3

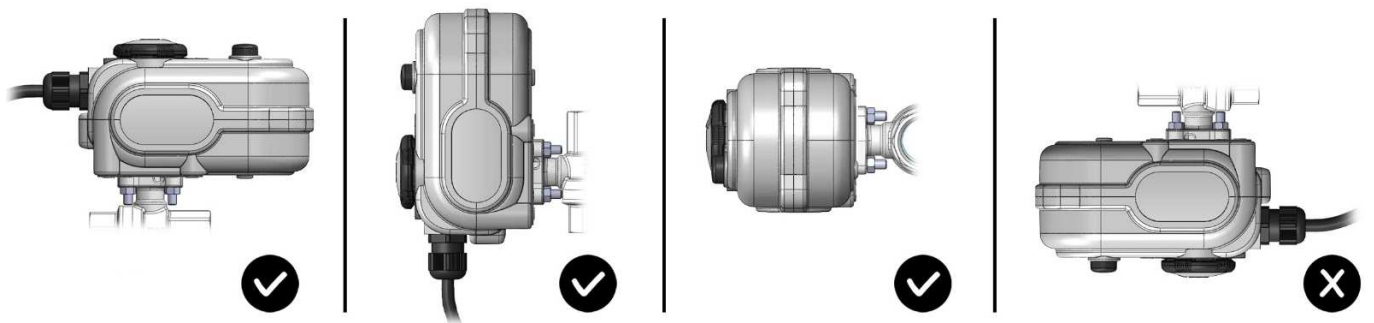
Connect the actuator electrically, checking the electric diagram shown on the actuator

## MANUAL UNLOCK ACTIVATION

For the manual activation, push and keep pressed the button A, raise and rotate the knob B

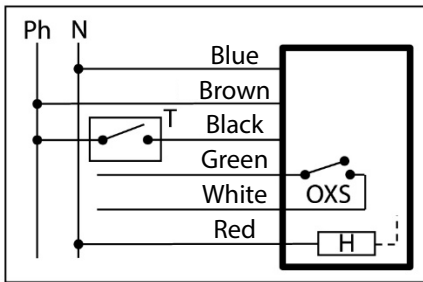


## INSTALLATION POSITIONS

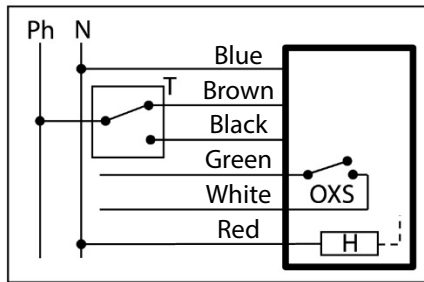


## ELECTRIC CONNECTION AND LED OPERATION

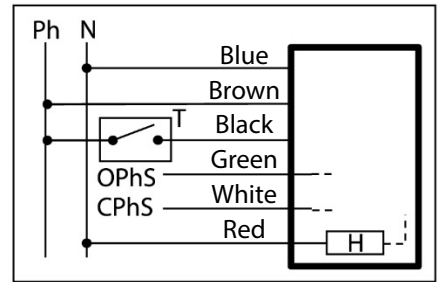
Code	Definition
OXS	Auxiliary micro switch in open position
OPhS	Open position
CPhS	Close position
T	Switch (ex. thermostat)
H	Anti condensation resistance
N	Neutral connection
Ph	Phase connection



KASLOOP22.800  
KASLOOP24.800



KASLOOP25.800  
KASLOOP28.800



KASLOOP32.800  
KASLOOP33.800



### POSITION B

The actuator is in close position. LED are off.

### POSITION A

While traveling from B to A and while maintaining the position (opening phase) the LED are on.

## TECHNICAL DATA

VIR Code	Power Supply	Command	Power
KASLOOP24.800	230 VAC	2 points	6W
KASLOOP28.800	230 VAC	3 points	5W
KASLOOP32.800	230 VAC	2 points	6W
KASLOOP22.800	24 VAC	2 points	6W
KASLOOP25.800	24 VAC	3 points	5W
KASLOOP33.800	24 VAC	2 points	6W

### ATTENTION

The actuator casing must not be removed for any reason. Attempting to open the actuator will have the immediate effect of losing the warranty. In any case, the warranty does not cover a product damaged due to incorrect handling or carelessness during installation.

Check the voltage carefully during the installation and make sure it is compatible with the actuator.

Make sure that the power supply is disconnected while the electrical connections are being made.

Check the electrical connections before powering the actuator. Short circuits or improperly connected cables could cause permanent damage to the electrical components of the actuator.

This product falls within the scope of Directive 2012/19/EU relating to waste management of electrical and electronic equipment (WEEE).