

Accessory

Convertible Monostable Solenoid Valve for Pneumatic Actuator



Via Circonvallazione, 10
13018 Valduggia (VC), Italy
Tel: +39 0163 47891
Fax: +39 0163 47895
www.vironline.com



Convertible monostable solenoid valve for pneumatic actuator
Body and internal parts in technopolymer
Gaskets in nitrile rubber
Screws in zinc-coated steel
Suitable for both double effect and spring return actuators
With electric connector (IP65 enclosure protection)
CE compliant

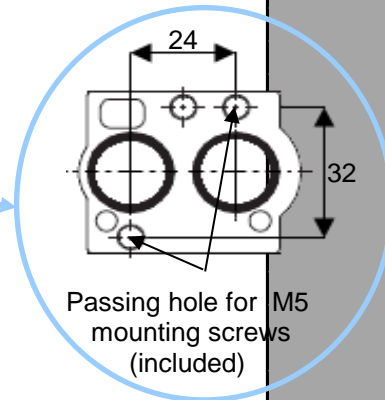
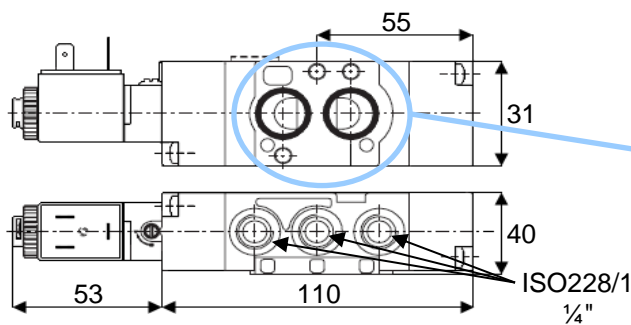
Power supply 50Hz or 60Hz
Available in two standard versions for 230VAC or 24VAC
Versions for 110VAC, 12VDC or 24VDC on request

NAMUR VDI/VDE 3847 connection for actuator
ISO228/1 1/4" connection for supply fluid
Supply fluid pressures from 2,5bar to 10bar
Nominal bore diameter: 8mm
Flow at 6bar with $\Delta p=1$: 1100NI/min
Working conditions: -5°C to +50°C.



DIMENSIONS

Dimension in mm, weight 0,17kg



PNEUMATIC DIAGRAM AND MOUNTING

