

Sloop II

Electric Actuator



Via Circonvallazione, 10
13018 Valduggia (VC), Italy
Tel: +39 0163 47891
Fax: +39 0163 47895
www.vironline.com



Electric actuator with ISO 5211 connection
Double insulated cover according CEI/EN 60335-1
Max torque 15Nm, working torque 8Nm
Travel 90° in 60 seconds
Manual override, integral heater
F05 connection, stem connection □9mm or □11mm
With 80cm electric wire
Enclosure protection IP65
CE compliant

Power supply 50Hz/60Hz, versions for 230VAC or 24VAC available
2 points (ON/OFF) or 3 points control
Available in the following versions:

- With auxiliary dry open limit switch (Max 230VC / 6A)
- With open and close limit switches connected to power supply

Working temperature: -10° to +55°C



TECHNICAL DATA

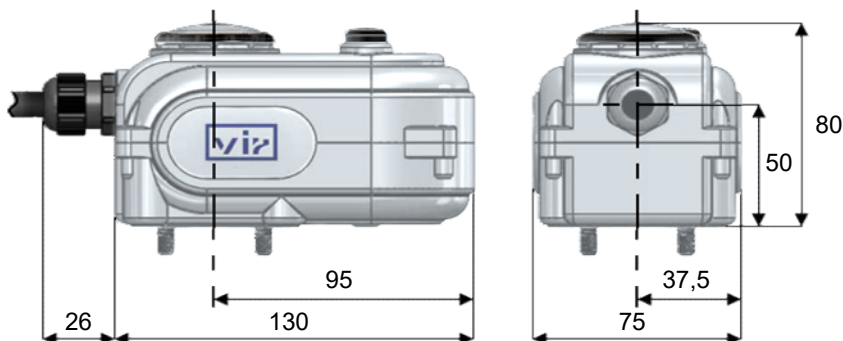
VIR code	P. Supply	Control	Power
KASLOOP24.800	230VAC	2 punti	6W
KASLOOP28.800	230VAC	3 punti	6W
KASLOOP32.800	230VAC	2 punti	6W
KASLOOP22.800	24VAC	2 punti	6W
KASLOOP25.800	24VAC	3 punti	6W
KASLOOP33.800	24VAC	2 punti	6W
KASLOOP34.800*	230VAC	2 punti	6W
KASLOOP35.800**	230 VAC	2 punti	6W
KASLOOP37.800*	24VAC	2 punti	6W

* Variants (KASLOOP34.800 - KASLOOP37.800) with thermal break

** Faster variant (KASLOOP35.800) 10"

DIMENSIONS

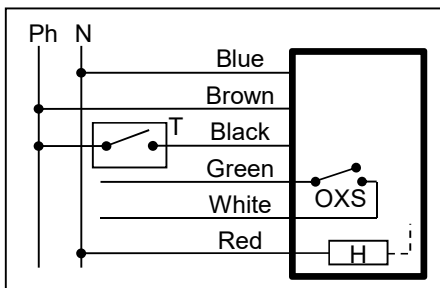
Dimension in mm, weight 0,8kg



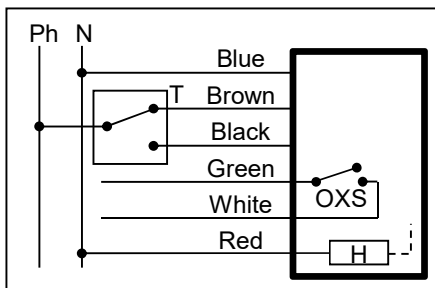
240530

WIRING DIAGRAMS

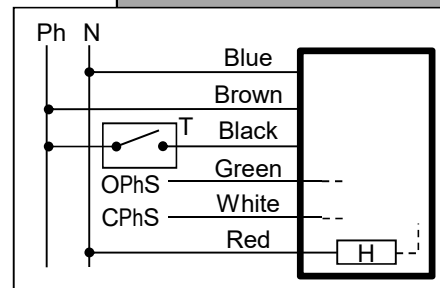
Ref.	Designation
OXS	Auxiliary open limit switch
OPhS	Phase on open actuator
CPhS	Phase on close actuator
T	Control switch (thermostat)
H	Integral heater
N	Wiring to neutral
Ph	Wiring to phase



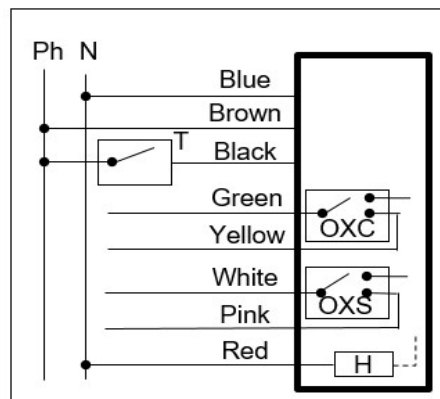
KASLOOP22.800,
KASLOOP24.800,
KASLOOP34.800,
KASLOOP35.800,
KASLOOP37.800.



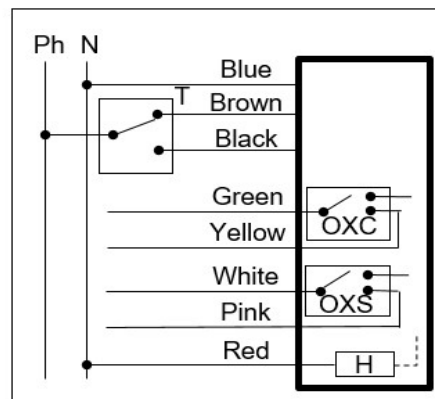
KASLOOP25.800 and
KASLOOP28.800



KASLOOP32.800 and
KASLOOP33.800



KASLOOP37.800
(2 points control)



KASLOOP37.800
(3 points control)



Via Circonvallazione, 10
13018 Valduggia (VC), Italy
Tel: +39 0163 47891
Fax: +39 0163 47895
www.vironline.com