

Accessory

Limit Switch Box For Pneumatic Actuator



Via Circonvallazione, 10
13018 Valduggia (VC), Italy
Tel: +39 0163 47891
Fax: +39 0163 47895
www.vironline.com



Limit switch box for pneumatic actuator
Body, brackets, shaft and cams in technopolymer
Microswitches and electrical board in polyamide
Fasteners in stainless steel AISI 304
Seals in NBR
1 conduit entry ISO M20
NAMUR VDI/VDE 3845 connection for actuator
Enclosure protection: IP65 (Nema 4, 4x)
CE compliant

Cams for microswitch activation adjustable at 2° steps

Available microswitches:

- 1NO/1NC open switch
- 1NO/1NC close switch

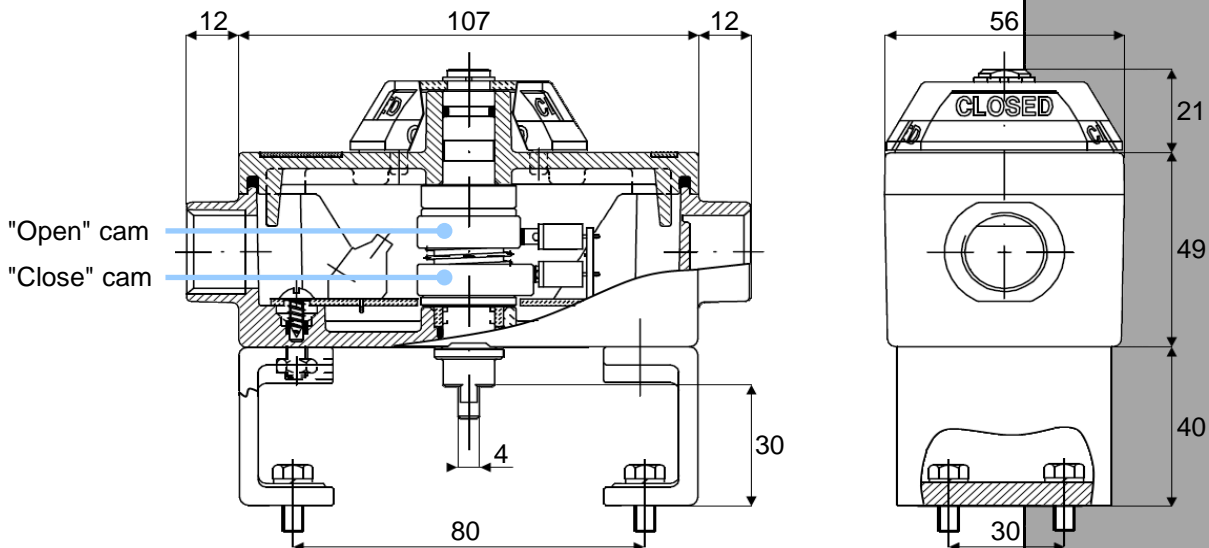
Suitable for dual coil solenoid valves

Working conditions: -20°C to + 80°



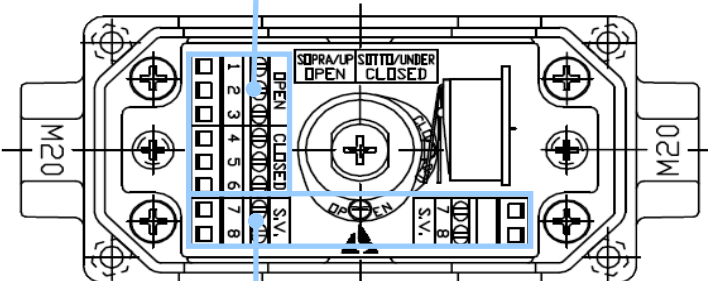
DIMENSIONS

Dimension in mm, weight 0,23kg

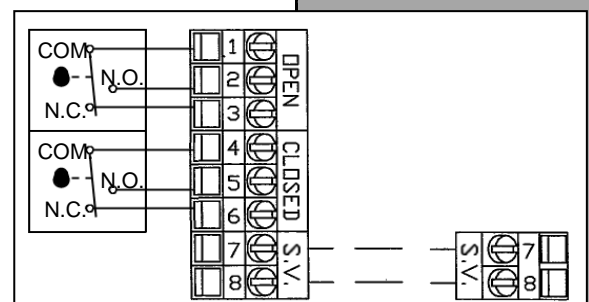


WIRING DIAGRAM

Terminals for limit switches



Terminals for solenoid valves



Wiring diagram

160404