

KGTF-HD

Single Sphere Flanged Rubber Flexible Joint "Heavy Duty"



Via Circonvallazione, 10
13018 Valduggia (VC), Italy
Tel: +39 0163 47891
Fax: +39 0163 47895
www.vironline.com



Single sphere flanged rubber flexible joint
Steel flanges according EN1092-1, PN16
Polyamide wired reinforced body
Tolerance on length: $\pm 1\%$ (ISO 1307 Standard)
TR CU 010 compliant

PN16 (max 16bar up to 70°C, max 10bar above)
Free of CE marking (cat. according to Art. 4.3 Dir. 2014/68/EU)
Bursting pressure of 50bar

Working conditions

- Suitable for: water, -35°C to +90°C
below 0°C only for water with added antifreeze fluids
- Not suitable for: gases group 1 & 2, liquids group 1 (Dir. 2014/68/EU)

EAC



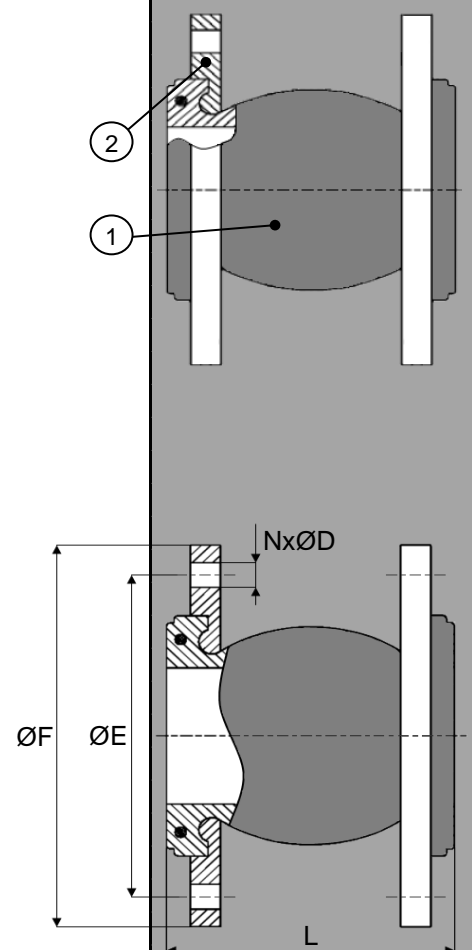
PARTLIST

N.	Part	Material	Norma
1	Body	EPDM + polyamide	-
2	Flange	Zinc pl. steel	S235JR

DIMENSIONS

DN	L [mm]	ØF [mm]	ØE [mm]	NxØD [mm]	Allowable mov. ¹ [mm]	Defl. angle [°]	Weight [kg]
050	130	165	125	4x18	30 / 20 / 20	35°	4,6
065	130	185	145	4x18	30 / 20 / 20	30°	5,3
080	130	200	160	8x18	30 / 20 / 20	30°	7,0
100	130	220	180	8x18	30 / 20 / 20	25°	7,6
125	130	250	210	8x18	30 / 20 / 20	25°	9,9
150	130	285	240	8x22	30 / 20 / 20	15°	12,4
200	130	340	295	12x22	30 / 20 / 20	15°	17,7

¹Compression / extension / lateral extension



220302