

EXTENSIONS



Via Circonvallazione, 10
13018 Valduggia (VC), Italy
Tel: +39 0163 47891
Fax: +39 0163 47895
www.vironline.com



Aluminium extension with brass rod.

PARTLIST

N.	Part	Material	Norm
1	Body	Aluminium	
2	Rod	Brass CW617N	UNI EN 12164

Fig. 340-343-348-342-340 Solar-340J

DN	Dimensions	H	Wgt cad (g)	Pcs. box	Wgt box (kg)
008-010	1/4" - 3/8"	41	40	250	7,5
015-020	1/2" - 3/4"	43	59	250	14,8
025-032	1" - 1 1/4"	54	78	100	7,8
040-050	1 1/2" - 2"	60	124	50	4,5
065-100	2 1/2" - 4"	65,5	288	25	7,1

Fig. 330-333

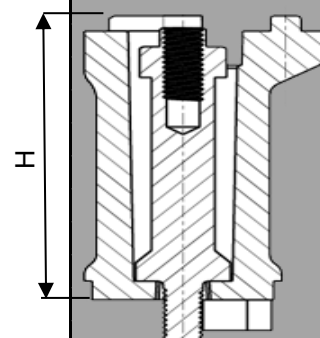
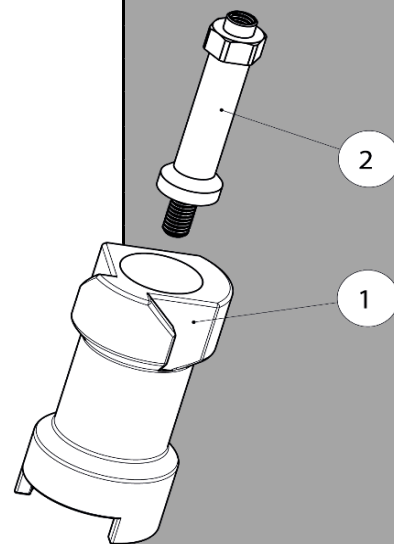
DN	Dimensions	H	Wgt cad (g)	Pcs. box	Wgt box (kg)
015-020	1/2" - 3/4"	43	51	400	20,0
025-032	1" - 1 1/4"	55	84	200	16,6
040-050	1 1/2" - 2"	58	118	100	11,7

Fig. 33FF-33MF

DN	Dimensions	H	Wgt cad (g)	Pcs. box	Wgt box (kg)
015-020	1/2" - 3/4"	43,5	59	250	14,8
025-032	1" - 1 1/4"	54,5	78	250	7,8
040-050	1 1/2" - 2"	56,5	90	100	4,5

Fig. 380

DN	Dimensions	H	Wgt cad (g)	Pcs. box	Wgt box (kg)
008-010	1/4" - 3/8"	41	40	250	7,5
015-020	1/2" - 3/4"	43	59	250	14,8
025-032	1" - 1 1/4"	54	78	100	7,8
040-050	1 1/2" - 2"	60	124	50	4,5



230724

Steel extensions with steel stem.

PARTLIST

N.	Part	Material	Norm
1	Body	P235 TR1	
2	Bush	Polyamide	
3	Steam	Alluminio	A105
4	Screw	-	
5	Flange	Carbon steel	
6	Nut	-	
7	Washer	Galvanized steel	

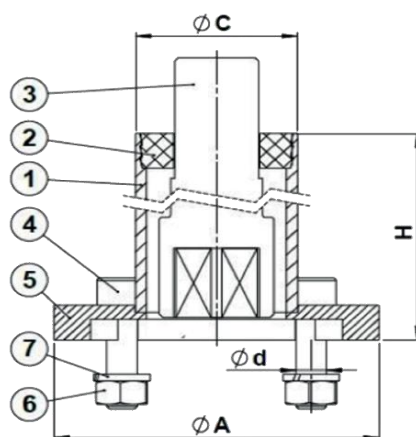
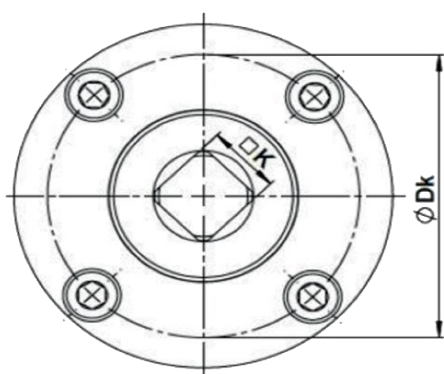
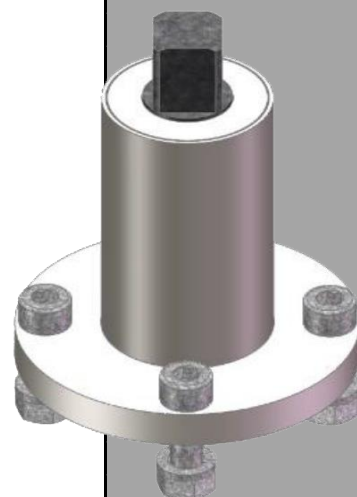


Fig. 390-390G

DN	Dimensions	H	ØA	Ø Dk	Wgt cad (g)	Pcs. box	Wgt box (kg)
040-050	1½" - 2"	90,5	65	50	560	1	0,5
065-100	2½" - 4"	83	85	70	840	1	0,6
125-150	5" - 6"	81	95x95*	102	165	1	0,6

*Square plate



Via Circonvallazione, 10
13018 Valduggia (VC), Italy
Tel: +39 0163 47891
Fax: +39 0163 47895
www.vironline.com