

# Cutter-AQ

Electric Actuator



Via Circonvallazione, 10  
13018 Valduggia (VC), Italy  
Tel: +39 0163 47891  
Fax: +39 0163 47895  
www.vironline.com



Electric actuator with ISO 5211 connection  
Torque range between 15Nm and 4300Nm  
Manual override  
Travel 90°, travel time between 13 and 152 seconds  
Electric connections 2 x ISO M20  
Enclosure protection IP68  
CE compliant

Available in the following versions:

- Multivolt 85-260VAC and 24VDC
  - 220/230 VAC, 400VAC, 24VDC
- Suitable for 50Hz or 60Hz power supply

3 points control  
2 adjustable limit switches (250VAC-5A or 48VDC-2,5A)  
Torque limiter (for AQ25 and above)  
Working temperature: -20° to +60°C



## TECHNICAL DATA

Mod. SWITCH ON/OFF

| VIR code      | Model | P. Supply         | Torque | Power | Tra. time |
|---------------|-------|-------------------|--------|-------|-----------|
| KACUTAQ00.800 | AQ1L  | 85-260VAC o 24VDC | 15Nm   | 20W   | 13 sec.   |
| KACUTAQ01.800 | AQ3L  | 85-260VAC o 24VDC | 30Nm   | 20W   | 15 sec.   |
| KACUTAQ02.800 | AQ7L  | 85-260VAC o 24VDC | 70Nm   | 20W   | 15 sec.   |
| KACUTAQ03.800 | AQ10  | 220/230VAC        | 100Nm  | 15W   | 25 sec.   |
| KACUTAQ04.800 | AQ15  | 220/230VAC        | 150Nm  | 30W   | 30 sec.   |
| KACUTAQ05.800 | AQ25  | 220/230VAC        | 250Nm  | 40W   | 30 sec.   |
| KACUTAQ06.800 | AQ30  | 220/230VAC        | 300Nm  | 40W   | 35 sec.   |
| KACUTAQ07.800 | AQ50  | 220/230VAC        | 500Nm  | 60W   | 35 sec.   |
| KACUTAQ11.800 | AQ80  | 220/230VAC        | 840Nm  | 150W  | 18 sec.   |
| KACUTAQ12.800 | AQ200 | 220/230VAC        | 2200Nm | 150W  | 55 sec.   |
| KACUTAQ13.800 | AQ430 | 220/230VAC        | 4300Nm | 150W  | 152 sec.  |
| KACUTAQ14.800 | AQ80  | 400VAC            | 840Nm  | 150W  | 18 sec.   |
| KACUTAQ15.800 | AQ200 | 400VAC            | 2200Nm | 150W  | 55 sec.   |
| KACUTAQ16.800 | AQ430 | 400VAC            | 4300Nm | 150W  | 152 sec.  |
| KACUTAQ08.800 | AQ10  | 24VDC             | 100Nm  | 30W   | 25 sec.   |
| KACUTAQ09.800 | AQ15  | 24VDC             | 150Nm  | 30W   | 30 sec.   |
| KACUTAQ10.800 | AQ25  | 24VDC             | 250Nm  | 50W   | 30 sec.   |
| KACUTAQ17.800 | AQ30  | 24VDC             | 300Nm  | 40W   | 30 sec.   |
| KACUTAQ18.800 | AQ50  | 24VDC             | 500Nm  | 60W   | 35 sec.   |
| KACUTAQ19.800 | AQ80  | 24VDC             | 800Nm  | 150W  | 55 sec.   |

Mod. KACUTAQ00/Q01/Q20/Q21.800 with included spacer CADCUTF7V.143

Mod. KACUTAQ02/Q22 with included spacer CADCUTF70.143



Mod.  
AQ1L  
AQ3L  
AQ7L



Mod.  
AQ10  
AQ15  
AQ25  
AQ30  
AQ50

Mod. LOGIC / Positioner

|               |        |                   |        |      |          |
|---------------|--------|-------------------|--------|------|----------|
| KACUTAQ20.800 | AQ1M   | 85-260VAC o 24VDC | 15Nm   | 20W  | 13 sec.  |
| KACUTAQ21.800 | AQ3M   | 85-260VAC o 24VDC | 30Nm   | 20W  | 15 sec.  |
| KACUTAQ22.800 | AQ7M   | 85-260VAC o 24VDC | 70Nm   | 20W  | 15 sec.  |
| KACUTAQ23.800 | AQ10M  | 220/230VAC        | 100Nm  | 15W  | 25 sec.  |
| KACUTAQ24.800 | AQ15M  | 220/230VAC        | 150Nm  | 30W  | 30 sec.  |
| KACUTAQ25.800 | AQ25M  | 220/230VAC        | 250Nm  | 40W  | 30 sec.  |
| KACUTAQ26.800 | AQ30M  | 220/230VAC        | 300Nm  | 40W  | 35 sec.  |
| KACUTAQ27.800 | AQ50M  | 220/230VAC        | 500Nm  | 60W  | 35 sec.  |
| KACUTAQ28.800 | AQ10M  | 24VDC             | 100Nm  | 15W  | 25 sec.  |
| KACUTAQ29.800 | AQ15M  | 24VDC             | 150Nm  | 30W  | 30 sec.  |
| KACUTAQ30.800 | AQ25M  | 24VDC             | 250Nm  | 40W  | 30 sec.  |
| KACUTAQ31.800 | AQ80M  | 220/230VAC        | 800Nm  | 150W | 55 sec.  |
| KACUTAQ32.800 | AQ200M | 220/230VAC        | 2200Nm | 150W | 55 sec.  |
| KACUTAQ33.800 | AQ430M | 220/230VAC        | 4300Nm | 150W | 152 sec. |



LOGIC  
Mod.  
AQ10  
AQ15  
AQ25  
AQ30

## PRODUCT COMPATIBILITY

| VIR code | Fig. | 4020-4025-4029-402W<br>4320-4325-4329-432W |
|----------|------|--|
|----------|------|--|

|      |
|------|
| 4520 |
| 4560 |

|               |                     |
|---------------|---------------------|
| KACUTAQ00.800 | DN32-DN40-DN50-DN65 |
| KACUTAQ01.800 | DN80                |
| KACUTAQ02.800 | DN100-DN125         |
| KACUTAQ20.800 | DN32-DN40-DN50-DN65 |
| KACUTAQ21.800 | DN80                |
| KACUTAQ22.800 | DN100-DN125         |

|           |                    |
|-----------|--------------------|
| -         | 85-260VAC<br>14VDC |
| DN50      |                    |
| DN65-DN80 |                    |
| -         |                    |
| DN50      |                    |
| DN65-DN80 |                    |

|               |                   |
|---------------|-------------------|
| KACUTAQ03.800 | DN150             |
| KACUTAQ04.800 | -                 |
| KACUTAQ05.800 | DN200             |
| KACUTAQ06.800 | DN250             |
| KACUTAQ07.800 | DN300             |
| KACUTAQ11.800 | DN350             |
| KACUTAQ12.800 | DN400-DN450-DN500 |
| KACUTAQ13.800 | DN600             |
| KACUTAQ23.800 | DN150             |
| KACUTAQ24.800 | -                 |
| KACUTAQ25.800 | DN200             |
| KACUTAQ26.800 | DN250             |
| KACUTAQ27.800 | DN250-DN300       |
| KACUTAQ28.800 | DN150             |
| KACUTAQ29.800 | -                 |
| KACUTAQ30.800 | DN200             |
| KACUTAQ31.800 | DN350             |
| KACUTAQ32.800 | DN400-DN450-DN500 |
| KACUTAQ33.800 | DN600             |

|       |        |
|-------|--------|
| DN100 | 230VAC |
| DN125 |        |
| DN150 |        |
| -     |        |
| DN200 |        |
| DN250 |        |
| DN300 |        |
| -     |        |
| DN100 |        |
| DN125 |        |
| DN150 |        |
| -     |        |
| DN200 |        |
| DN100 |        |
| DN125 |        |
| DN150 |        |
| -     |        |
| -     |        |

|               |                   |
|---------------|-------------------|
| KACUTAQ14.800 | DN350             |
| KACUTAQ15.800 | DN400-DN450-DN500 |
| KACUTAQ16.800 | DN600             |

|       |        |
|-------|--------|
| DN250 | 400VAC |
| DN300 |        |
| -     |        |

|               |       |
|---------------|-------|
| KACUTAQ08.800 | DN150 |
| KACUTAQ09.800 | -     |
| KACUTAQ10.800 | DN200 |
| KACUTAQ17.800 | DN250 |
| KACUTAQ18.800 | -     |
| KACUTAQ19.800 | DN350 |

|       |       |
|-------|-------|
| DN100 | 24VDC |
| DN125 |       |
| DN150 |       |
| -     |       |
| -     |       |
| DN250 |       |

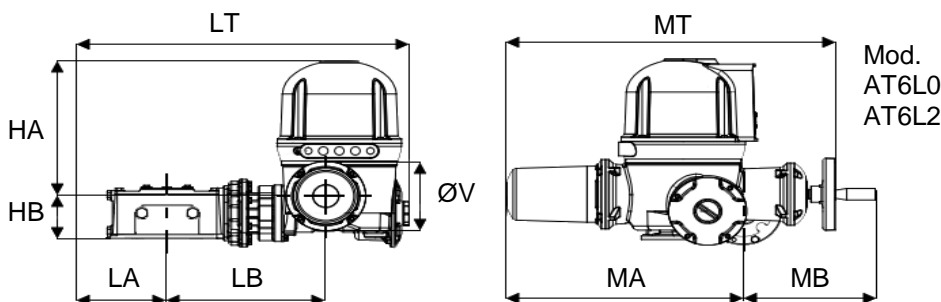
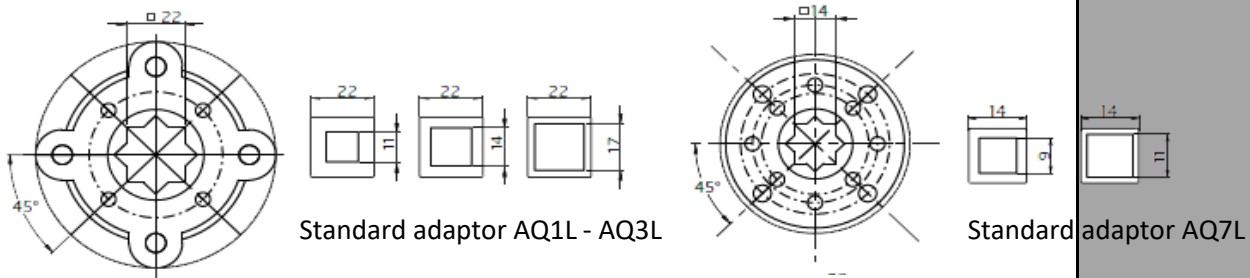
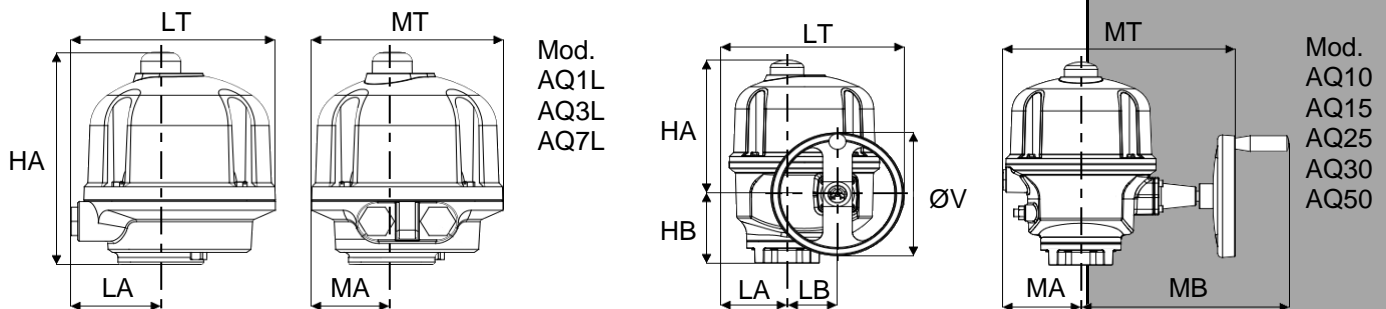
Mod. AQ30+adapter KA0022X17.2024

# DIMENSIONS

| Model | Flange                          | Connection [mm]    | Weight [kg] |
|-------|---------------------------------|--------------------|-------------|
| AQ1L  | F03, F04, F05, F07 <sup>1</sup> | □9, □11, ⌀14       | 2,5         |
| AQ3L  | F03, F04, F05, F07 <sup>1</sup> | □9, □11, ⌀14       | 2,5         |
| AQ7L  | F05, F07                        | □11, □14, □17, ⌀22 | 3,5         |
| AQ10  | F05, F07                        | □14                | 10          |
| AQ15  | F05, F07                        | □14                | 10          |
| AQ25  | F07, F10                        | □17                | 13          |
| AQ30  | F07, F10                        | □17                | 15          |
| AQ50  | F07, F10                        | □22                | 15          |
| AQ80  | F10, F12                        | □24                | 18          |
| AQ200 | F16                             | □27                | 48          |
| AQ430 | F16                             | □36                | 58          |

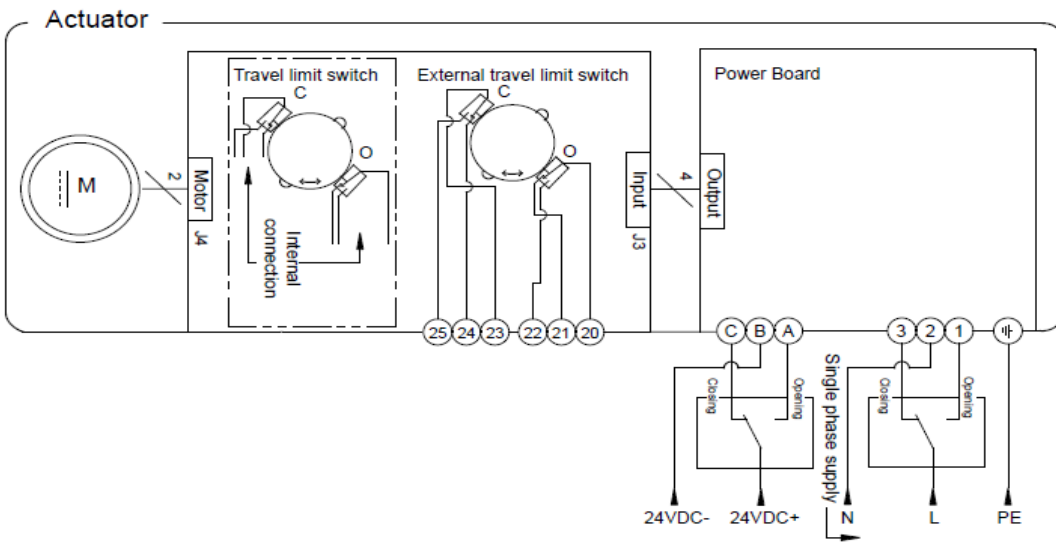
<sup>1</sup>Included adapters

| Model | LA [mm] | LB [mm] | LT [mm] | MA [mm] | MB [mm] | MT [mm] | HA [mm] | HB [mm] | ØV [mm] |
|-------|---------|---------|---------|---------|---------|---------|---------|---------|---------|
| AQ1L  | 67      | -       | 150     | 60      | -       | 145     | 175     | -       | -       |
| AQ3L  | 67      | -       | 150     | 60      | -       | 145     | 175     | -       | -       |
| AQ7L  | 67      | -       | 150     | 60      | -       | 145     | 195     | -       | -       |
| AQ10  | 74      | 60      | 184     | 96      | 184     | 230     | 290     | 82      | 100     |
| AQ15  | 74      | 60      | 184     | 96      | 184     | 230     | 290     | 82      | 100     |
| AQ25  | 86      | 74      | 225     | 117     | 248     | 315     | 320     | 102     | 100     |
| AQ30  | 86      | 74      | 260     | 117     | 310     | 350     | 320     | 111     | 160     |
| AQ50  | 86      | 94      | 260     | 117     | 310     | 347     | 320     | 111     | 200     |
| AQ80  | 86      | 75      | 286     | 117     | 310     | 347     | 216     | 149     | 250     |
| AQ200 | 115     | 307     | 582     | 360     | 354     | 634     | 339     | 75      | 160     |
| AQ430 | 127     | 350     | 637     | 256     | 458     | 634     | 339     | 75      | 160     |

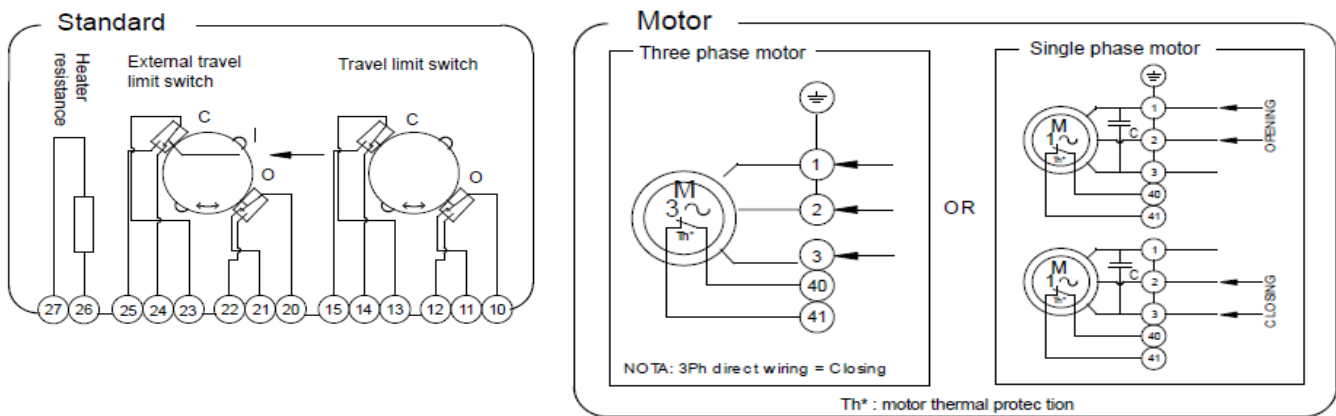


# WIRING DIAGRAMS

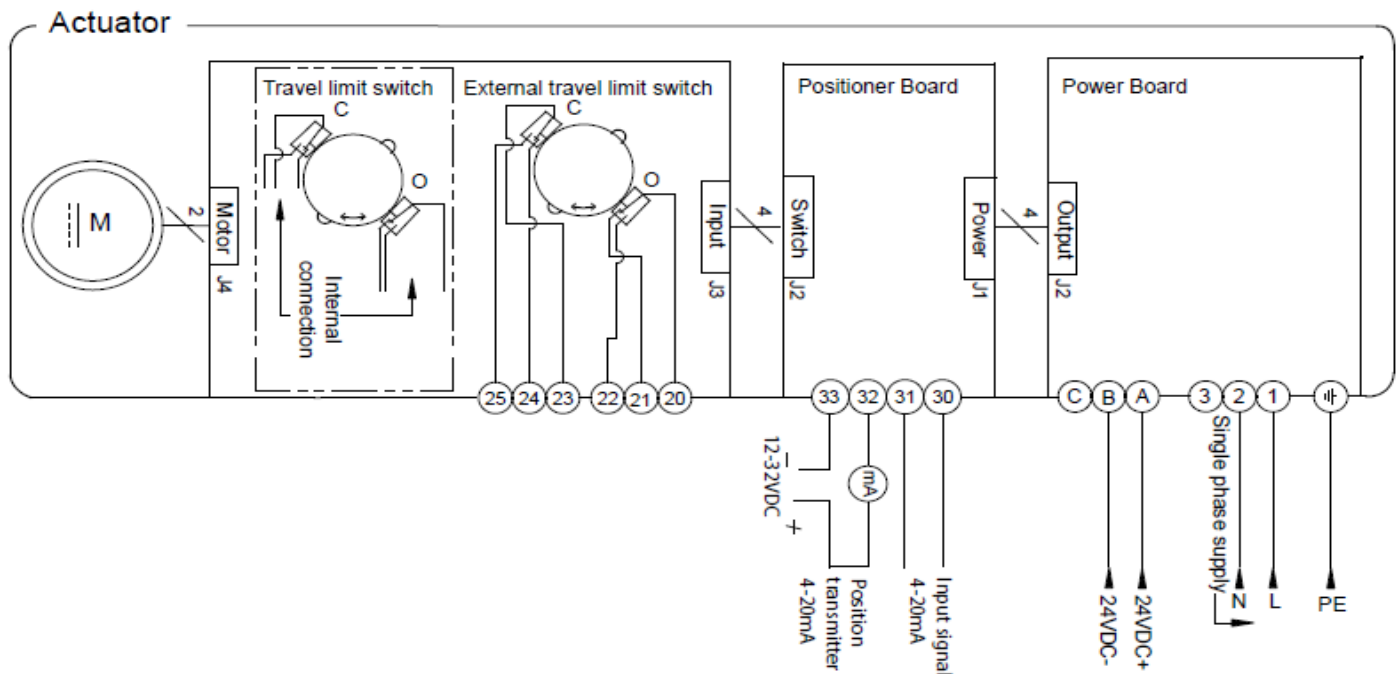
Wiring diagram for Mod. KACUTAQ00.800 - KACUTAQ01.800 - KACUTAQ02.800



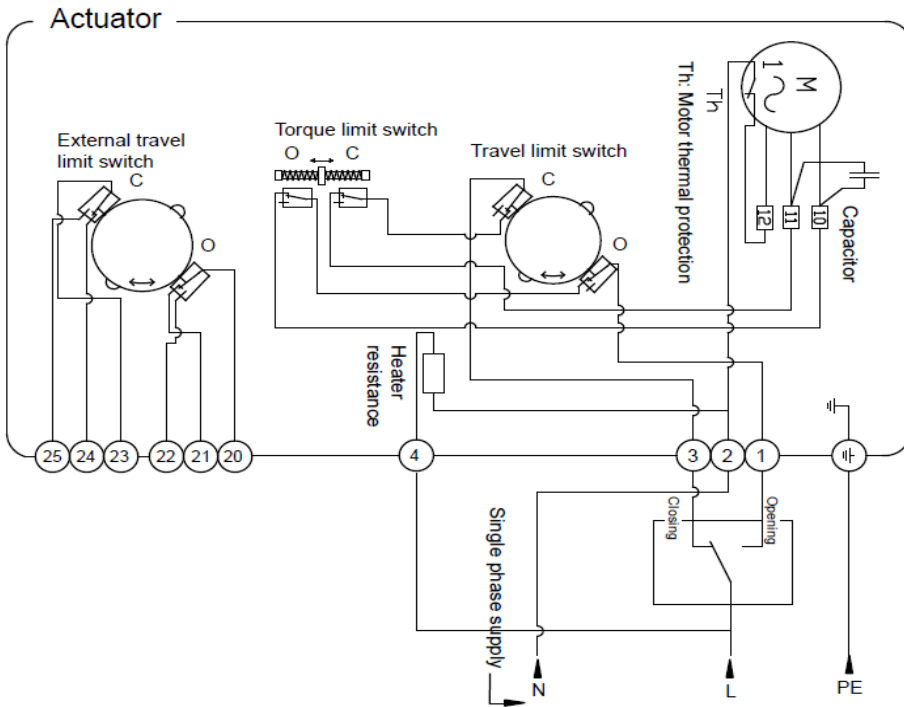
Wiring diagram for Mod. KACUTAQ03.800 - KACUTAQ04.800



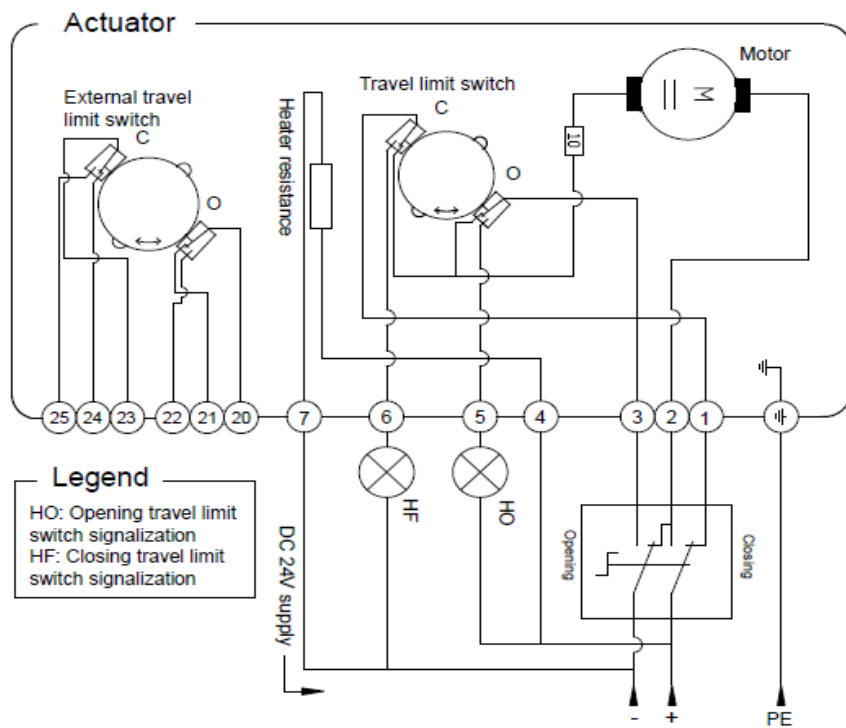
Wiring diagram for Mod. KACUTAQ20.800 - KACUTAQ21.800 - KACUTAQ22.800



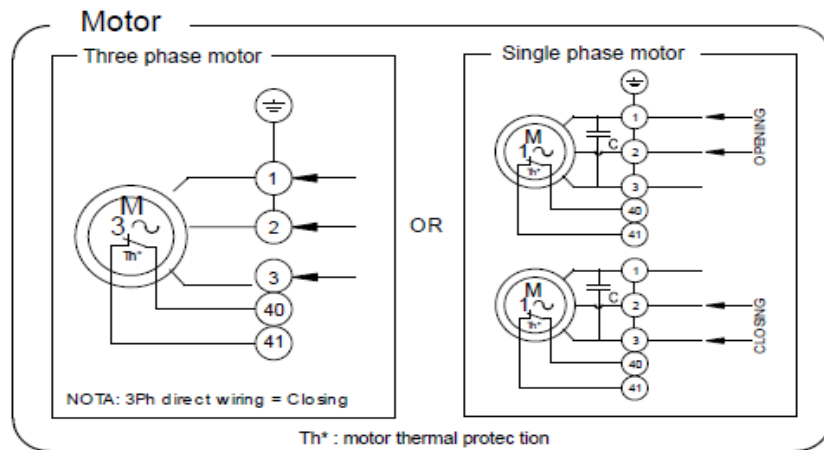
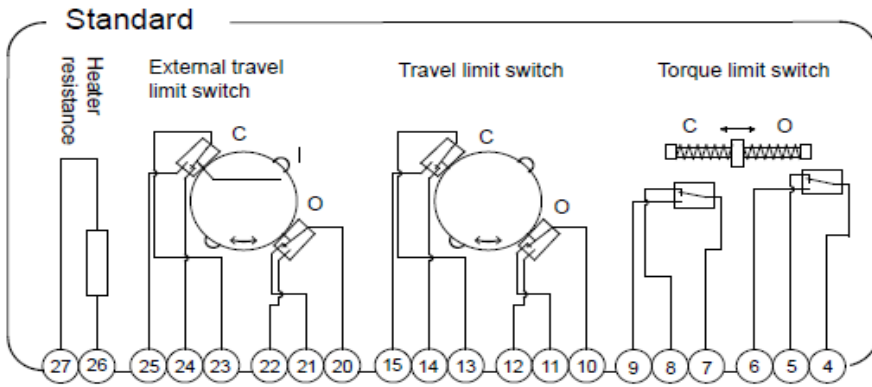
Wiring diagram for Mod. KACUTAQ05.800 - KACUTAQ06.800 - KACUTAQ07.800



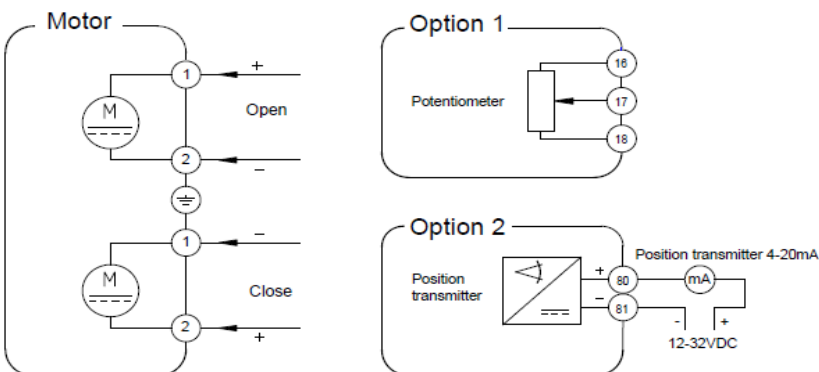
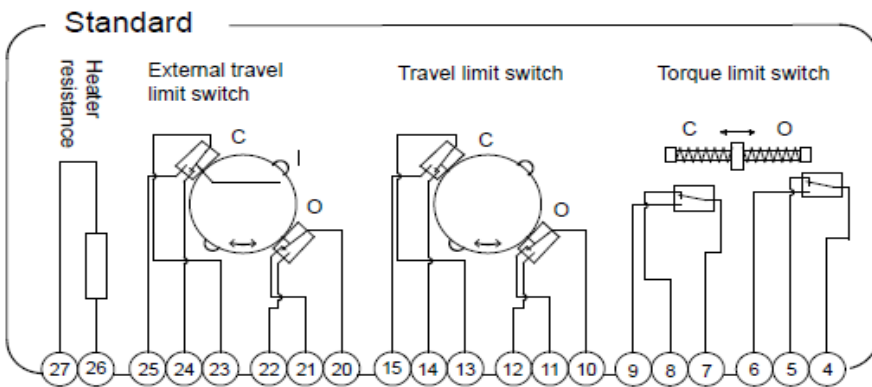
Wiring diagram for Mod. KACUTAQ08.800 - KACUTAQ09.800 - KACUTAQ10.800



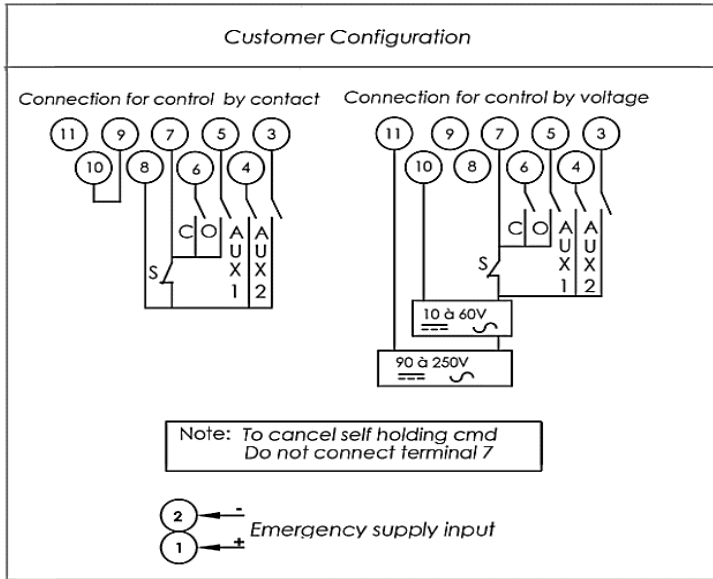
Wiring diagram for Mod. KACUTAQ11.800 - KACUTAQ12.800 - KACUTAQ13.800 - KACUTAQ14.800  
KACUTAQ15.800 - KACUTAQ16.800



Wiring diagram for Mod. KACUTAQ17.800 - KACUTAQ18.800 - KACUTAQ19.800

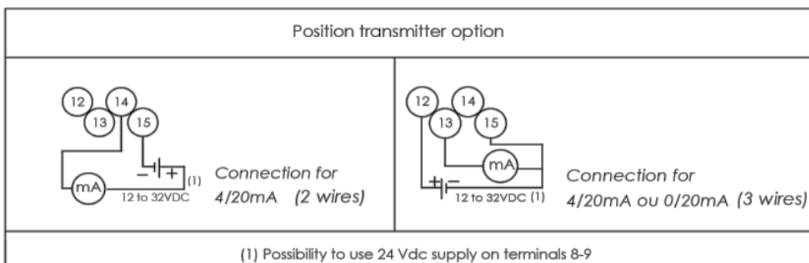
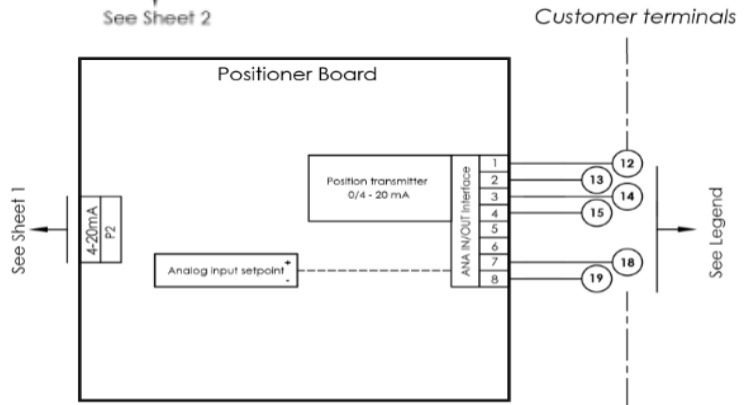
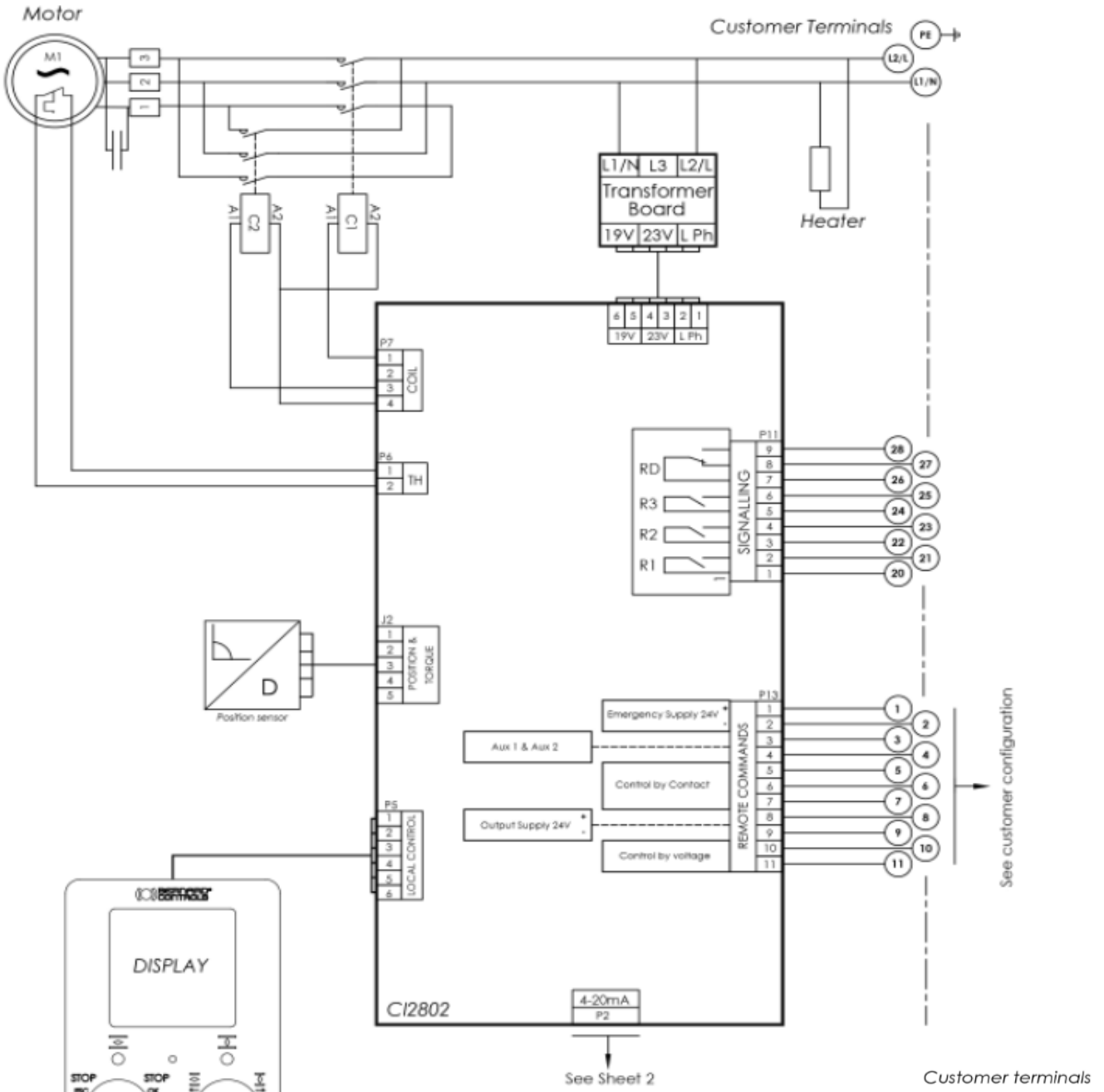


Common wiring legend only for Mod. KACUTAQ23.800 - KACUTAQ24.800 - KACUTAQ25.800 -  
 KACUTAQ26.800 - KACUTAQ27.800 - KACUTAQ28.800 -  
 KACUTAQ29.800 - KACUTAQ30.800



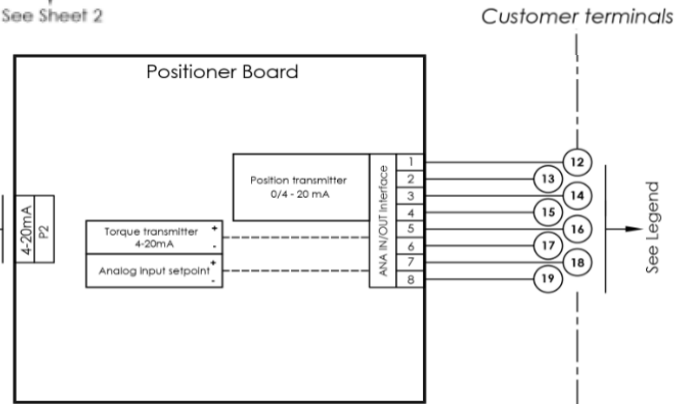
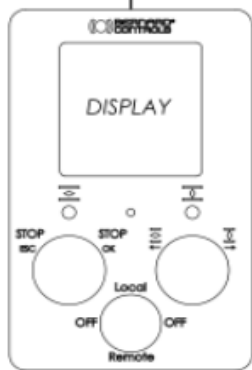
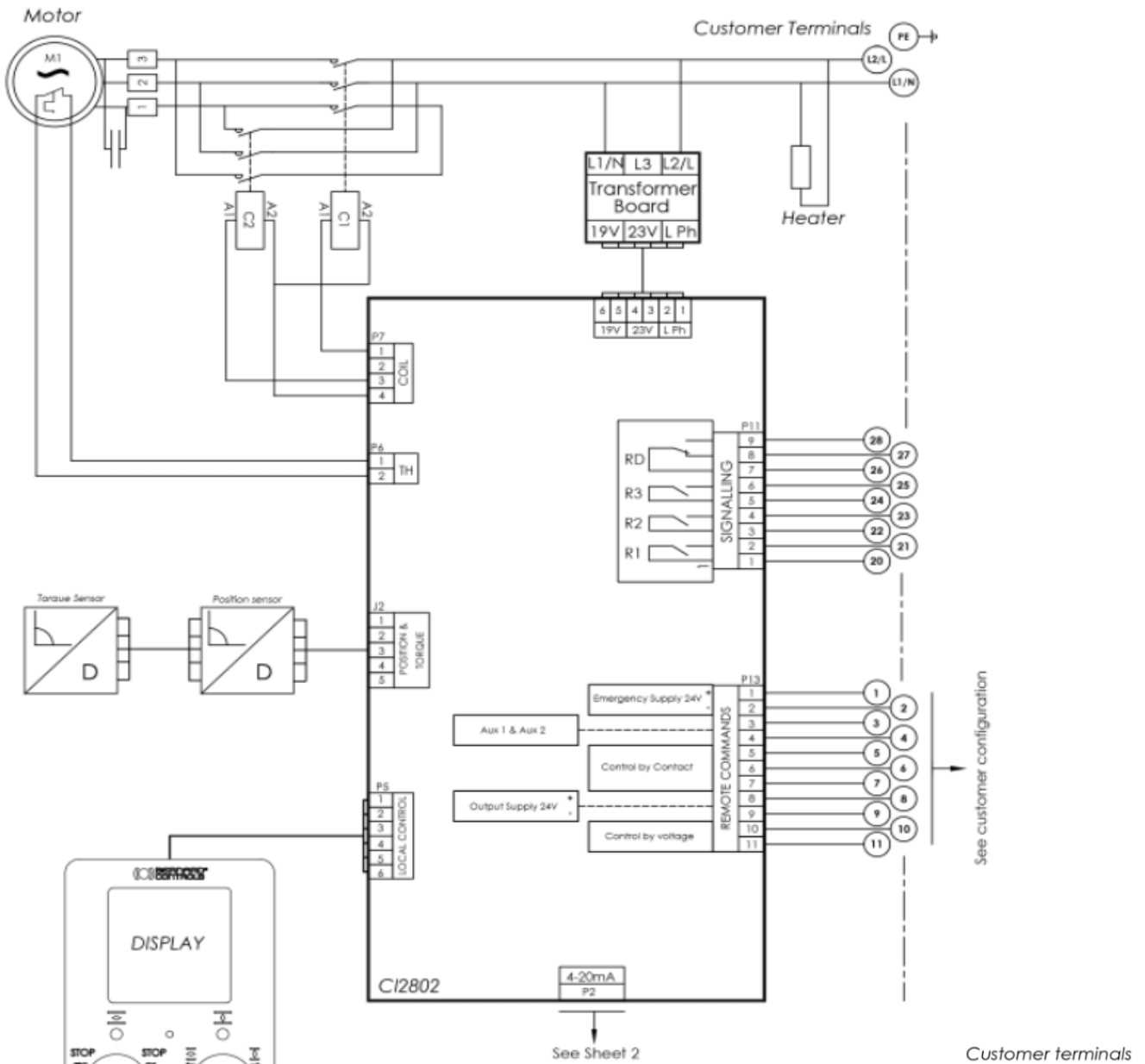
|      |  |
|------|--|
| Aux1 | Configurable command                                 |
| Aux2 | Configurable command                                 |
| C    | Closing command                                      |
| O    | Opening command                                      |
| S    | Stop   |
| TH   | Thermal protection                                   |
| R1   | Valve open   |
| R2   | Valve closed   |
| R3   | Configurable relay                                   |
| RD   | Fault relay terminal 26-28 closed actuator available |

Wiring diagram for Mod. KACUTAQ23.800 - KACUTAQ24.800





Wiring diagram for Mod. KACUTAQ25.800 - KACUTAQ26.800 - KACUTAQ27.800  
KACUTAQ31.800 - KACUTAQ32.800



| Torque transmitter option                             | Position transmitter option / Option recopie de position      |   |
|---|---|---|
| <p>12 to 32VDC (1)</p>                                | <p>12 to 32VDC (1)</p> <p>Connection for 4/20mA (2 wires)</p> | <p>12 to 32VDC (1)</p> <p>Connection for 4/20mA ou 0/20mA (3 wires)</p> |
| (1) Possibility to use 24 Vdc supply on terminals 8-9 |   |   |

Wiring diagram for Mod. KACUTAQ28.800 - KACUTAQ29.800 - KACUTAQ30.800

