

# Cutter-AQ

Electric Actuator



Via Circonvallazione, 10  
13018 Valduggia (VC), Italy  
Tel: +39 0163 47891  
Fax: +39 0163 47895  
www.vironline.com



Electric actuator with ISO 5211 connection  
Torque range between 15Nm and 4300Nm  
Manual override  
Travel 90°, travel time between 13 and 152 seconds  
Electric connections 2 x ISO M20  
Enclosure protection IP68  
CE compliant

Available in the following versions:

- Multivolt 85-260VAC and 24VDC
  - 220/230 VAC, 400VAC, 24VDC
- Suitable for 50Hz or 60Hz power supply

3 points control  
2 adjustable limit switches (250VAC-5A or 48VDC-2,5A)  
Torque limiter (for AQ25 and above)  
Working temperature: -20° to +60°C



CE

## TECHNICAL DATA

Mod. SWITCH ON/OFF

VIR code	Model	P. Supply	Torque	Power	Tra. time
KACUTAQ00.800	AQ1L	85-260VAC o 24VDC	15Nm	20W	13 sec.
KACUTAQ01.800	AQ3L	85-260VAC o 24VDC	30Nm	20W	15 sec.
KACUTAQ02.800	AQ7L	85-260VAC o 24VDC	70Nm	20W	15 sec.
KACUTAQ03.800	AQ10	220/230VAC	100Nm	15W	25 sec.
KACUTAQ04.800	AQ15	220/230VAC	150Nm	30W	30 sec.
KACUTAQ05.800	AQ25	220/230VAC	250Nm	40W	30 sec.
KACUTAQ06.800	AQ30	220/230VAC	300Nm	40W	35 sec.
KACUTAQ07.800	AQ50	220/230VAC	500Nm	60W	35 sec.
KACUTAQ11.800	AQ80	220/230VAC	840Nm	150W	18 sec.
KACUTAQ12.800	AQ200	220/230VAC	2200Nm	150W	55 sec.
KACUTAQ13.800	AQ430	220/230VAC	4300Nm	150W	152 sec.
KACUTAQ14.800	AQ80	400VAC	840Nm	150W	18 sec.
KACUTAQ15.800	AQ200	400VAC	2200Nm	150W	55 sec.
KACUTAQ16.800	AQ430	400VAC	4300Nm	150W	152 sec.
KACUTAQ08.800	AQ10	24VDC	100Nm	30W	25 sec.
KACUTAQ09.800	AQ15	24VDC	150Nm	30W	30 sec.
KACUTAQ10.800	AQ25	24VDC	250Nm	50W	30 sec.
KACUTAQ17.800	AQ30	24VDC	300Nm	40W	30 sec.
KACUTAQ18.800	AQ50	24VDC	500Nm	60W	35 sec.
KACUTAQ19.800	AQ80	24VDC	800Nm	150W	55 sec.

Mod. KACUTAQ00.800 and KACUTAQ01.800 with included spacer CADCUTF7V.143

Mod. KACUTAQ02.800 and KACUTAQ03.800 with included spacer CADCUTF70.143



Mod.  
AQ1L  
AQ3L  
AQ7L



Mod.  
AQ10  
AQ15  
AQ25  
AQ30  
AQ50

Mod. LOGIC / Positioner

KACUTAQ20.800	AQ1M	85-260VAC o 24VDC	15Nm	20W	13 sec.
KACUTAQ21.800	AQ3M	85-260VAC o 24VDC	30Nm	20W	15 sec.
KACUTAQ22.800	AQ7M	85-260VAC o 24VDC	70Nm	20W	15 sec.
KACUTAQ23.800	AQ10M	220/230VAC	100Nm	15W	25 sec.
KACUTAQ24.800	AQ15M	220/230VAC	150Nm	30W	30 sec.
KACUTAQ25.800	AQ25M	220/230VAC	250Nm	40W	30 sec.
KACUTAQ26.800	AQ30M	220/230VAC	300Nm	40W	35 sec.
KACUTAQ27.800	AQ50M	220/230VAC	500Nm	60W	35 sec.
KACUTAQ28.800	AQ10M	24VDC	100Nm	15W	25 sec.
KACUTAQ29.800	AQ15M	24VDC	150Nm	30W	30 sec.
KACUTAQ30.800	AQ25M	24VDC	250Nm	40W	30 sec.
KACUTAQ31.800	AQ80M	220/230VAC	800Nm	150W	55 sec.
KACUTAQ32.800	AQ200M	220/230VAC	2200Nm	150W	55 sec.
KACUTAQ33.800	AQ430M	220/230VAC	4300Nm	150W	152 sec.



LOGIC  
Mod.  
AQ10  
AQ15  
AQ25  
AQ30

## PRODUCT COMPATIBILITY

<b>VIR code</b>	<b>Fig.</b>	<b>4020-4025-4029-402W</b> <b>4320-4325-4329-432W</b>
-----------------	-------------	--

<b>4520</b>
<b>4560</b>

KACUTAQ00.800	DN32-DN40-DN50-DN65
KACUTAQ01.800	DN80
KACUTAQ02.800	DN100-DN125
KACUTAQ20.800	DN32-DN40-DN50-DN65
KACUTAQ21.800	DN80
KACUTAQ22.800	DN100-DN125

-	<b>85-260VAC</b> <b>14VDC</b>
DN50	
DN65-DN80	
-	
DN50	
DN65-DN80	

KACUTAQ03.800	DN150
KACUTAQ04.800	-
KACUTAQ05.800	DN200
KACUTAQ06.800	DN250
KACUTAQ07.800	DN300
KACUTAQ11.800	DN350
KACUTAQ12.800	DN400-DN450-DN500
KACUTAQ13.800	DN600
KACUTAQ23.800	DN150
KACUTAQ24.800	-
KACUTAQ25.800	DN200
KACUTAQ26.800	DN250
KACUTAQ27.800	DN250-DN300
KACUTAQ28.800	DN150
KACUTAQ29.800	-
KACUTAQ30.800	DN200
KACUTAQ31.800	DN350
KACUTAQ32.800	DN400-DN450-DN500
KACUTAQ33.800	DN600

DN100	<b>230VAC</b>
DN125	
DN150	
-	
DN200	
DN250	
DN300	
-	
DN100	
DN125	
DN150	
-	
DN200	
DN100	
DN125	
DN150	
-	
-	

KACUTAQ14.800	DN350
KACUTAQ15.800	DN400-DN450-DN500
KACUTAQ16.800	DN600

DN250	<b>400VAC</b>
DN300	
-	

KACUTAQ08.800	DN150
KACUTAQ09.800	-
KACUTAQ10.800	DN200
KACUTAQ17.800	DN250
KACUTAQ18.800	-
KACUTAQ19.800	DN350

DN100	<b>240VDC</b>
DN125	
DN150	
-	
-	
DN250	

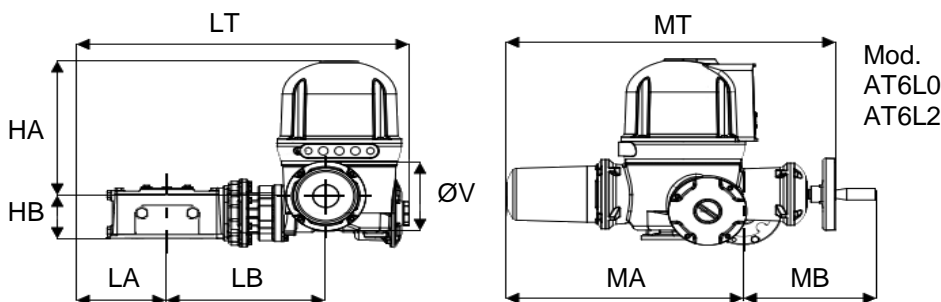
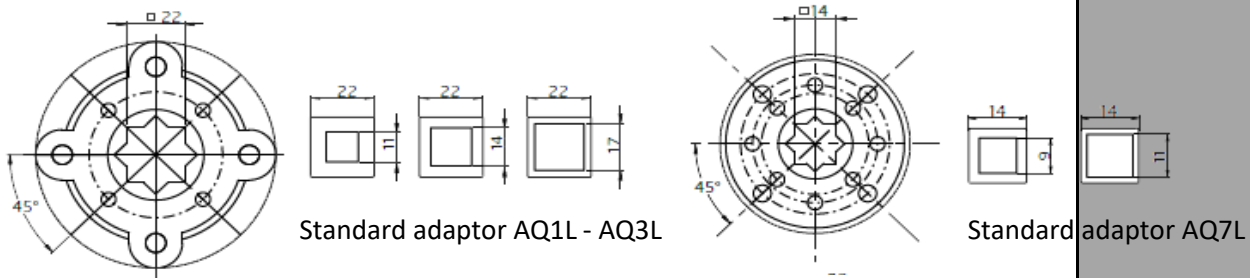
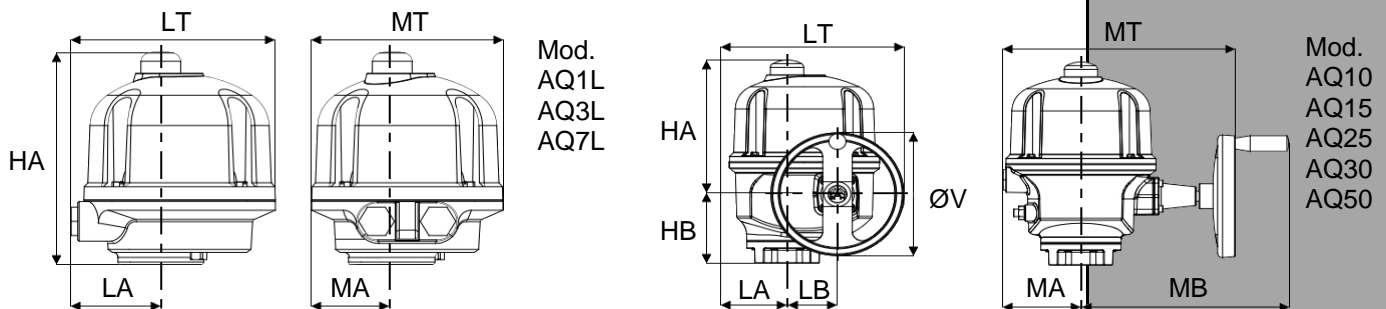
Mod. AQ30+adapter KA0022X17.2024

# DIMENSIONS

Model	Flange	Connection [mm]	Weight [kg]
AQ1L	F03, F04, F05, F07 <sup>1</sup>	□9, □11, ⌀14	2,5
AQ3L	F03, F04, F05, F07 <sup>1</sup>	□9, □11, ⌀14	2,5
AQ7L	F05, F07	□11, □14, □17, ⌀22	3,5
AQ10	F05, F07	□14	10
AQ15	F05, F07	□14	10
AQ25	F07, F10	□17	13
AQ30	F07, F10	□17	15
AQ50	F07, F10	□22	15
AQ80	F10, F12	□24	18
AQ200	F16	□27	48
AQ430	F16	□36	58

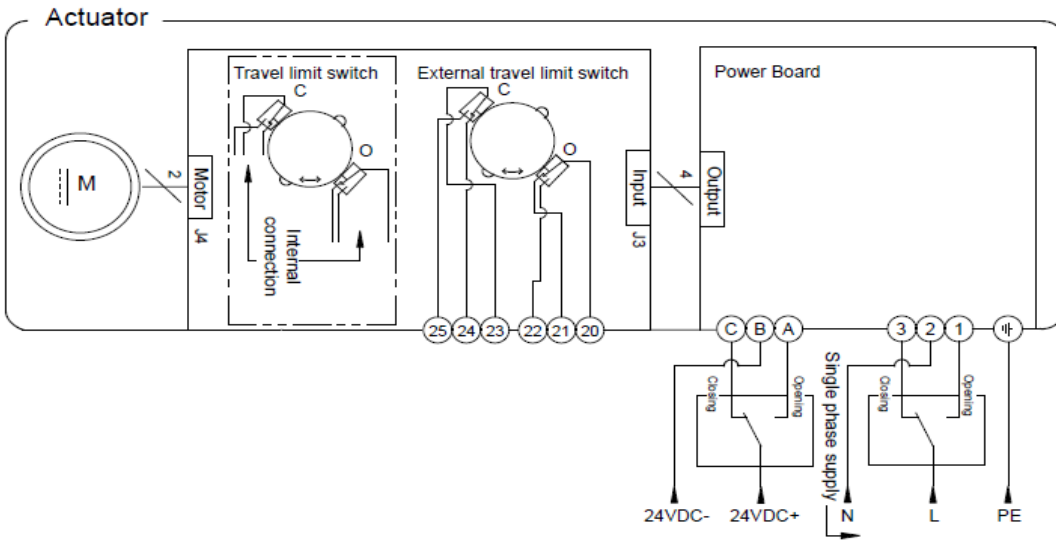
<sup>1</sup>Included adapters

Model	LA [mm]	LB [mm]	LT [mm]	MA [mm]	MB [mm]	MT [mm]	HA [mm]	HB [mm]	ØV [mm]
AQ1L	67	-	150	60	-	145	175	-	-
AQ3L	67	-	150	60	-	145	175	-	-
AQ7L	67	-	150	60	-	145	195	-	-
AQ10	74	60	184	96	184	230	290	82	100
AQ15	74	60	184	96	184	230	290	82	100
AQ25	86	74	225	117	248	315	320	102	100
AQ30	86	74	260	117	310	350	320	111	160
AQ50	86	94	260	117	310	347	320	111	200
AQ80	86	75	286	117	310	347	216	149	250
AQ200	115	307	582	360	354	634	339	75	160
AQ430	127	350	637	256	458	634	339	75	160

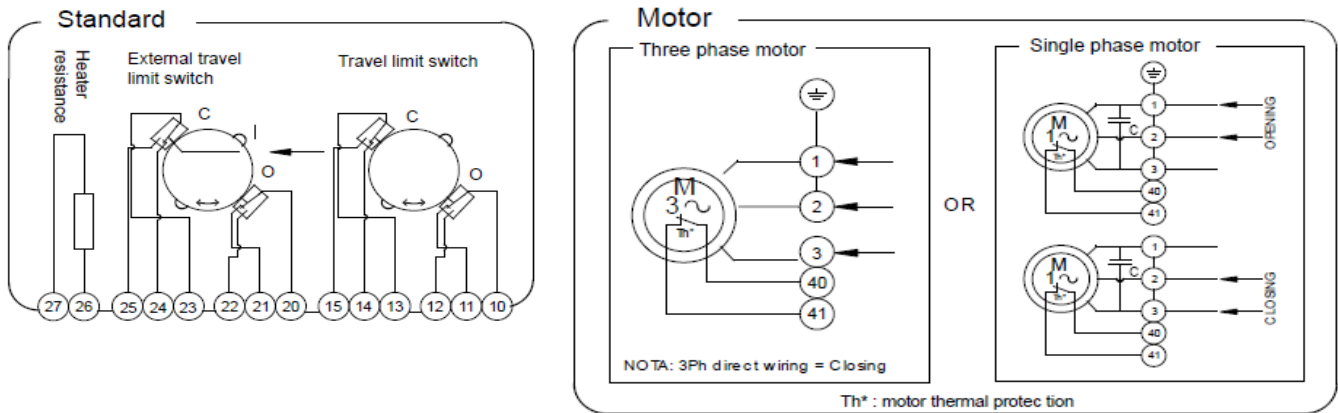


# WIRING DIAGRAMS

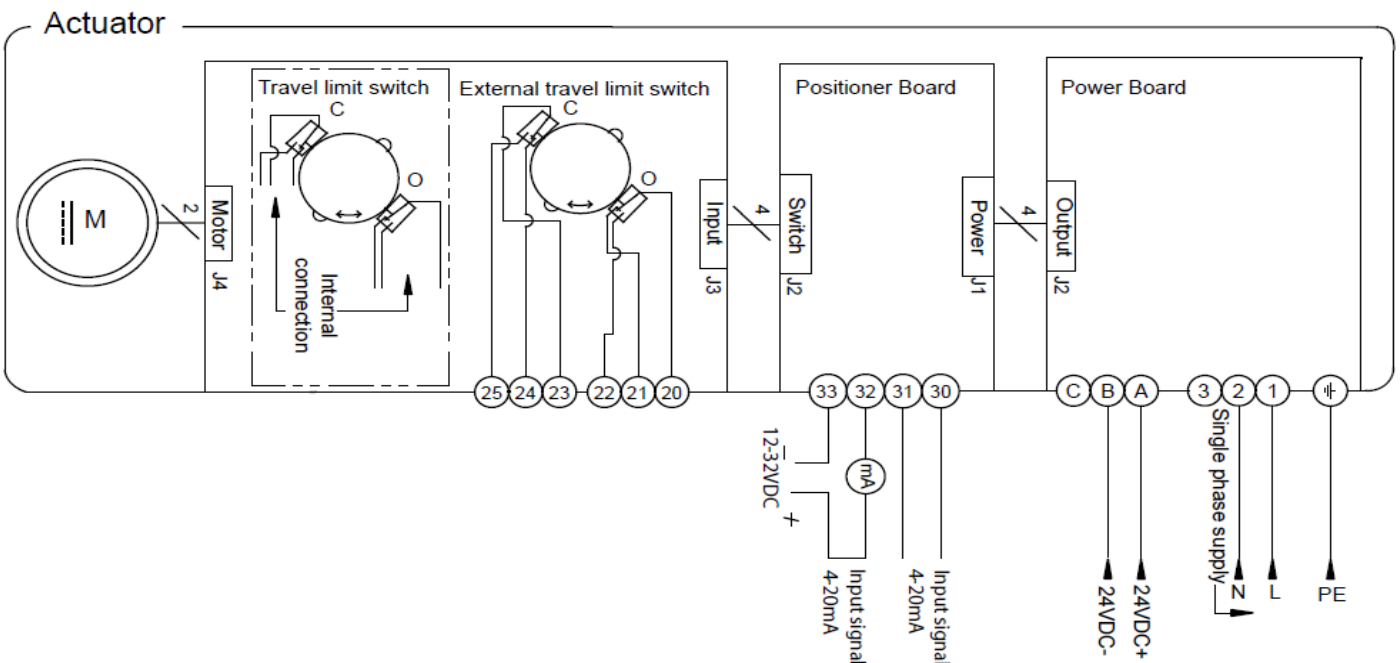
Wiring diagram for Mod. KACUTAQ00.800 - KACUTAQ01.800 - KACUTAQ02.800



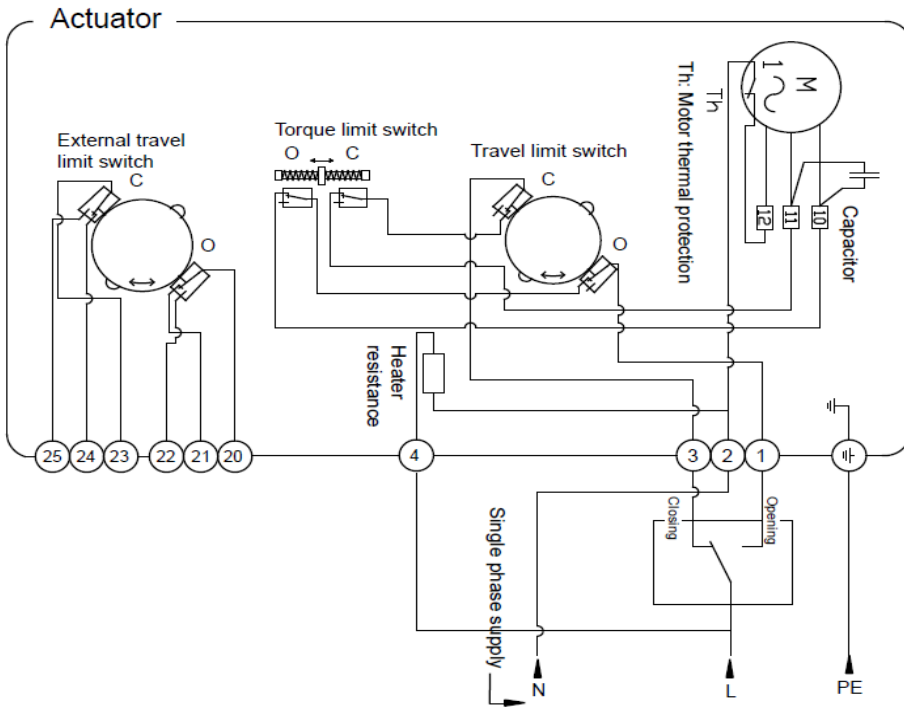
Wiring diagram for Mod. KACUTAQ03.800 - KACUTAQ04.800



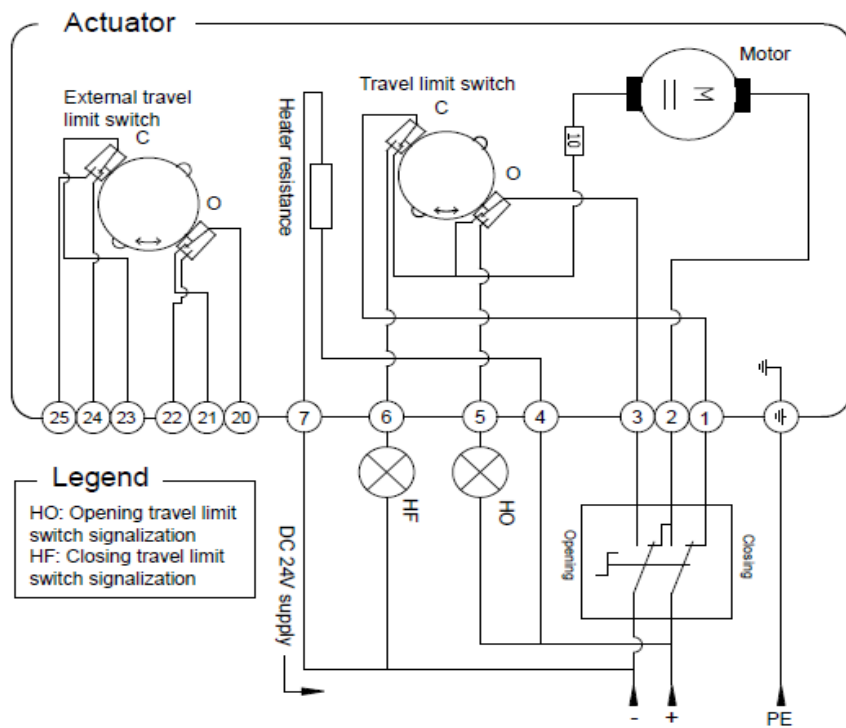
Wiring diagram for Mod. KACUTAQ20.800 - KACUTAQ21.800 - KACUTAQ22.800



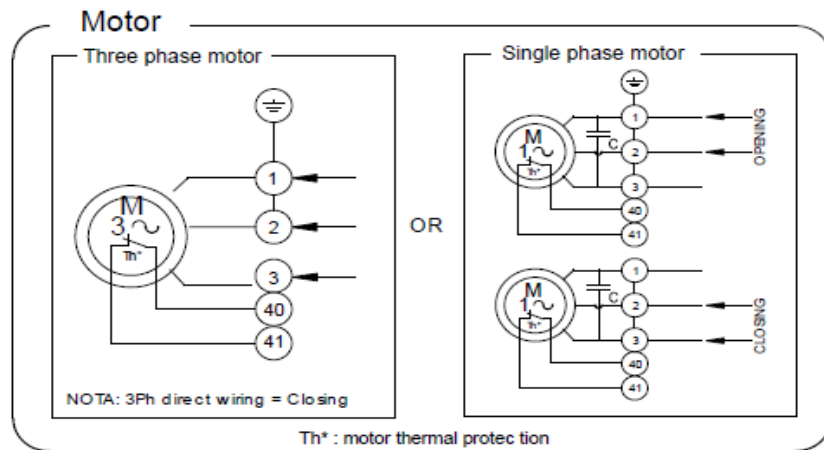
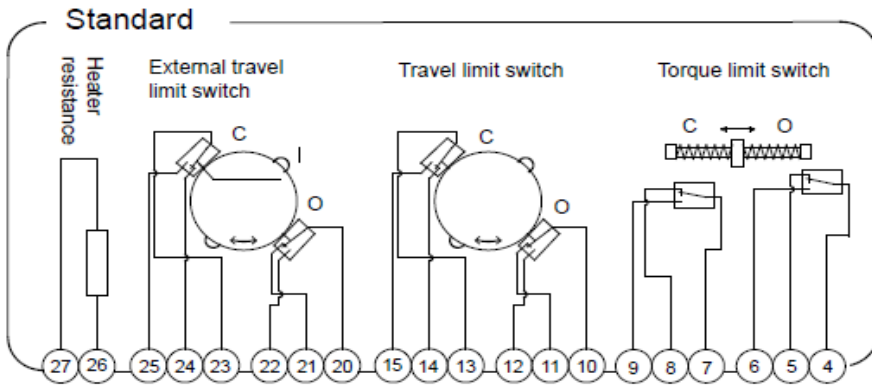
Wiring diagram for Mod. KACUTAQ05.800 - KACUTAQ06.800 - KACUTAQ07.800



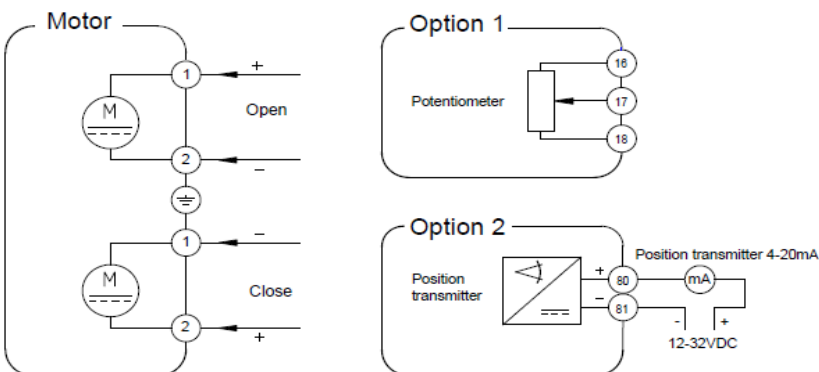
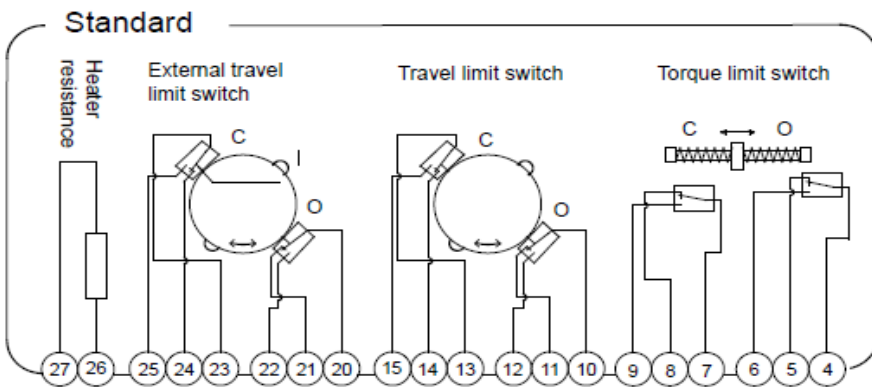
Wiring diagram for Mod. KACUTAQ08.800 - KACUTAQ09.800 - KACUTAQ10.800



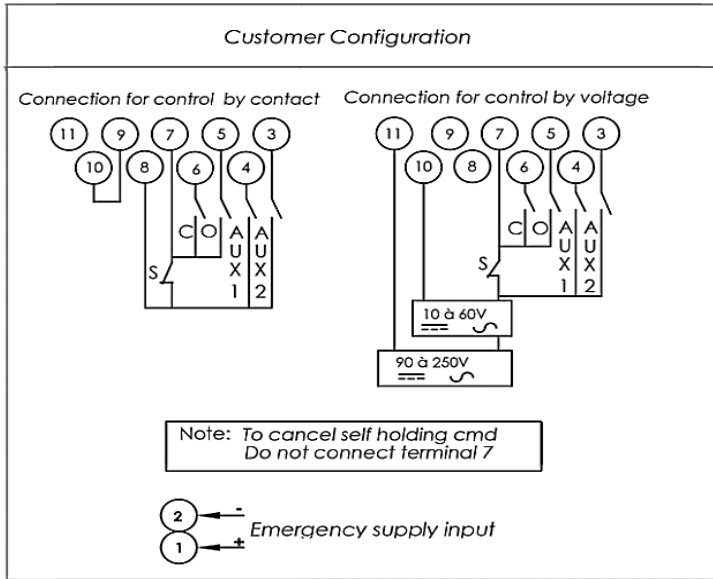
Wiring diagram for Mod. KACUTAQ11.800 - KACUTAQ12.800 - KACUTAQ13.800 - KACUTAQ14.800  
KACUTAQ15.800 - KACUTAQ16.800



Wiring diagram for Mod. KACUTAQ17.800 - KACUTAQ18.800 - KACUTAQ19.800

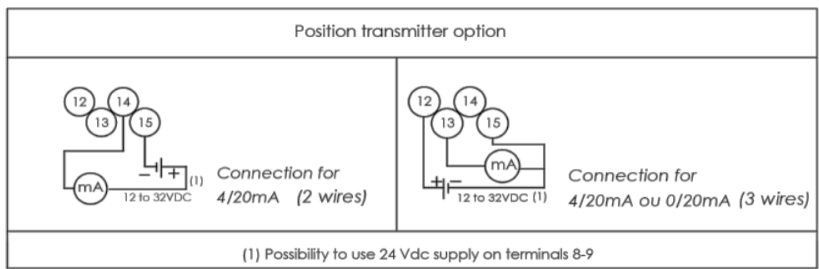
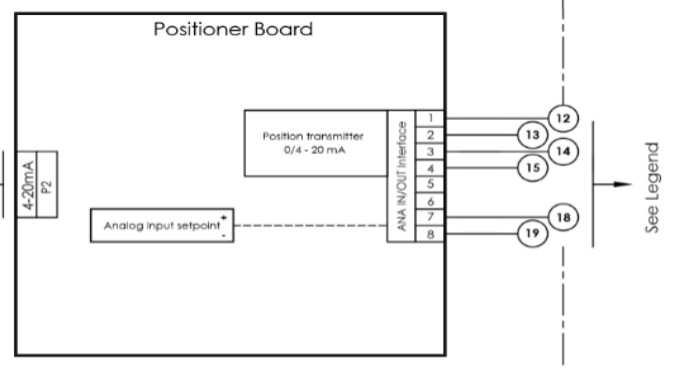
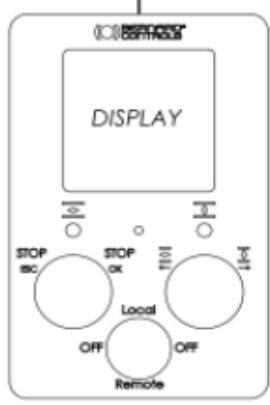
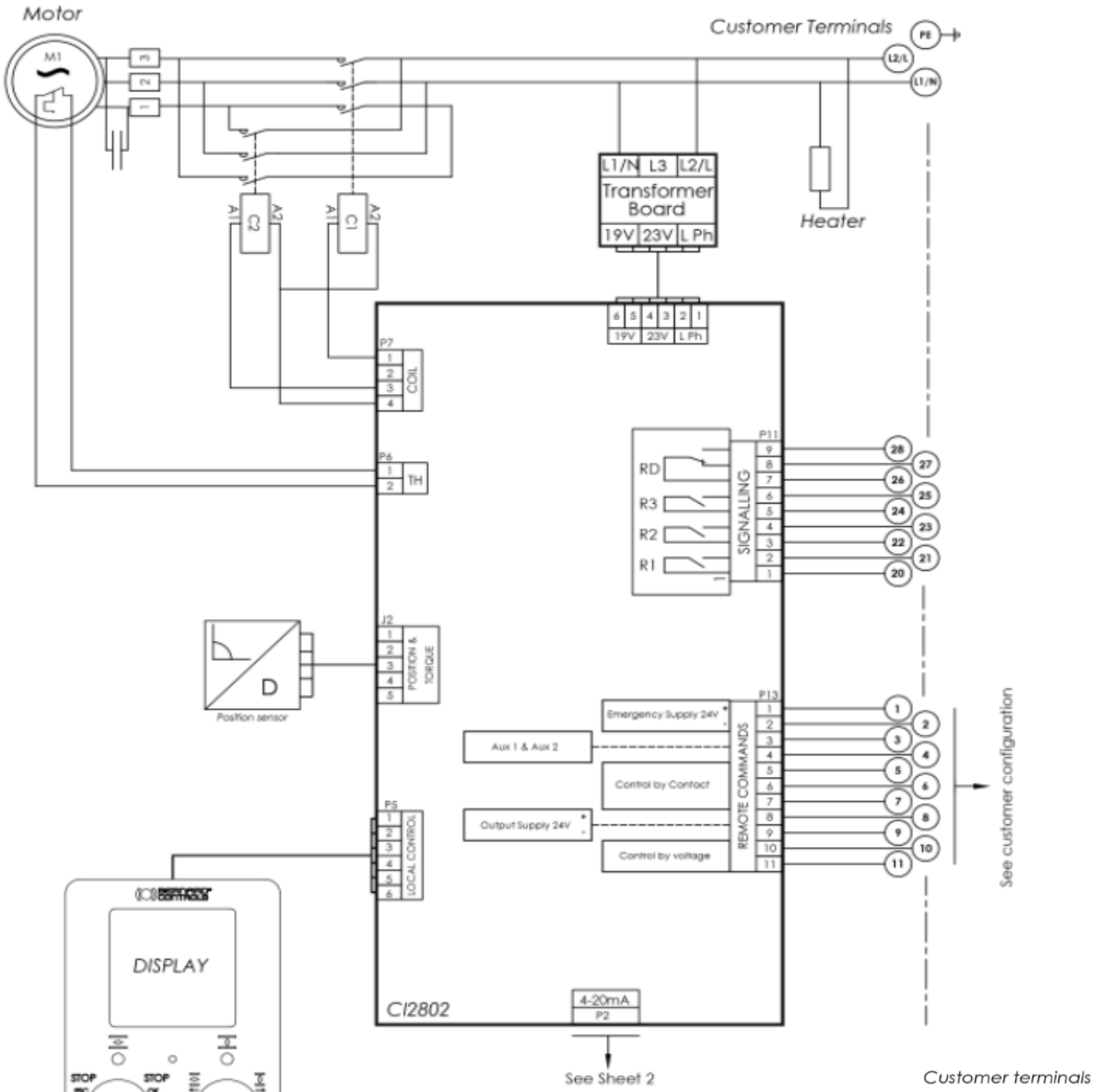


Common wiring legend only for Mod. KACUTAQ23.800 - KACUTAQ24.800 - KACUTAQ25.800 -  
 KACUTAQ26.800 - KACUTAQ27.800 - KACUTAQ28.800 -  
 KACUTAQ29.800 - KACUTAQ30.800



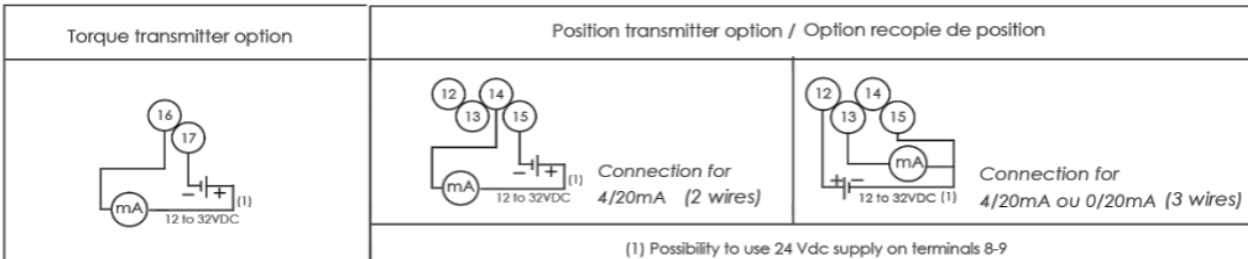
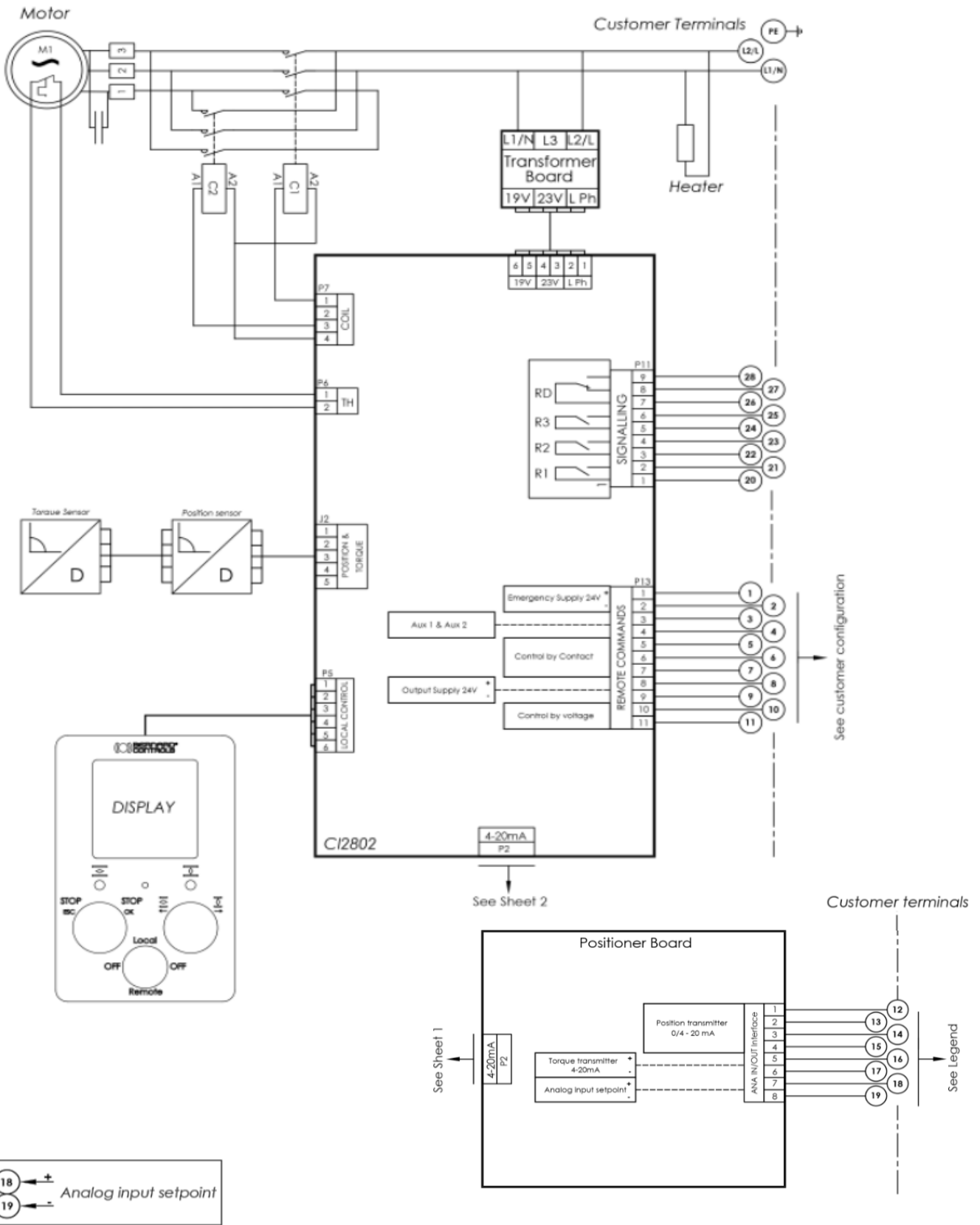
Aux1	Configurable command
Aux2	Configurable command
C	Closing command
O	Opening command
S	Stop
TH	Thermal protection
R1	Valve open
R2	Valve closed
R3	Configurable relay
RD	Fault relay terminal 26-28 closed actuator available

Wiring diagram for Mod. KACUTAQ23.800 - KACUTAQ24.800





Wiring diagram for Mod. KACUTAQ25.800 - KACUTAQ26.800 - KACUTAQ27.800  
KACUTAQ31.800 - KACUTAQ32.800



Wiring diagram for Mod. KACUTAQ28.800 - KACUTAQ29.800 - KACUTAQ30.800

