

Cutter-AQ

Electric Actuator



Via Circonvallazione, 10
13018 Valduggia (VC), Italy
Tel: +39 0163 47891
Fax: +39 0163 47895
www.vironline.com



Electric actuator with ISO 5211 connection
Torque range between 15Nm and 4300Nm
Manual override
Travel 90°, travel time between 13 and 152 seconds
Electric connections 2 x ISO M20
Enclosure protection IP68
CE compliant

Available in the following versions:

- Multivolt 85-260VAC and 24VDC (up to AQ70)
 - 220/230 VAC or 24VDC (for AQ100 and above)
- Suitable for 50Hz or 60Hz power supply

3 points control
2 adjustable limit switches (250VAC-5A or 48VDC-2,5A)
Torque limiter (for AQ250 and above)
Working temperature: -20° to +60°C



TECHNICAL DATA

VIR code	Model	P. Supply	Torque	Power	Tra. time
KACUTAQ00.800	AQ15	85-260VAC o 24VDC	15Nm	20W	13 sec.
KACUTAQ01.800	AQ30	85-260VAC o 24VDC	30Nm	20W	15 sec.
KACUTAQ02.800	AQ70	85-260VAC o 24VDC	70Nm	20W	15 sec.
KACUTAQ03.800	AQ100	220/230VAC	100Nm	15W	25 sec.
KACUTAQ04.800	AQ150	220/230VAC	150Nm	30W	30 sec.
KACUTAQ05.800	AQ250	220/230VAC	250Nm	40W	30 sec.
KACUTAQ06.800	AQ300	220/230VAC	300Nm	40W	35 sec.
KACUTAQ07.800	AQ500	220/230VAC	500Nm	60W	35 sec.
KACUTAQ11.800	AQ800	220/230VAC	800Nm	60W	55 sec.
KACUTAQ12.800	AQ2000	220/230VAC	2000Nm	150W	55 sec.
KACUTAQ13.800	AQ4300	220/230VAC	4300Nm	150W	152 sec.
KACUTAQ08.800	AQ100	24VDC	100Nm	30W	25 sec.
KACUTAQ09.800	AQ150	24VDC	150Nm	30W	30 sec.
KACUTAQ10.800	AQ250	24VDC	250Nm	50W	30 sec.
KACUTAQ17.800	AQ300	24VDC	300Nm	50W	30 sec.
KACUTAQ18.800	AQ500	24VDC	500Nm	50W	35 sec.
KACUTAQ19.800	AQ800	24VDC	800Nm	50W	40 sec.

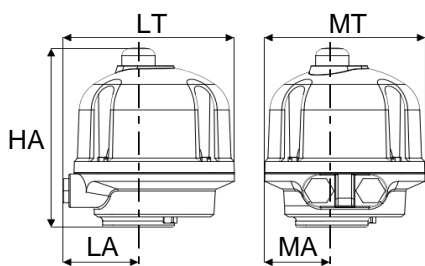
DIMENSIONS

Model	Flange	Connection [mm]	Weight [kg]
AQ15	F03, F04, F05, F07 ¹	□9, □11, ⊙14	2,5
AQ30	F03, F04, F05, F07 ¹	□9, □11, ⊙14	2,5
AQ70	F05, F07	□11, □14, □17, ⊙22	3,0
AQ100	F05, F07	□14	10,0
AQ150	F05, F07	□14	10,0
AQ250	F07, F10	□17	15,0
AQ300	F07, F10	□17	15,0
AQ500	F07, F10	□22	15,0
AQ800	F10, F12	⊙22	18,0
AQ2000	F16	□27	48,0
AQ4300	F16	□36	58,0

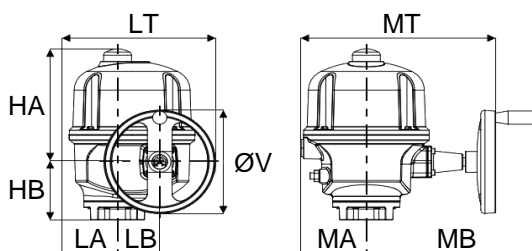
¹By using included adaptor

Adaptors to flanges and connections different from those indicated available on request

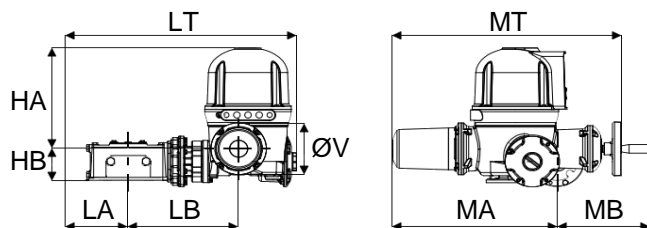
Dimensions on drawings in mm



AQ15, AQ30, AQ70



AQ100, AQ150, AQ250, AQ300, AQ500, AQ800



AQ2000, AQ4300

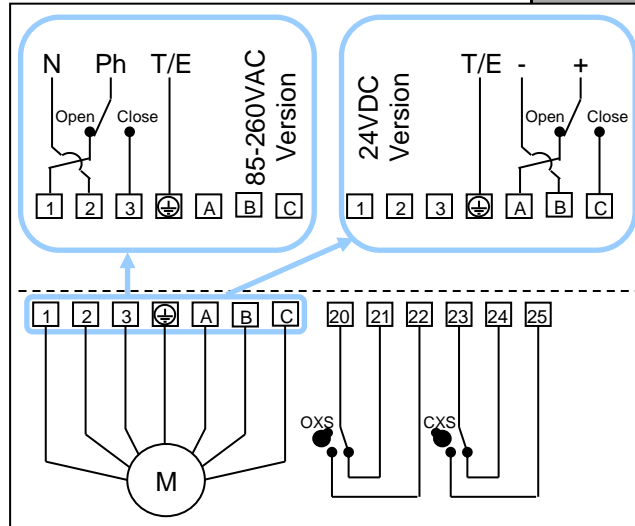
Model	LA [mm]	LB [mm]	LT [mm]	MA [mm]	MB [mm]	MT [mm]	HA [mm]	HB [mm]	ØV [mm]
AQ15	67	-	152	60	-	143	173	-	-
AQ30	67	-	152	60	-	143	173	-	-
AQ70	67	-	153	60	-	143	191	-	-
AQ100	74	60	184	96	184	230	204	82	100
AQ150	74	60	184	96	184	230	204	82	100
AQ250	86	74	224	117	248	315	215	102	100
AQ300	86	74	240	117	310	347	217	111	160
AQ500	86	94	260	117	310	347	217	111	200
AQ800	86	75	286	117	310	347	216	149	250
AQ2000	115	307	582	360	354	634	339	75	160
AQ4300	127	350	637	256	458	634	339	75	160



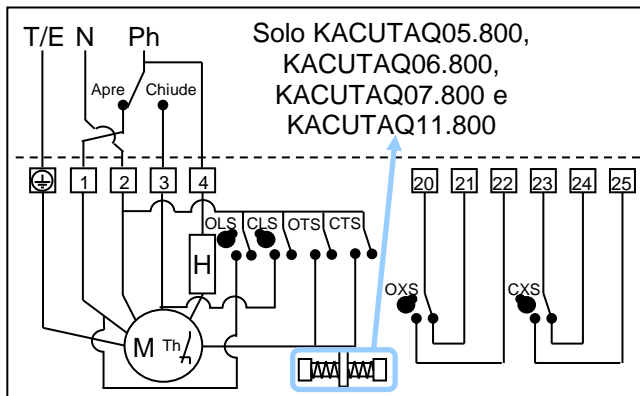
Via Circonvallazione, 10
13018 Valduggia (VC), Italy
Tel: +39 0163 47891
Fax: +39 0163 47895
www.vironline.com

WIRING DIAGRAMS

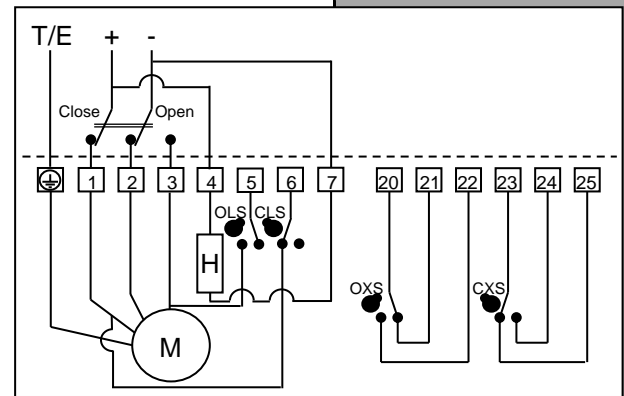
Ref.	Designation
OLS	Open limit switch
CLS	Close limit switch
OXS	Auxiliary limit switch 1
CXS	Auxiliary limit switch 2
OTS	Open torque switch
CTS	Close torque switch
M	Motor
H	Integral heater
N	Wiring to neutral
Ph	Wiring to phase
T/E	Earth



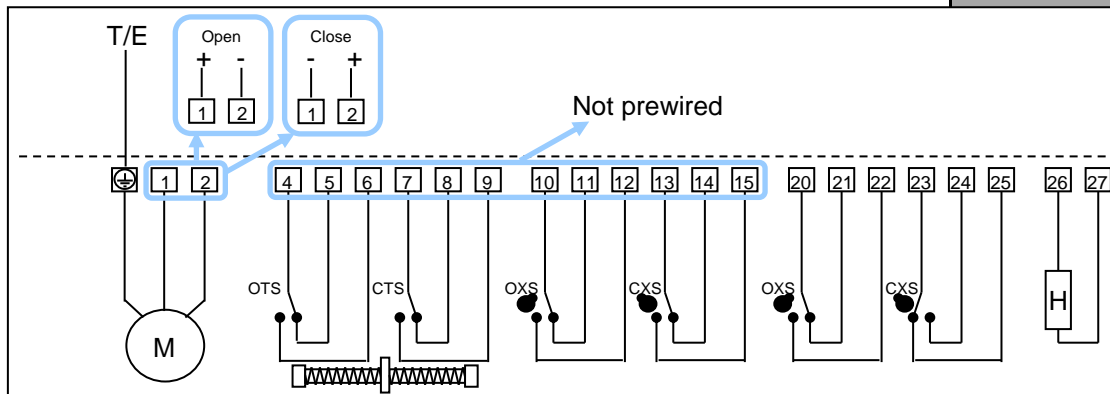
KACUTAQ00.800, KACUTAQ01.800,
KACUTAQ02.800



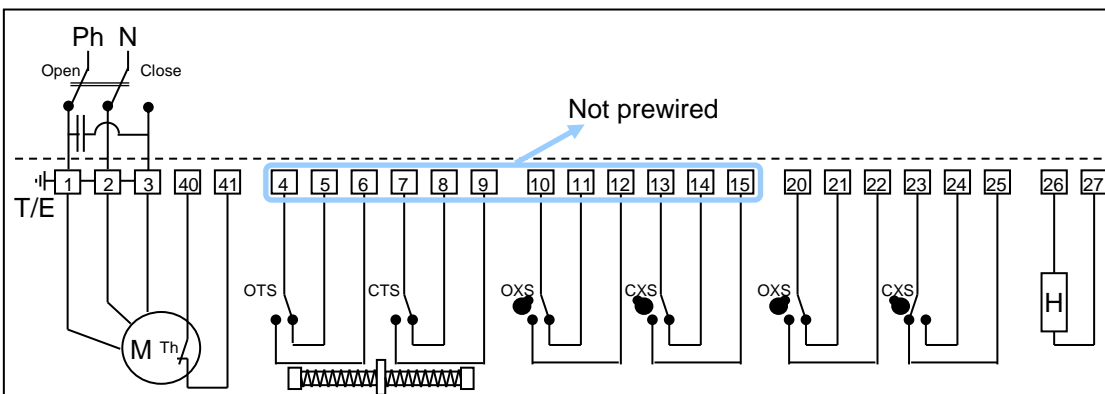
KACUTAQ03.800, KACUTAQ04.800, KACUTAQ05.800,
KACUTAQ06.800, KACUTAQ07.800, KACUTAQ11.800



KACUTAQ08.800, KACUTAQ09.800



KACUTAQ10.800, KACUTAQ17.800, KACUTAQ18.800, KACUTAQ19.800



KACUTAQ12.800, KACUTAQ13.800



Via Circonvallazione, 10
13018 Valduggia (VC), Italy
Tel: +39 0163 47891
Fax: +39 0163 47895
www.vironline.com