

9955

Ductile Iron Automatic Balancing Valve



Via Circonvallazione, 10
13018 Valduggia (VC), Italy
Tel: +39 0163 47891
Fax: +39 0163 47895
www.vironline.com

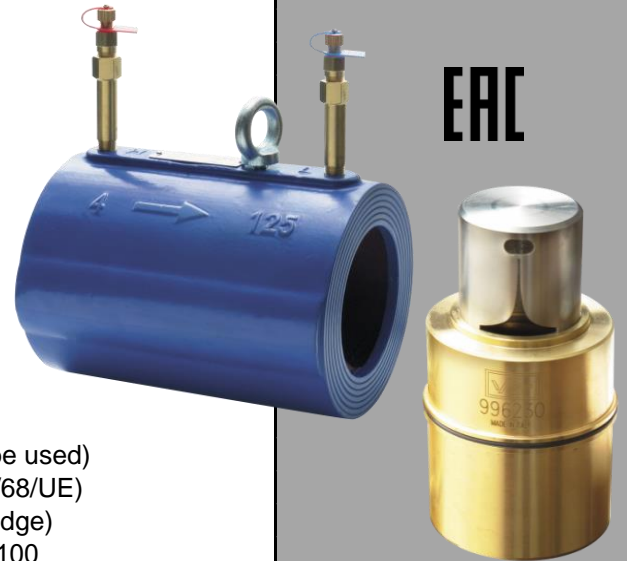


Ductile iron Wafer automatic balancing valve
For EN1092 PN16 or ASME B16.42 class 150 flanges
Provided with eyebolt for DN≥100
Wide range of flows available (see cartridge section)
Test points included
TR CU 010 compliant

PN16 (PN25 available on request)
Free of CE marking (cat. according to Art. 4.3 Dir. 2014/68/EU)

Working conditions

- Suitable for: water, - 10°C to +110°C
below 0°C only for water with added antifreeze fluids
over 100°C only for water with added anti-boiling fluids
(Ethylene glycol or propylene glycol mixtures up to 50% may be used)
- Not suitable for: gases group 1 & 2, liquids group 1 (Dir. 2014/68/UE)
- Flow range from 1,6l/s to 9,7l/s for DN65 e DN80 (single cartridge)
- Higher flows available with the multi cartridge system for DN≥100
- Minimum working ΔP depending on cartridge configuration

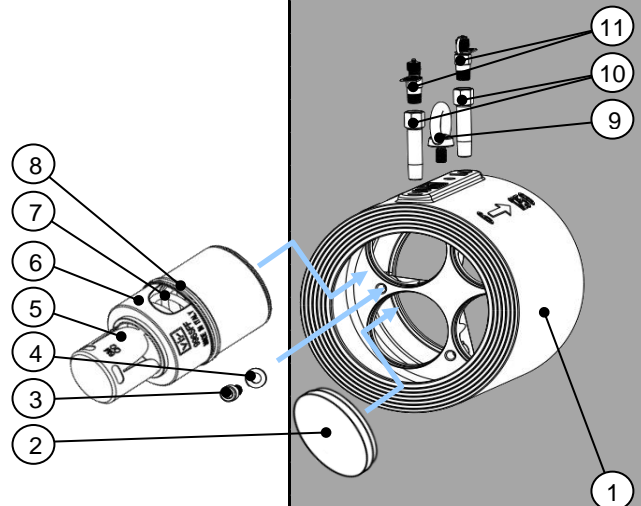


PARTLIST

N.	Part	Material	Norm
1	Body	Ductile iron	EN1563 EN-GJS-400-18
2	Blind cap	DZR brass	EN12164 CW602N
3	Cartridge O-ring	EPDM Perox	-
4	Shaped opening	Stainless steel	-
5	Cartridge body	DZR brass	EN12164 CW602N
6	Cartridge spring	Stainless steel	EN10270-3 1.4310HS
7	Screw	Stainless steel	-
8	Washer ¹	Stainless steel	-
9	Eyebolt	Steel	-
10	Extension	DZR brass	EN12164 CW602N
11	Test point	DZR brass ²	EN12164 CW602N

¹Cartridges kept in place by means of stainless steel spring for DN65 and DN80

²Test points with EPDM Perox gaskets and polypropylene ties

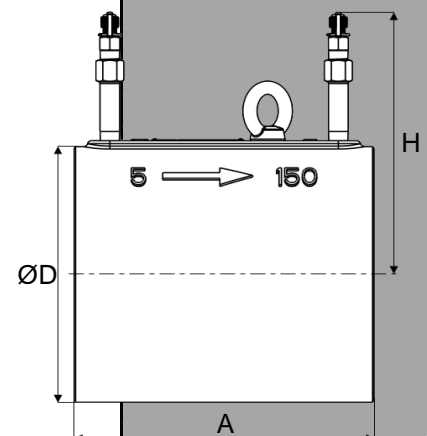


DIMENSIONS

DN	ØD [mm]	A [mm]	H [mm]	Number of cart.	Valve wgt ¹ [kg]	Cart. wgt ² [kg]	Flow [l/s]
065	119	170	162	1	4,1	1,3	1,6-9,7
080	131	170	168	1	5,6	1,3	1,6-9,7
100	163	210	184	2	8,4	1,3	1,6-19,4
125	193	210	199	3	10,6	1,3	1,6-29,1
150	216	210	210	4	12,5	1,3	1,6-38,8
200	271	210	238	7	15,8	1,3	1,6-67,9
250	328	210	266	10	22,3	1,3	1,6-97,0
300	383	210	294	14	27,7	1,3	1,6-135,8

¹For valve body without cartridge

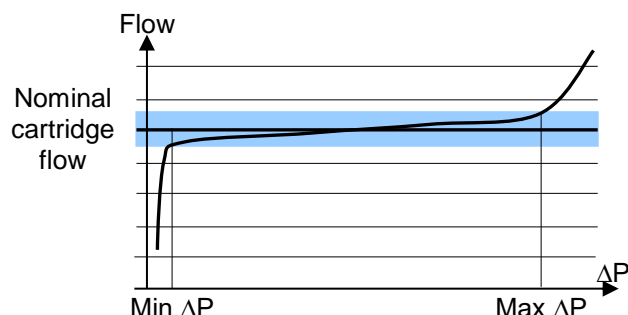
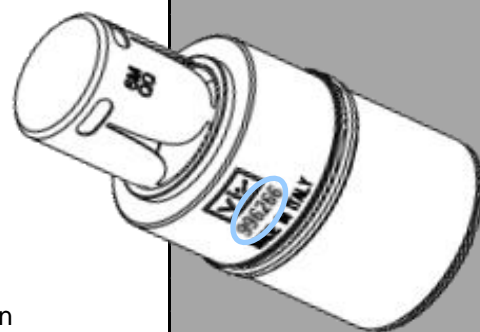
²For single cartridge



200617

CARTRIDGES

Cartridges have different ranges of working differential pressure, the minimum working ΔP depends on the specific cartridge model. A numeric code is marked on the cartridge body univocally identifying it (example for KRR996266.1880).



Flow regulation accuracy $\pm 5\%$ of nominal flow

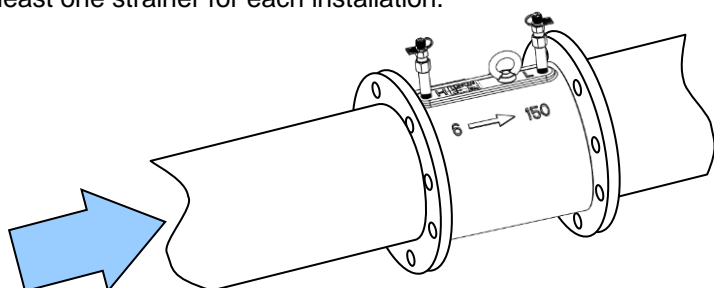
If installed, the test points allow to verify if the valve is actually working within the range suitable for the selected cartridge.

VIR code	Flow [l/s]	Flow [l/h]	Range ΔP [kPa]
KRR996216.1880	1,6	5760	14-230
KRR996218.1880	1,8	6480	14-230
KRR996220.1880	2,0	7200	14-230
KRR996222.1880	2,2	7920	15-230
KRR996224.1880	2,4	8640	15-230
KRR996227.1880	2,7	9720	15-230
KRR996230.1880	3,0	10800	16-230
KRR996233.1880	3,3	11880	16-230
KRR996236.1880	3,6	12960	16-230
KRR996240.1880	4,0	14400	17-230
KRR996245.1880	4,5	16200	17-230
KRR996250.1880	5,0	18000	19-230
KRR996255.1880	5,5	19800	19-230
KRR996260.1880	6,0	21600	21-230
KRR996266.1880	6,6	23760	21-230
KRR996273.1880	7,3	26280	25-230
KRR996280.1880	8,0	28800	28-230
KRR996288.1880	8,8	31680	35-230
KRR996297.1880	9,7	34920	40-230

INSTALLATION

Install the valve so that the flow direction matches the direction of the arrow indicated on the body of the valve. Perform correct flushing of the plant before installing the cartridges.

In order to obtain the best correct flowrate regulation the valves should be installed using pipes of its same nominal size. Water quality should be according VDI 2035. Use at least one strainer for each installation.



Via Circonvallazione, 10
13018 Valduggia (VC), Italy
Tel: +39 0163 47891
Fax: +39 0163 47895
www.vironline.com