

# 9900P series

Straight DZR Brass Automatic Balancing Valve



Via Circonvallazione, 10  
13018 Valduggia (VC), Italy  
Tel: +39 0163 47891  
Fax: +39 0163 47895  
www.vironline.com

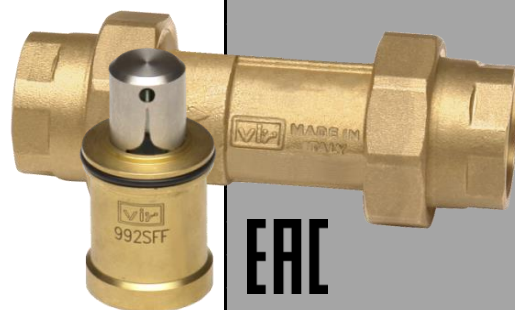


DZR brass automatic balancing valve  
With threaded union F/F ends (ISO 7/1 Rp)  
Wide range of flows available (see cartridges section)  
Valve bodies interchangeable with 9900V series bodies  
(please refer to specific technical sheet)  
TR CU 010 compliant

PN25 (Max 25bar up to 110°C, max 20bar above)  
Free of CE marking (cat. according to Art. 4.3 Dir. 2014/68/EU)

## Working conditions

- Suitable for: water, -10°C to +130°C  
below 0°C only for water with added antifreeze fluids  
over 100°C only for water with added anti-boiling fluids  
(Glycolic-Ethylene and glycolic-propylene mixtures up to 50% may be used)
- Not suitable for: gases group 1 & 2, liquids group 1 (Dir. 2014/68/UE)
- Flow range from 0,02l/s to 0,20l/s for DN15 and L-DN20 valves
- Flow range from 0,13l/s to 0,95l/s for H-DN15, DN20 and DN25 valves
- Flow range from 0,31l/s to 2,60l/s for DN32, DN40 and DN50 valves
- Working  $\Delta P$  depending on selected cartridge

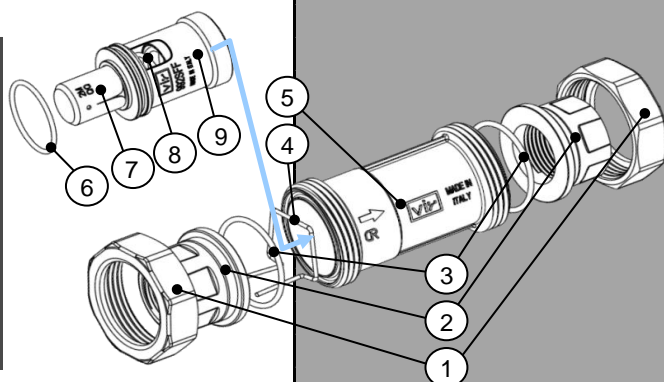


EAC

## PARTLIST

N.	Part	Material	Norm
1	Union nut	Brass	EN12165 CW617N
2	Union <sup>1</sup>	DZR Brass	EN12165 CW602N
3	Union O-ring	EPDM Perox	-
4	Spring	Stainless steel	EN10270-3 1.4310HS
5	Body	DZR Brass	EN12165 CW602N
6	Cartridge OR	EPDM Perox	-
7	Shaped opening	Stainless steel	-
8	Cartridge body	DZR Brass	EN12164 CW602N
9	Cartridge spring	Stainless steel	EN10270-3 1.4310HS

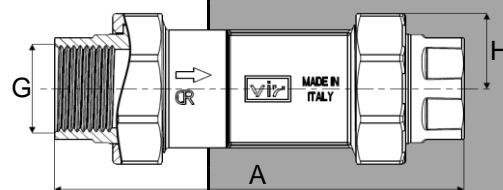
<sup>1</sup>In two pieces for L-DN20 and DN50



## DIMENSIONS

DN	G	A [mm]	H [mm]	$K_v^1$ [m <sup>3</sup> /h]	Valve wgt [g]	Cart. wgt [g]
015	½"	96	41	12	280	45
H 015	½"	110	49	18	459	95
L 020	¾"	117	41	12	355	45
020	¾"	116	49	18	457	95
025	1"	120	55	24	591	95
032	1¼"	163	75	84	1270	253
040	1½"	163	79	84	1486	253
050	2"	208	79	82	2020	253

<sup>1</sup>For valve body without cartridge

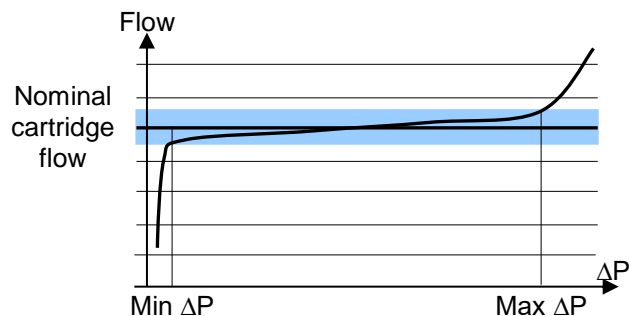
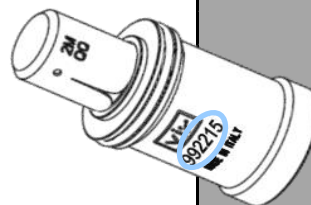


160401

# CARTRIDGES

Cartridges are available in different ranges of working differential pressure, the minimum and maximum working  $\Delta P$  therefore depend on the specific cartridge model.

A numeric code is marked on the cartridge body univocally identifying it (example for KRR992215.1880).



Flow regulation accuracy  $\pm 5\%$  of nominal flow

## MINI: for DN15 and L-DN20 valves

VIR Code	Flow [l/s]	Flow [l/h]	Range $\Delta P$ [kPa]
KRR991202.1880	0,02	72	15-170
KRR991203.1880	0,03	108	16-220
KRR991204.1880	0,04	144	16-220
KRR991205.1880	0,05	180	16-220
KRR991206.1880	0,06	216	16-220
KRR991207.1880	0,07	252	16-220
KRR991208.1880	0,08	288	16-220
KRR991209.1880	0,09	324	16-220
KRR991210.1880	0,10	360	16-220
KRR991211.1880	0,11	396	17-220
KRR991212.1880	0,12	432	17-220
KRR991213.1880	0,13	468	17-220
KRR991214.1880	0,14	504	17-220
KRR991215.1880	0,15	540	17-220
KRR991216.1880	0,16	576	17-220
KRR991218.1880	0,18	648	18-220
KRR991220.1880	0,20	720	19-220



Via Circonvallazione, 10  
13018 Valduggia (VC), Italy  
Tel: +39 0163 47891  
Fax: +39 0163 47895  
[www.vironline.com](http://www.vironline.com)

**SMALL: for H-DN15, DN20 and DN25 valves**

Standard range

VIR Code	Flow [l/s]	Flow [l/h]	Range $\Delta$ P [kPa]
KRR992213.1880	0,13	468	17-240
KRR992215.1880	0,15	540	17-240
KRR992217.1880	0,17	612	17-240
KRR992219.1880	0,19	684	17-240
KRR992221.1880	0,21	756	18-240
KRR992224.1880	0,24	864	18-240
KRR992227.1880	0,27	972	18-240
KRR992230.1880	0,30	1080	18-240
KRR992233.1880	0,33	1188	18-240
KRR992236.1880	0,36	1296	18-240
KRR992240.1880	0,40	1440	18-240
KRR992245.1880	0,45	1620	19-240
KRR992250.1880	0,50	1800	19-240
KRR992255.1880	0,55	1980	21-240
KRR992260.1880	0,60	2160	22-240
KRR992266.1880	0,66	2376	24-240
KRR992272.1880	0,72	2592	24-240

HP range

VIR Code	Flow [l/s]	Flow [l/h]	Range $\Delta$ P [kPa]
KRR992318.1880	0,18	648	29-440
KRR992320.1880	0,20	720	32-440
KRR992323.1880	0,23	828	33-440
KRR992327.1880	0,25	900	33-440
KRR992329.1880	0,29	1044	33-440
KRR992332.1880	0,32	1152	33-440
KRR992336.1880	0,36	1296	33-440
KRR992340.1880	0,40	1440	33-440
KRR992345.1880	0,45	1620	33-440
KRR992350.1880	0,50	1800	33-440
KRR992355.1880	0,55	1980	34-440
KRR992361.1880	0,61	2196	36-440
KRR992368.1880	0,68	2448	36-440
KRR992375.1880	0,75	2700	36-440
KRR992380.1880	0,80	2880	36-440
KRR992386.1880	0,86	3096	40-440
KRR992395.1880	0,95	3420	40-440

**MEDIUM: for DN32, DN40 and DN50 valves**

Standard range

VIR Code	Flow [l/s]	Flow [l/h]	Range $\Delta$ P [kPa]
KRR994231.1880	0,31	1116	13-230
KRR994234.1880	0,34	1224	13-230
KRR994237.1880	0,37	1332	13-230
KRR994240.1880	0,40	1440	14-230
KRR994246.1880	0,46	1656	14-230
KRR994250.1880	0,50	1800	14-230
KRR994255.1880	0,55	1980	14-230
KRR994258.1880	0,58	2088	14-230
KRR994262.1880	0,62	2232	14-230
KRR994267.1880	0,67	2412	15-230
KRR994274.1880	0,74	2664	15-230
KRR994283.1880	0,83	2988	15-230
KRR994290.1880	0,90	3240	15-230
KRR994297.1880	0,97	3492	15-230
KRR994210.1880	1,05	3780	15-230
KRR994212.1880	1,20	4320	15-230
KRR994213.1880	1,30	4680	16-230
KRR994214.1880	1,44	5184	17-230
KRR994216.1880	1,56	5616	17-230
KRR994217.1880	1,68	6048	18-230
KRR994218.1880	1,80	6480	19-230
KRR994220.1880	1,96	7056	19-230

HP range

VIR Code	Flow [l/s]	Flow [l/h]	Range $\Delta$ P [kPa]
KRR994341.1880	0,41	1476	26-420
KRR994346.1880	0,46	1656	26-420
KRR994351.1880	0,51	1836	26-420
KRR994355.1880	0,55	1980	27-420
KRR994362.1880	0,62	2232	27-420
KRR994368.1880	0,68	2448	27-420
KRR994374.1880	0,74	2664	27-420
KRR994379.1880	0,79	2844	27-420
KRR994383.1880	0,83	2988	27-420
KRR994391.1880	0,91	3276	28-420
KRR994310.1880	1,00	3600	28-420
KRR994311.1880	1,11	3996	28-420
KRR994312.1880	1,20	4320	29-420
KRR994313.1880	1,30	4680	29-420
KRR994314.1880	1,39	5004	29-420
KRR994316.1880	1,64	5904	30-420
KRR994318.1880	1,75	6300	31-420
KRR994319.1880	1,90	6840	31-420
KRR994321.1880	2,06	7416	32-420
KRR994322.1880	2,23	8028	34-420
KRR994324.1880	2,40	8640	35-420
KRR994326.1880	2,60	9360	38-420

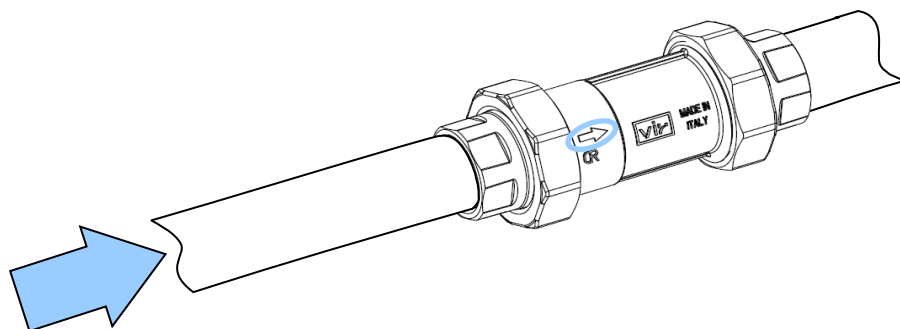


Via Circonvallazione, 10  
13018 Valduggia (VC), Italy  
Tel: +39 0163 47891  
Fax: +39 0163 47895  
www.vironline.com

## INSTALLATION

Install the valve so that the flow direction matches the direction of the arrow indicated on the body of the valve. Perform correct flushing of the plant before installing the cartridge.

In order to obtain the best correct flowrate regulation the valves should be installed using pipes of its same nominal size. Water quality should be according VDI 2035. Use at least one strainer for each installation.



Via Circonvallazione, 10  
13018 Valduggia (VC), Italy  
Tel: +39 0163 47891  
Fax: +39 0163 47895  
[www.vironline.com](http://www.vironline.com)