

980F series

DZR Brass ON/OFF Ball Valve with Connection for Actuator



Via Circonvallazione, 10
13018 Valduggia (VC), Italy
Tel: +39 0163 47891
Fax: +39 0163 47895
www.vironline.com



DZR brass ON/OFF ball valve with connection for actuator

Available in the following versions:

- 2-way, threaded F/F (ISO 7/1 Rp)
 - 3-way with "L" ball, threaded F/F/F (ISO 7/1 Rp)
 - 3-way with "T" ball, threaded F/F/F (ISO 7/1 Rp)
- (available on request with ASME B1.20.1 NPT threads)

Actuator connection according to ISO 5211 F04-□9mm

Blow-out proof stem

TR CU 010 compliant

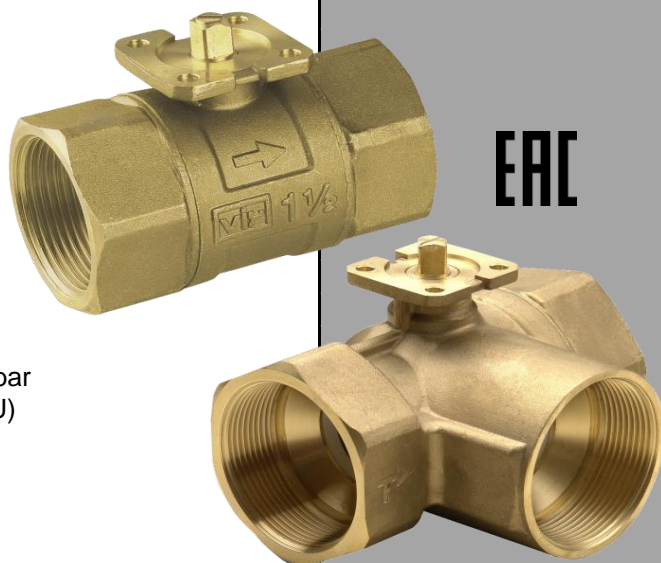
Shell rating: PN40

Working conditions: Max 16bar, max differential pressure 3,5bar

Free of CE marking (cat. according to Art. 4.3 Dir. 2014/68/EU)

Working conditions

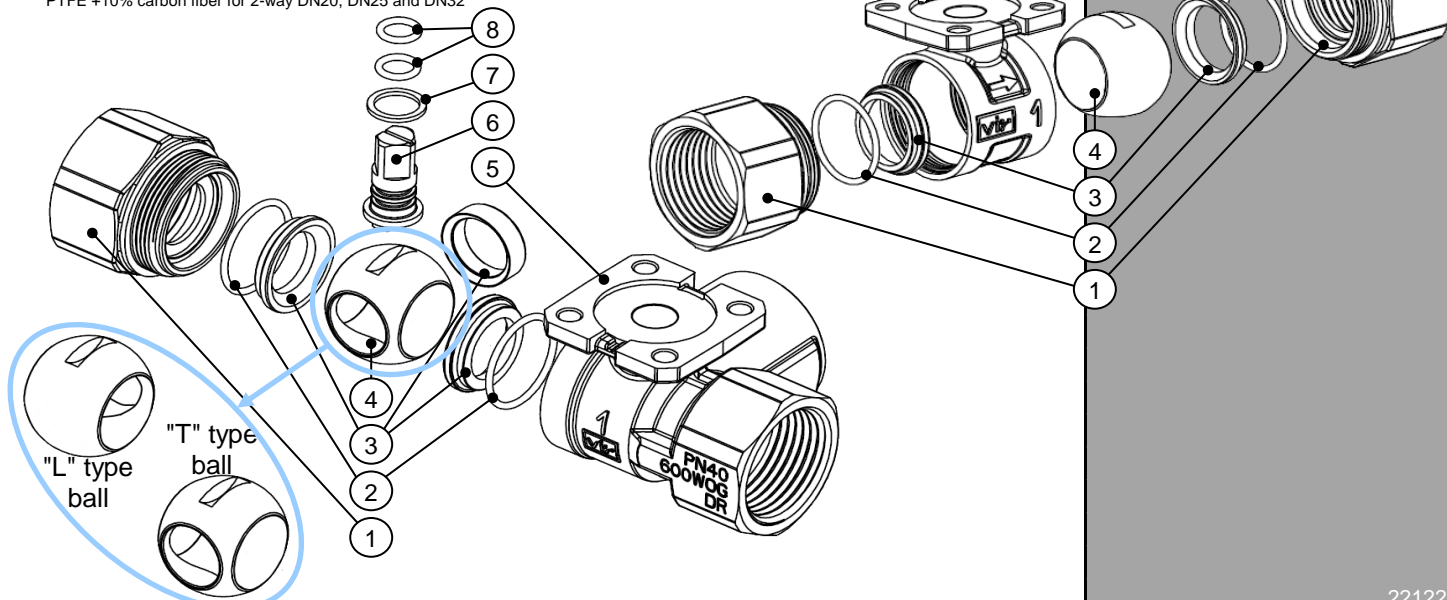
- Suitable for: water, -10°C to +130°C
below 0°C only for water with added antifreeze fluids
over 100°C only for water with added anti-boiling fluids
(Glycolic-Ethylene and glycolic-propylene mix. >20% and ≤50% may be used)
- Not suitable for: gases group 1 & 2, liquids group 1 (Dir. 2014/68/EU)



PARTLIST

N.	Part	Material	Norm
1	Fixed end	DZR Brass	EN12165 CW602N
2	Seat O-ring	EPDM Perox	-
3	Seat	PTFE ¹	-
4	Ball	Chrom. pl. DZR Brass	EN12164 CW602N
5	Body	DZR Brass	EN12165 CW602N
6	Stem	DZR Brass	EN12164 CW602N
7	Antifriction ring	PTFE+Bronzo+MoS ₂	-
8	Stem O-ring	EPDM Perox	-

¹PTFE +10% carbon fiber for 2-way DN20, DN25 and DN32



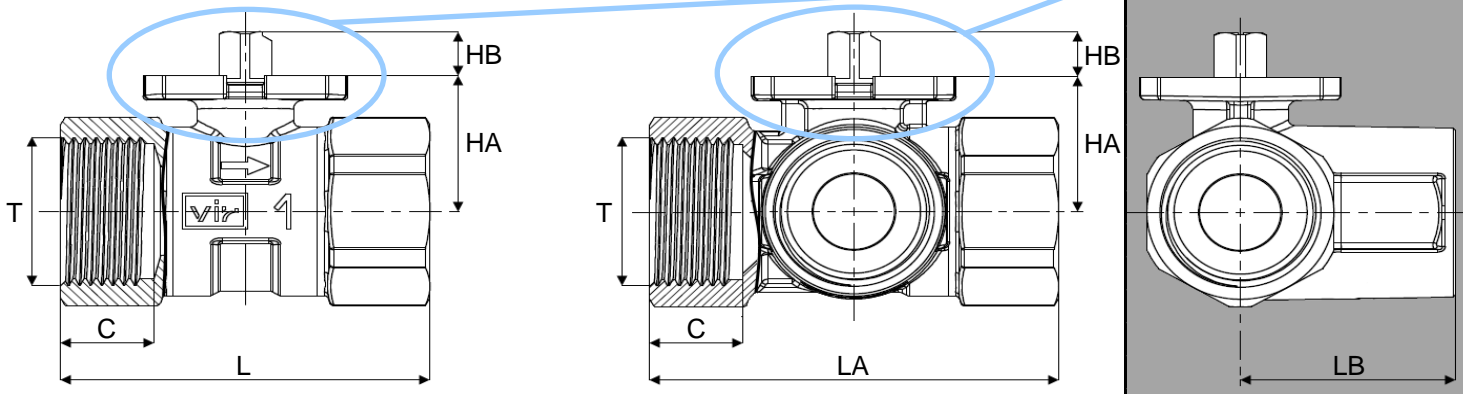
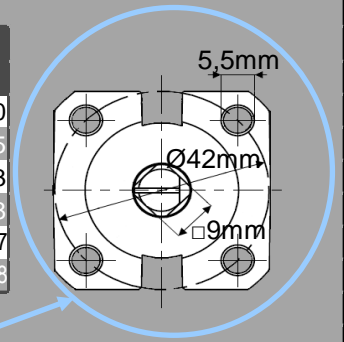
221222

DIMENSIONS

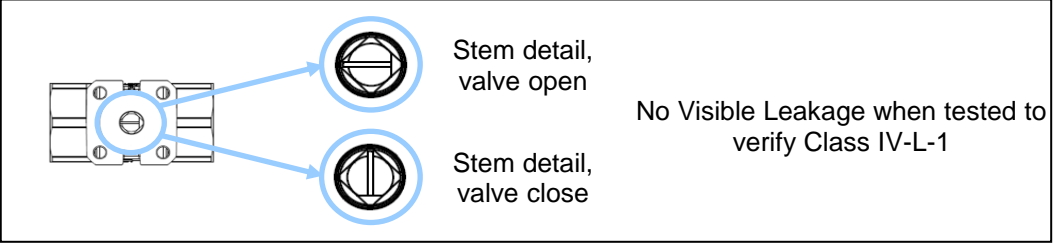
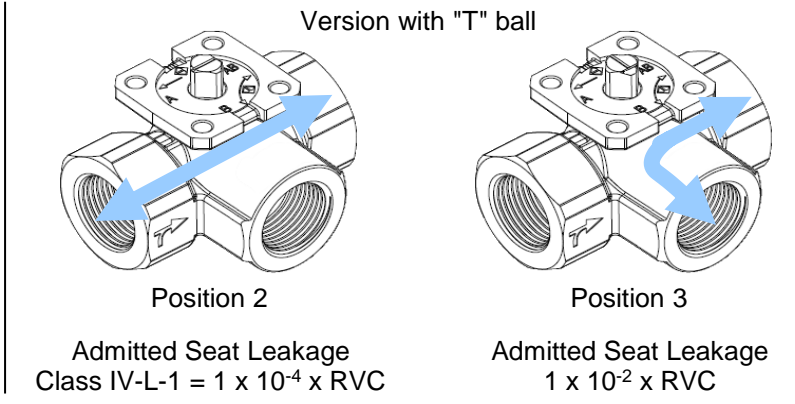
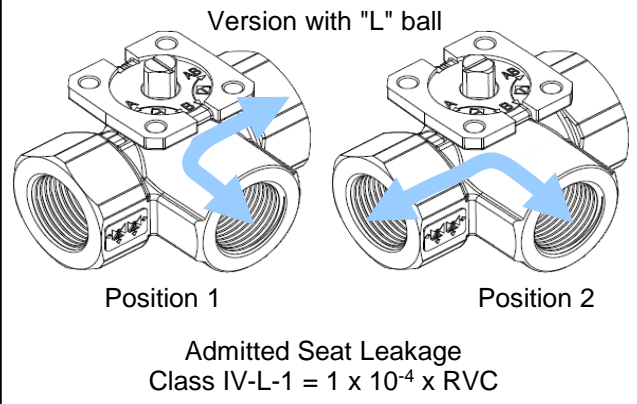
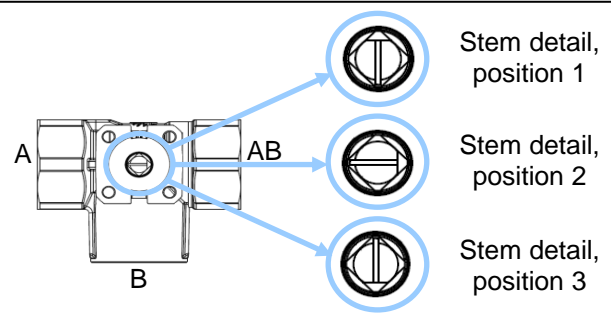
DN	T	L [mm]	LA [mm]	LB [mm]	C [mm]	HA [mm]	HB [mm]	ISO-□Q [mm]	Torque ¹ [Nm]	Weight ² [g]
015	½"	61,6	66,6	34,0	15,5	27,6	10,0	F04 - □9	2,0	284 / 315 / 310
020	¾"	67,0	80,4	39,8	16,5	30,5	10,0	F04 - □9	2,0	352 / 418 / 405
025	1"	76,8	85,4	44,8	19,5	30,5	10,0	F04 - □9	3,0	477 / 646 / 633
032	1¼"	88,0	99,2	52,6	21,5	34,3	10,0	F04 - □9	3,5	700 / 976 / 958
040	1½"	101,8	109,6	57,1	21,5	39,8	10,0	F04 - □9	3,5	1113 / 1427 / 1387
050	2"	116,2	131,4	68,9	25,0	52,8	10,0	F04 - □9	3,5	1751 / 2388 / 2298

¹Indicated torque valid for Δp≤1bar, torque is anyway ≤5Nm in the max Δp working range

²Weight of 2-way version / weight of 3-way version with "L" ball / weight of 3-way version with "T" ball



WORKING DIAGRAM



Admitted Seat Leakage Classes according to IEC 60534-4. RVC: "Rated Valve Capacity" as per IEC 60534-4 standard.



Via Circonvallazione, 10
13018 Valduggia (VC), Italy
Tel: +39 0163 47891
Fax: +39 0163 47895
www.vironline.com

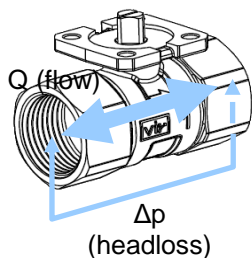
HEADLOSS CALCULATION

$$\Delta p = \left(\frac{36 \cdot Q}{K_v} \right)^2$$

Formula linking flow Q (in l/s) and theoretical valve headloss Δp (in kPa).
K_v value depends on valve version and working positions as indicated on following tables.

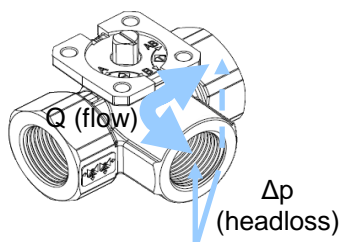
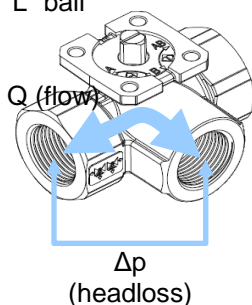
2-way version

DN	K _v [m ³ /h]
015	15
020	22
025	22
032	35
040	68
050	96



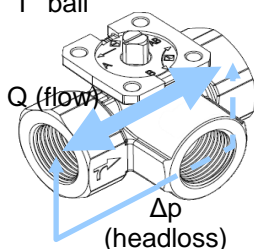
3-way version with "L" ball

DN	K _v [m ³ /h]
015	5
020	9
025	9
032	13
040	25
050	37

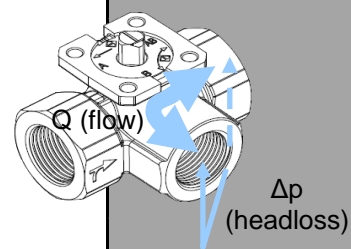


3-way version with "T" ball

DN	K _v [m ³ /h]
015	12
020	16
025	16
032	25
040	49
050	73



DN	K _v [m ³ /h]
015	6
020	8
025	8
032	12,5
040	24,5
050	36,5



Via Circonvallazione, 10
13018 Valduggia (VC), Italy
Tel: +39 0163 47891
Fax: +39 0163 47895
www.vironline.com