

90, 90LK

Bronze Metal Sealed Gate Valve



Via Circonvallazione, 10
13018 Valduggia (VC), Italy
Tel: +39 0163 47891
Fax: +39 0163 47895
www.vironline.com



Bronze gate valve
Threaded F/F (ISO 7/1 Rp)
EN12288/B (ex BS5154/B) compliant
Air testing according to EN12266-1
Non rising blow-out proof stem
Adjustable packing
Metal seal

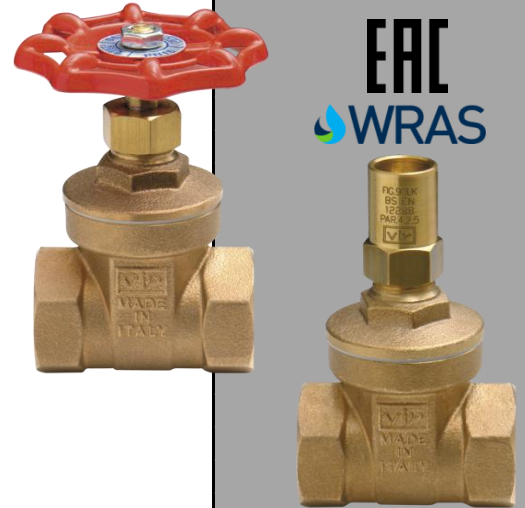
Available in the following versions:

- Fig. 90, with aluminum handwheel
 - Fig. 90LK, with lockshield (require dedicated tool to be operated)
- WRAS and TR CU 010 compliant

PN16 (Max 16bar up to 100°C, max 7bar at 170°C)
Free of CE marking (cat. according to Art. 4.3 Dir. 2014/68/EU)

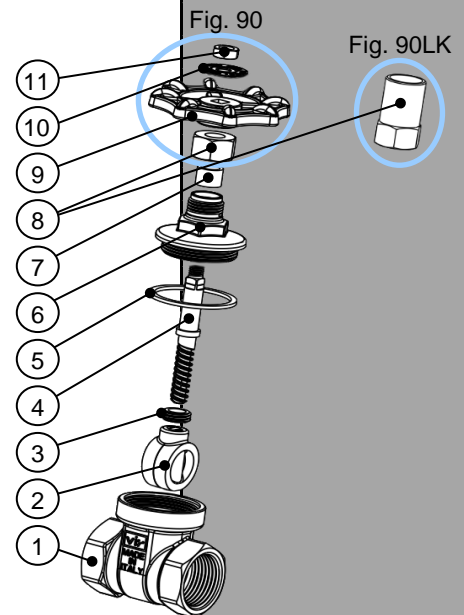
Working conditions

- Suitable for: water, -10°C to +170°C
below 0°C only for water with added antifreeze fluids
- Not suitable for: gases group 1 & 2, liquids group 1 (Dir. 2014/68/EU)



PARTLIST

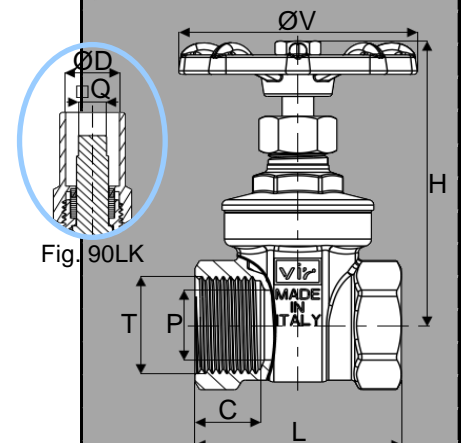
| N. | Part | Material | Norm |
|----|--------------|-----------|----------------|
| 1 | Body | Bronze | EN1982 CC491K |
| 2 | Wedge | DZR Brass | EN12164 CW602N |
| 3 | Ring | Brass | EN12164 CW617N |
| 4 | Stem | DZR Brass | EN12164 CW602N |
| 5 | Gasket | PTFE | - |
| 6 | Bonnet | Bronze | EN1982 CC491K |
| 7 | Packing ring | Graphite | - |
| 8 | Packing nut | Brass | EN12164 CW617N |
| 9 | Handwheel | Aluminum | - |
| 10 | Disc | Aluminum | - |
| 11 | Nut | Steel | EN10025 Fe42 |



DIMENSIONS

| DN | T | L | C | P | H ¹ | ØV | ØD-□Q | K _v | Weight ¹ |
|-----|-----|------|------|------|----------------|------|---------|---------------------|---------------------|
| | | [mm] | [mm] | [mm] | [mm] | [mm] | [mm] | [m ³ /h] | [g] |
| 015 | ½" | 49 | 15,5 | 13 | 66/68 | 60 | 13,5-□6 | 9 | 240/230 |
| 020 | ¾" | 52 | 16,5 | 19 | 77/77 | 60 | 13,5-□7 | 20 | 320/310 |
| 025 | 1" | 61 | 19,5 | 25 | 89/85 | 70 | 13,5-□7 | 35 | 485/465 |
| 032 | 1¼" | 70 | 21,5 | 32 | 111/104 | 85 | 16,0-□7 | 62 | 760/730 |
| 040 | 1½" | 72 | 21,5 | 38 | 124/115 | 85 | 18,8-□8 | 104 | 1120/1080 |
| 050 | 2" | 84 | 26 | 49 | 143/134 | 100 | 18,8-□8 | 169 | 1615/1565 |

¹Fig. 90 / Fig. 90LK



240903