

89DV-241

DZR Brass Drain Valve



Via Circonvallazione, 10
13018 Valduggia (VC), Italy
Tel: +39 0163 47891
Fax: +39 0163 47895
www.vironline.com



®

DZR brass drain valve
Threaded M (3/8" ISO 7/1R) on valve side
Threaded M (3/4" ISO 228/1) on drain side
Blow-out proof stem
O-ring + adjustable packing
TR CU 010 compliant

PN25 (max 25bar up to 110°C, max 20bar above)
Free of CE marking (cat. according to Art. 4.3 Dir. 2014/68/EU)

Working conditions

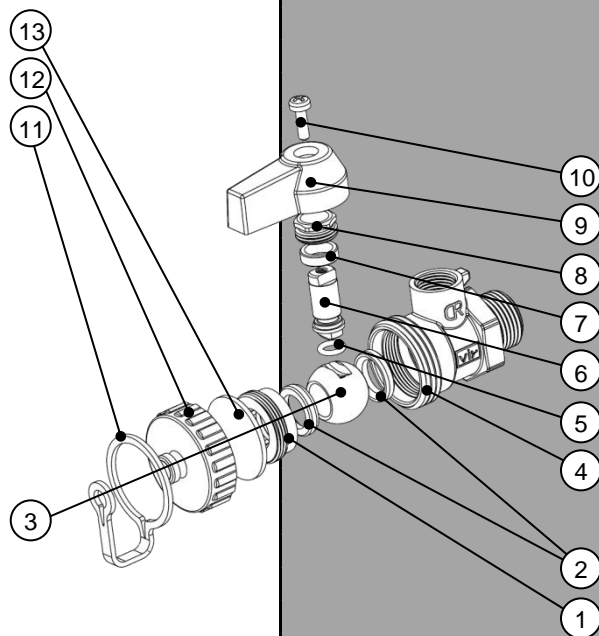
- Suitable for: water, -10°C to +130°C
below 0°C only for water with added antifreeze fluids
- Not suitable for: gases group 1 & 2, liquids group 1 (Dir. 2014/68/UE)



EAC

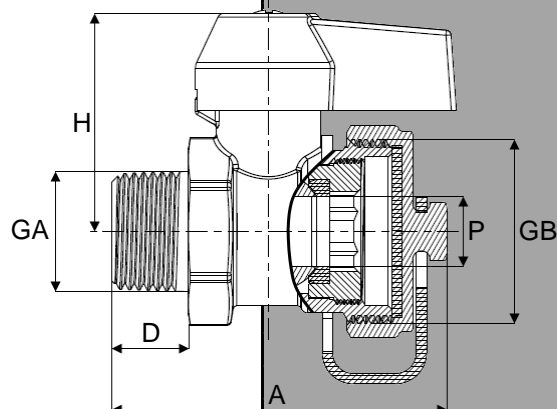
PARTLIST

N.	Part	Material	Norm
1	Ring nut	DZR Brass	-
2	Seat	PTFE	-
3	Ball	Chr. pl. DZR brass	-
4	Body	DZR Brass	-
5	O-ring	EPDM Perox	-
6	Stem	DZR Brass	-
7	Packing	PTFE	-
8	Packing nut	Brass	-
9	Handle	Alluminio	-
10	Screw	Zinc plated steel	-
11	Cap gasket	EPDM Perox	-
12	Cap	Brass	-
13	Tie	Rubber	-



DIMENSIONS

DN	GA	GB	A	D	P	H	Weight
			[mm]	[mm]	[mm]	[mm]	[g]
010	3/8"	3/4"	48,2	11,0	10,0	31,5	130



201125