

895

Cast Iron Strainer



Via Circonvallazione, 10
13018 Valduggia (VC), Italy
Tel: +39 0163 47891
Fax: +39 0163 47895
www.vironline.com



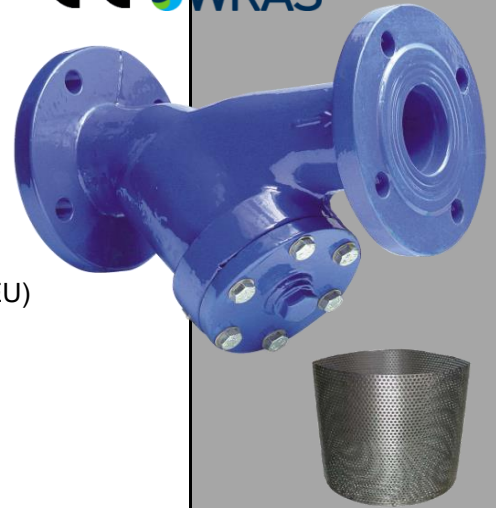
Cast iron strainer in GG25
Flanged PN16 according to EN1092-2 (ex DIN2533)
Lengths according to EN558-1 series 1 (ex DIN3202 F1)
Epoxy coating (min. 200µm)
Steel strainer AISI 304 with round holes mesh
Hole diameter 1,5mm up to DN≤150, 2,0mm above
With threaded drain (from 1/2" to 1" depending on the sizes)
WRAS compliant

PN16

Free of CE marking for DN≤300 (cat. according to Art. 4.3 Dir. 2014/68/EU)

Working conditions

- Suitable for: water, -10°C to +110°C
below 0°C only for water with added antifreeze fluids
- Not suitable for: gases group 1 & 2, liquids group 1 (Dir. 2014/68/EU)



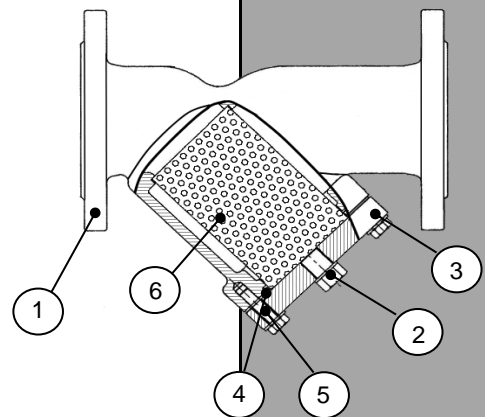
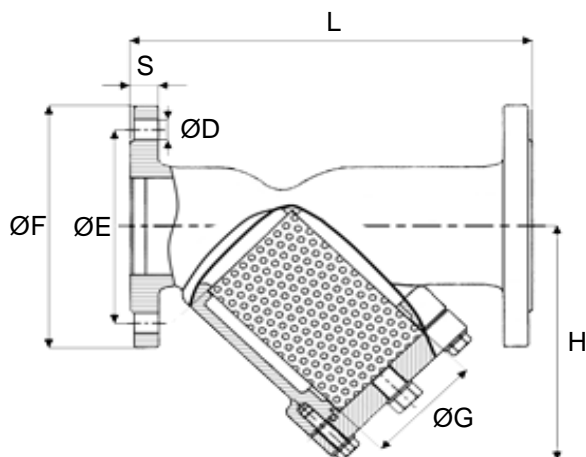
PARTLIST

N.	Part	Material	Norm
1	Body	Cast Iron ²	GG25 ³
2	Drain cap	Ductile iron ¹	GGG40
3	Bonnet	Cast Iron	GG25
4	Gasket	EPDM	-
5	Nuts	Carbon steel	-
6	Strainer	Stainless steel SS304	X5CrNi18.10

¹Brass for DN≥450

²Ductile Iron for DN≥450

³GGG40 for DN≥450



241031

DIMENSIONS

DN	ØF [mm]	ØE [mm]	S [mm]	NxØD [mm]	L [mm]	H [mm]	ØG [mm]	K _v [m ³ /h]	Wgt [kg]
015	95	65	14	4x14	130	76	25	5.3	2,5
020	105	75	16	4x14	150	83	25	9.5	3,2
025	115	85	16	4x14	160	100	30	16.5	3,9
032	140	100	18	4x18	180	118	37	20	6,2
040	150	110	18	4x18	200	128	44	33	7,5
050	165	125	18	4x18	230	147	54	54	8
065	185	145	18	4x18	290	168	68	95	13
080	200	160	20	8x18	310	195	88	140	16
100	220	180	20	8x18	350	224	106	201	22
125	250	210	22	8x18	400	255	133	340	31
150	285	240	22	8x23	480	300	158	526	44
200	340	295	24	12x23	600	370	208	870	78
250	405	355	30	12x27	730	435	258	1260	126
300	460	410	30	12x27	850	502	308	1735	165
350	520	470	36	16x27	980	595	342	2673	294
400	580	525	38	16x30	1100	673	412	3735	388
450	640	585	40	20x31	1200	777	464	4986	510
500	715	650	42	20x34	1250	825	514	6165	640
600	840	770	48	20x37	1450	944	614	8352	1072

ACCESSORIES SPARE STRAINER

COD	DN	Ø1,5mm DN≤150 Ø2,0mm DN>150	Ø1mm	Ø0,8mm
F8951I015.842	015	-	-	-
F8951I020.842	020	-	-	-
F8951I025.842	025	-	KFF895025.3071	KFF895025.3072
F8951I032.842	032	-	KFF895032.3071	KFF895032.3072
F8951I040.842	040	-	KFF895040.3071	KFF895040.3072
F8951I050.842	050	KFF895050.2025	KFF895050.3071	KFF895050.3072
F8951I065.842	065	KFF895065.2025	KFF895065.3071	KFF895065.3072
F8951I080.842	080	KFF895080.2025	KFF895080.3071	KFF895080.3072
F8951I100.842	100	KFF895100.2025	KFF895100.3071	KFF895100.3072
F8951I125.842	125	KFF895125.2025	KFF895125.3071	KFF895125.3072
F8951I150.842	150	KFF895150.2025	KFF895150.3071	KFF895150.3072
F8951I200.842	200	KFF895200.2025	KFF895200.3071	KFF895200.3072
F8951I250.842	250	KFF895250.2025	KFF895250.3071	KFF895250.3072
F8951I300.842	300	KFF895300.2025	KFF895300.3071	KFF895300.3072
F8951I350.842	350	KFF895350.2025	-	-
F8951I400.842	400	KFF895400.2025	-	-
F8951I450.842	450	-	-	-
F8951I500.842	500	-	-	-
F8951I600.842	600	-	-	-



Via Circonvallazione, 10
13018 Valduggia (VC), Italy
Tel: +39 0163 47891
Fax: +39 0163 47895
www.vironline.com