

8090

Cast Iron Piston Check Valve



Via Circonvallazione, 10
13018 Valduggia (VC), Italy
Tel: +39 0163 47891
Fax: +39 0163 47895
www.vironline.com



Cast iron piston check valve
Flanged PN16 according to EN1092-2 (ex DIN2533)
Lengths according to EN558-1 series 1 (ex DIN3202 F1)
TR CU 010 compliant

PN16

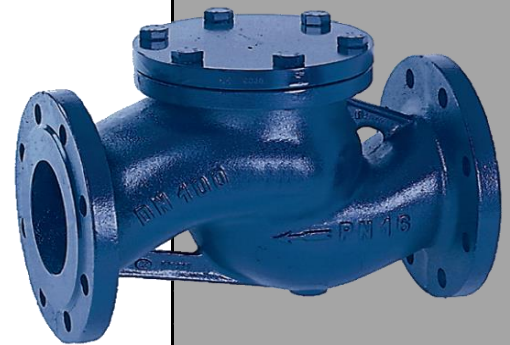
-10°C-120°C	120°C-200°C	200°C-250°C	250°C-300°C
Max 16,0bar	Max 12,8bar	Max 11,2bar	Max 9,6bar

Free of CE marking for DN≤25 (cat. according to Art. 4.3 Dir. 2014/68/EU)

Working conditions

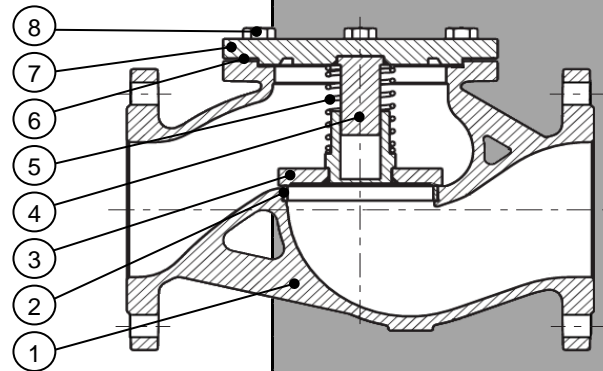
- Suitable for: water, -10°C to +300°C

EAC
CE



PARTLIST

N.	Part	Material	Norm
1	Body	Cast iron	EN-GJL-250
2	Seat	Stainless steel	X12Cr13
3	Disc	Stainless steel	X20Cr13
4	Stem	Stainless steel	X20Cr13
5	Spring	Stainless steel	X17CrNi16-2
6	Gasket	Graphite + St. Steel	-
7	Bonnet	Cast iron	EN-GJL-250
8	Screw	Carbon steel	8.8 A2A



DIMENSIONS

DN	ØF [mm]	ØE [mm]	NxØD [mm]	L [mm]	H [mm]	Weight [kg]
015	95	65	4x14	130	56	2,1
020	105	75	4x14	150	56	2,7
025	115	85	4x14	160	67	3,8
032	140	100	4x19	180	76	5,5
040	150	110	4x19	200	89	7,4
050	165	125	4x19	230	96	9,5
065	185	145	4x19	290	104	15
080	200	160	8x19	310	124	20
100	220	180	8x19	350	161	29
125	250	210	8x19	400	174	41
150	285	240	8x23	480	197	66
200	340	295	12x23	600	248	111
250	405	355	12x27	730	295	196
300	460	410	12x27	850	315	302

