

777

Steel Wafer Check Valve



Via Circonvallazione, 10
13018 Valduggia (VC), Italy
Tel: +39 0163 47891
Fax: +39 0163 47895
www.vironline.com



Steel check valve
Wafer type suitable for EN1092 PN16 or PN10 flanges
TR CU 010 compliant

PN16
Free of CE marking (cat. according to Art. 4.3 Dir. 2014/68/EU)

Working conditions

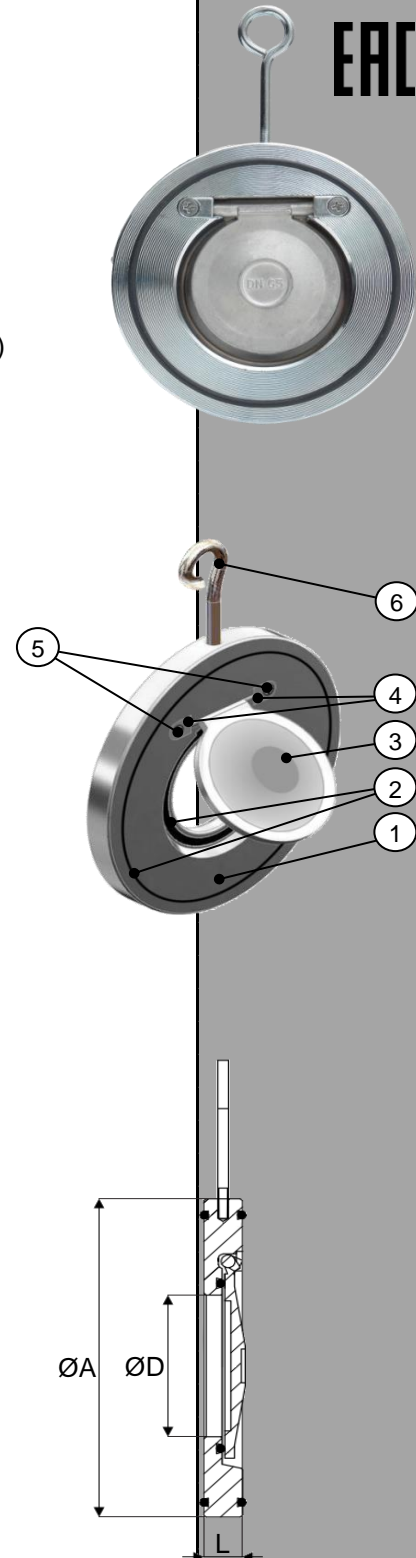
- Suitable for: water, 0°C to +100°C
- Not suitable for: gases group 1 & 2, liquids group 1 (Dir. 2014/68/EU)

PARTLIST

N.	Part	Material	Norm
1	Body	Steel	WCB
2	O-ring	EPDM	-
3	Disc	Stainless steel	SS304
4	Screw	Steel	WCB
5	Cap	Steel	WCB
6	Eye bolt	Steel	WCB

DIMENSIONS

DN	ØA [mm]	L [mm]	ØD [mm]	K _v [m ³ /h]	Weight [g]
040	94	14	22	21,7	700
050	107	14	32	40,5	900
065	127	14	40	75	1200
080	142	14	54	137	1500
100	162	18	70	212,0	2400
125	192	18	92	336,0	3400
150	218	20	114	533	4200
200	273	22	154	1078	7500
250	329	26	200	1897	13800
300	384	28	235	2624	21300



230203