

765S

Spring-loaded Stainless Steel Check Valve



Via Circonvallazione, 10
13018 Valduggia (VC), Italy
Tel: +39 0163 47891
Fax: +39 0163 47895
www.vironline.com



Spring-loaded stainless steel check valve
Threaded F/F (ISO 7/1 Rp)
To be installed horizontally or vertically
Minimum opening pressure 0,1bar

PN40

For DN≤50: max 40bar up to 85°C, max 16bar above
For DN≥65: max 40bar up to 85°C, max 10bar above
Free of CE marking (cat. according to Art. 4.3 Dir. 2014/68/EU)

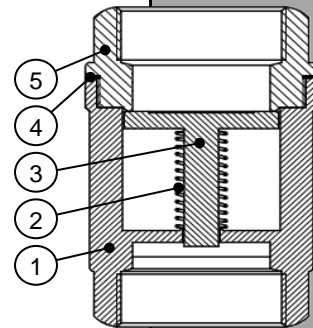
Working conditions

- Suitable for: water, -20°C to +180°C
below 0°C only for water with added antifreeze fluids
- Not suitable for: gases group 1 & 2, liquids group 1 (Dir. 2014/68/EU)



PARTLIST

N.	Part	Material	Norm
1	Body	Stainless steel	SS316
2	Spring	Stainless steel	SS316
3	Disc	Stainless steel	SS316
4	Gasket	PTFE	-
5	Fixed End	Stainless steel	SS316



DIMENSIONS

DN	T	D [mm]	P [mm]	L [mm]	Weight [g]
010	3/8"	32	10	51	120
015	1/2"	36	15	58	163
020	3/4"	42	20	67	286
025	1"	49	25	78	437
032	1 1/4"	58	32	92	725
040	1 1/2"	72	38	99	1014
050	2"	82	50	119	1577
065	2 1/2"	114	65	148	2650
080	3"	139	80	160	4100

