

765K

Spring-loaded Brass Check Valve



Via Circonvallazione, 10
13018 Valduggia (VC), Italy
Tel: +39 0163 47891
Fax: +39 0163 47895
www.vironline.com



Spring-loaded brass check valve
Threaded F/F (ISO 7/1 Rp)
Optional stainless steel foot strainer (mesh 1000µm)
To be installed horizontally or vertically
Minimum opening pressure 0,03bar

PN25 for DN≤50
PN16 for DN65 and DN80
PN12 for DN100
Free of CE marking (cat. according to Art. 4.3 Dir. 2014/68/EU)

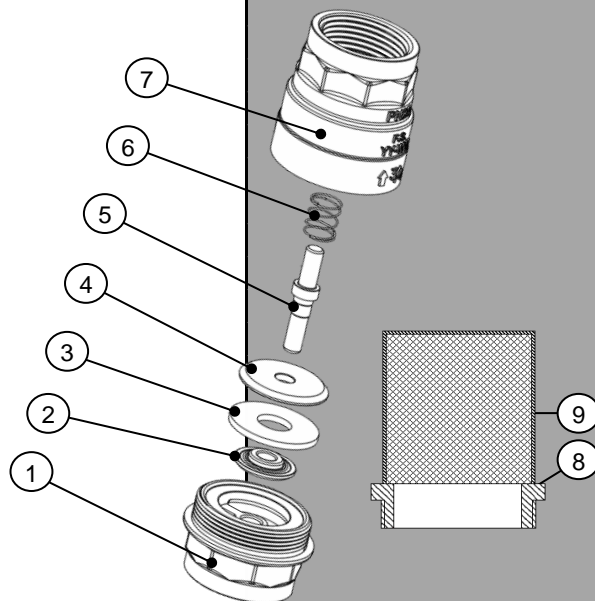
Working conditions

- Suitable for: water, 0°C to +100°C
- Not suitable for: gases group 1 & 2, liquids group 1 (Dir. 2014/68/UE)



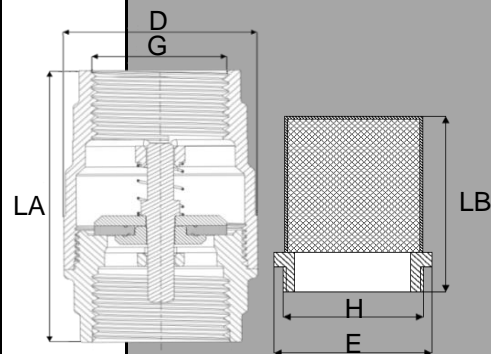
PARTLIST

| N. | Part | Material | Norm |
|----|----------------|-----------------|----------------|
| 1 | Fixed End | Brass | EN12165 CW617N |
| 2 | Retaining disk | Brass | EN12164 CW617N |
| 3 | Gasket | EPDM Perox | - |
| 4 | Shutter disk | Brass | EN12164 CW617N |
| 5 | Stem | Brass | EN12164 CW617N |
| 6 | Spring | Stainless steel | AISI 302 |
| 7 | Body | Brass | EN12165 CW617N |
| 8 | Threaded end | Polyamide | - |
| 9 | Strainer | Stainless steel | AISI 304 |



DIMENSIONS

| DN | G | D [mm] | LA [mm] | Str. wgt [g] | K _v [m ³ /h] | H | E [mm] | LB [mm] | Str. wgt [g] |
|-----|--------|--------|---------|--------------|------------------------------------|--------|--------|---------|--------------|
| 010 | 3/8" | 26,2 | 45,1 | 87 | 1,86 | | | | |
| 015 | 1/2" | 30,4 | 54,5 | 123 | 3,37 | 1/2" | 28 | 50 | 7 |
| 020 | 3/4" | 37,2 | 59,3 | 192 | 6,46 | 3/4" | 33 | 56 | 11 |
| 025 | 1" | 45,2 | 68,5 | 299 | 10,7 | 1" | 41 | 58 | 20 |
| 032 | 1 1/4" | 56,8 | 76,9 | 481 | 22,7 | 1 1/4" | 50 | 69 | 25 |
| 040 | 1 1/2" | 65,2 | 81,8 | 627 | 31,8 | 1 1/2" | 55 | 78 | 35 |
| 050 | 2" | 81,9 | 97,5 | 999 | 45,2 | 2" | 67 | 96 | 45 |
| 065 | 2 1/2" | 107,4 | 126,8 | 2120 | 75 | 2 1/2" | 86 | 98 | 75 |
| 080 | 3" | 125,8 | 143,3 | 3120 | 93,8 | 3" | 100 | 112 | 125 |



241108