

# 765K

Spring-loaded Brass Check Valve



Via Circonvallazione, 10  
13018 Valduggia (VC), Italy  
Tel: +39 0163 47891  
Fax: +39 0163 47895  
www.vironline.com



Spring-loaded brass check valve  
Threaded F/F (ISO 7/1 Rp)  
Optional stainless steel foot strainer (mesh 1000µm)  
To be installed horizontally or vertically  
Minimum opening pressure 0,03bar

PN25 for DN≤50  
PN16 for DN65 and DN80  
PN12 for DN100  
Free of CE marking (cat. according to Art. 4.3 Dir. 2014/68/EU)

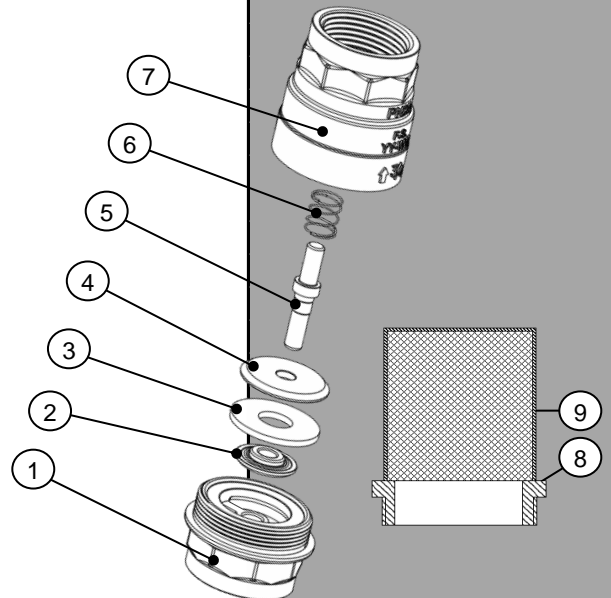
### Working conditions

- Suitable for: water, 0°C to +100°C
- Not suitable for: gases group 1 & 2, liquids group 1 (Dir. 2014/68/UE)



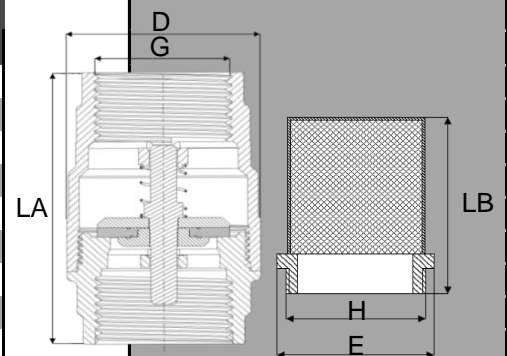
## PARTLIST

N.	Part	Material	Norm
1	Fixed End	Brass	EN12165 CW617N
2	Retaining disk	Brass	EN12164 CW617N
3	Gasket	EPDM Perox	-
4	Shutter disk	Brass	EN12164 CW617N
5	Stem	Brass	EN12164 CW617N
6	Spring	Stainless steel	AISI 302
7	Body	Brass	EN12165 CW617N
8	Threaded end	Polyamide	-
9	Strainer	Stainless steel	AISI 304



## DIMENSIONS

DN	G	D	LA	Str. wgt	K <sub>v</sub>	H	E	LB	Str. wgt
		[mm]	[mm]	[g]	[m <sup>3</sup> /h]		[mm]	[mm]	[g]
010	3/8"	26,2	45,1	87	1,86				
015	1/2"	30,4	54,5	123	3,37	1/2"	28	50	7
020	3/4"	37,2	59,3	192	6,46	3/4"	33	56	11
025	1"	45,2	68,5	299	10,7	1"	41	58	20
032	1 1/4"	56,8	76,9	481	22,7	1 1/4"	50	69	25
040	1 1/2"	65,2	81,8	627	31,8	1 1/2"	55	78	35
050	2"	81,9	97,5	999	45,2	2"	67	96	45
065	2 1/2"	107,4	126,8	2120	75	2 1/2"	86	98	75
080	3"	125,8	143,3	3120	93,8	3"	100	112	125
100	4"	164,0	175,3	5593	100	4"	128	131	175



240704