

5021

Full Port Bronze Valve



Via Circonvallazione, 10
13018 Valduggia (VC), Italy
Tel: +39 0163 47891
Fax: +39 0163 47895
www.vironline.com



Full port bronze ball valve
Press-fit/Threaded M
(V profile, European copper or steel tubing / ISO 228/1)
Design according to MSS-SP110
Air testing according to EN12266-1
Blow-out proof stem, djustable packing
With handle or butterfly
VA and TR CU 010 compliant
Optional GDV compliant version available

PN16 (max 16bar up to 85°C, max 10bar at 120°C)
Free of CE marking (cat. according to Art. 4.3 Dir. 2014/68/EU)

Working conditions

- Suitable for: water, 0°C to +120°C
- Suitable for: air, -10°C to +120°C
- Not suitable for: gases and liquids group 1 (Dir. 2014/68/EU)

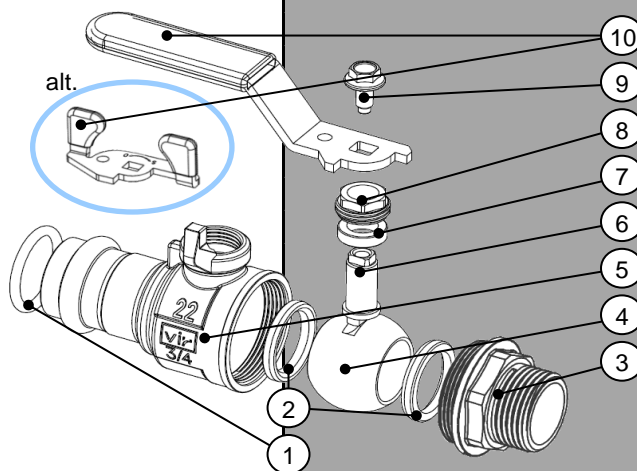


PARTLIST

N.	Part	Material	Norm
1	O-ring	EPDM Perox	-
2	Seat	PTFE	-
3	Fixed end	Bronze	EN1982 CC491K
4	Ball	Chromium pl. brass ¹	EN12165 CW617N
5	Body	Bronze	EN1982 CC491K
6	Stem	DZR brass	EN12164 CW602N
7	Packing ring	PTFE	-
8	Packing nut	Brass	EN12164 CW617N
9	Screw	Geomet steel	EN10025 Fe42
10	Handle	Geomet steel ²	EN10111 Fe P11
10 _{alt}	Butterfly	Geomet steel ²	EN10111 Fe P11

¹PTFE coated ball for GDV version

²With black PVC cover



DIMENSIONS

DN	TA [mm]	TB [mm]	A [mm]	C [mm]	D [mm]	P [mm]	HL [mm]	L [mm]	HF [mm]	F [mm]	K _v [m ³ /h]	Weight ¹ [g]
015	½"	15,3	74	22	12,0	14	54,0	91,5	54,0	62	15,7	250 / 237
018	½"	18,3	75	22	12,0	15	54,0	91,5	54,0	62	15,7	260 / 247
022	¾"	22,3	88	23	13,0	20	57,5	91,5	57,5	62	30,8	370 / 357
028	1"	28,4	99	25	14,5	25	65,3	126,5	69,3	83	49,3	580 / 556
035	1¼"	35,3	112	31	15,0	32	70,8	126,5	74,8	83	79,0	900 / 876
042	1½"	42,4	132	36	17,0	40	83,3	141,5	93,3	110	125,3	1570 / 1542
054	2"	54,4	154	44	17,5	50	91,0	141,5	101,0	110	224,2	2490 / 2462

¹Weight for lever handle version / weight for butterfly handle version

