

# 5020LN

Full Port Long Neck Bronze Ball Valve



Via Circonvallazione, 10  
13018 Valduggia (VC), Italy  
Tel: +39 0163 47891  
Fax: +39 0163 47895  
www.vironline.com



Full port long neck bronze ball valve  
Press-fit/Press-fit (V and M profiles, European copper or steel tubing)  
Design according to MSS-SP110  
Air testing according to EN12266-1  
Adjustable packing  
With handle or butterfly  
VA and TR CU 010 compliant  
Optional GDV compliant version available

PN16 (max 16bar up to 85°C, max 10bar at 120°C)  
Free of CE marking (cat. according to Art. 4.3 Dir. 2014/68/EU)

Working conditions

- Suitable for: water, 0°C to +120°C
- Suitable for: air, -10°C to +120°C
- Not suitable for: gases and liquids group 1 (Dir. 2014/68/EU)

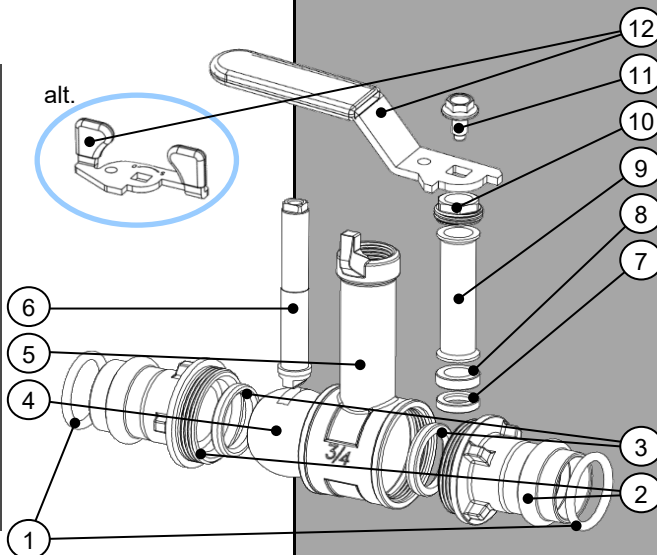


## PARTLIST

N.	Part	Material	Norm
1	O-ring	EPDM Perox	-
2	Fixed end	Bronze	EN1982 CC491K
3	Seat	PTFE	-
4	Ball	Chromium pl. brass <sup>1</sup>	EN12165 CW617N
5	Body	Bronze	EN1982 CC491K
6	Stem	DZR brass	EN12164 CW602N
7	Antifriction ring	DZR Brass	EN12164 CW602N
8	Packing ring	PTFE	-
9	Packing nut ext.	Brass	EN12164 CW617N
10	Packing nut	Brass	EN12164 CW617N
11	Screw	Geomet steel	EN10025 Fe42
12	Handle	Geomet steel <sup>2</sup>	EN10111 Fe P11
12 <sub>alt</sub>	Butterfly	Geomet steel <sup>2</sup>	EN10111 Fe P11

<sup>1</sup>PTFE coated ball for GDV version

<sup>2</sup>With black PVC cover

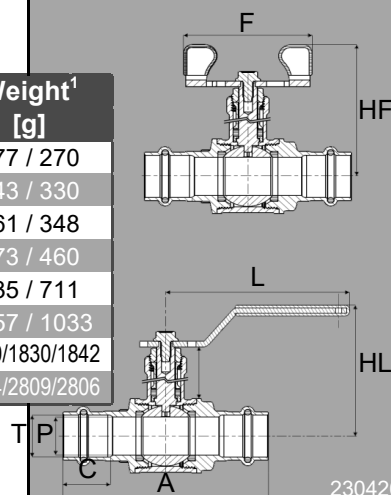


## DIMENSIONS

DN	T	A <sup>2</sup>	C <sup>2</sup>	P	H	HL	L	HF	F	K <sub>v</sub>	Weight <sup>1</sup>
	[mm]	[mm]	[mm]	[mm]	[mm]	[mm]	[mm]	[mm]	[mm]	[m <sup>3</sup> /h]	[g]
012	12,3	78	18	10	59	95,5	81,0	101,0	52	5,8	277 / 270
015	15,3	85	22	14	59	98,2	91,5	98,2	62	15,7	343 / 330
018	18,3	87	22	15	59	98,2	91,5	98,2	62	15,73	361 / 348
022	22,3	100	23	20	59	101,7	91,5	101,7	62	30,79	473 / 460
028	28,4	116	25	25	64	110,6	126,5	114,6	83	49,33	735 / 711
035	35,3	128	31	32	64	116,0	126,5	120,0	83	78,98	1057 / 1033
042	42,4	152/151,4	36/30	40	72	132,3	141,5	142,3	110	125,3	1870/1830/1842
054	54,4	177,4/170,8	44/35	50	72	140,0	141,5	150,0	110	224,2	2834/2809/2806

<sup>1</sup>Weight for lever handle V version / weight for lever handle M version / weight for butterfly handle version

<sup>2</sup>Version V measure / version M measure



230426

